

THIS DRAWING IS UNPUBLISHED. RELEASED FOR PUBLICATION
 © COPYRIGHT - BY TYCO ELECTRONICS CORPORATION. ALL RIGHTS RESERVED.

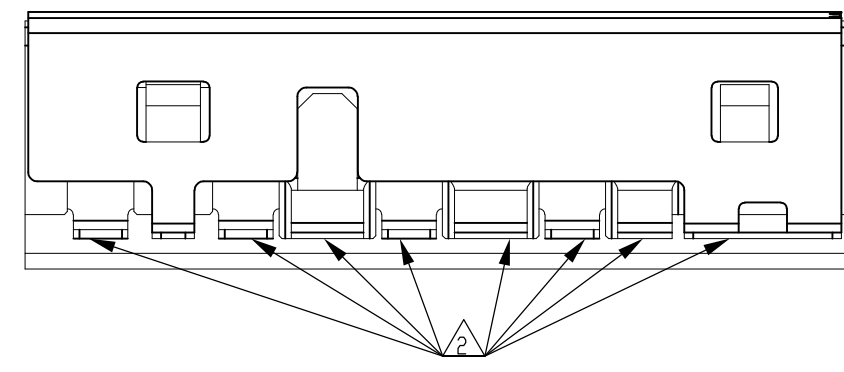
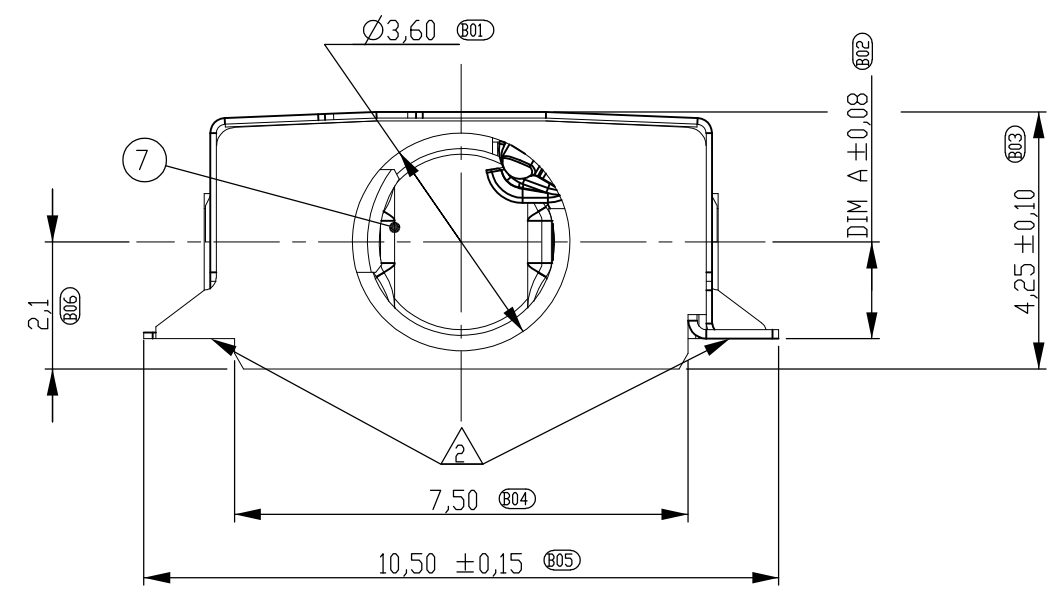
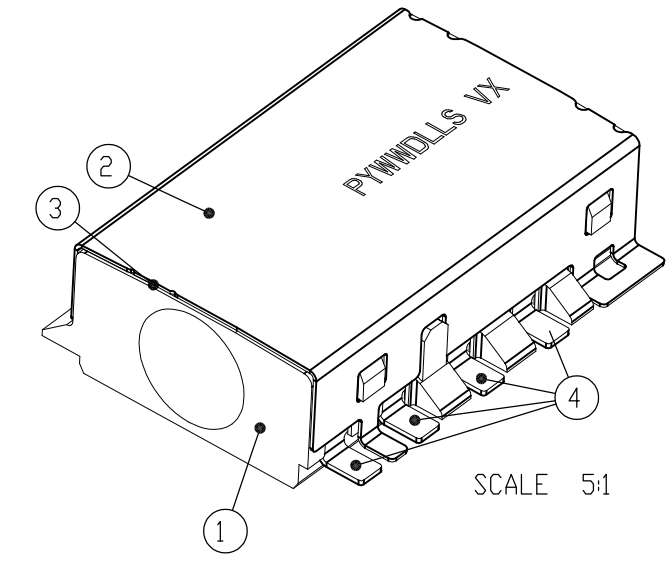
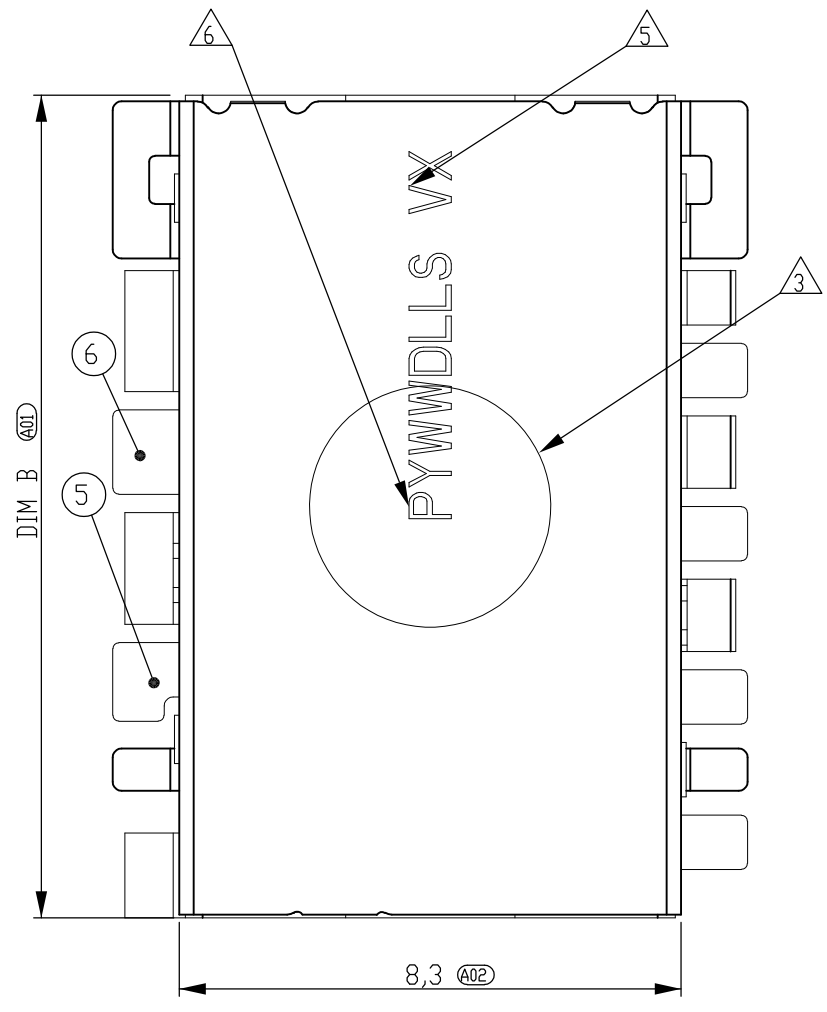
LOC H DIST -

REVISIONS				
P	LTR	DESCRIPTION	DATE	APVD
	A	REVISED<ECR-16-002837>	28JUN2016	A.X H.W

PRELIMINARY PART
 NOT RELEASED FOR PRODUCTION
 THIS PRODUCT HAS NOT COMPLETED
 VALIDATION TESTING

NOTES:

- 1 PART NUMBER 2173377-6 AS SHOWN.
- 2 COPLANARITY OF SOLDER SURFACES AND HOUSING NOTCHES 0,08 MAX.
- 3 PICK AND PLACE AREA.
- 4 PLATING:
 UNDER LAYER: 1,2 µm MIN. NICKEL
 CONTACT AREA: 0,1 µm MIN. GOLD
 SOLDER AREA: FLASH GOLD or 2,0 µm MIN. TIN.
- 5 VERSION CODE.
- 6 MARKING: P=PRODUCTION LOCATION, Y=YEAR, WW=WEEK, D=DAY, LL=PRODUCTION LINE, S=SHIFT.
- 7 PACKAGING IN EIA 481-D; 850 PRODUCTS PER REEL
 REEL DIMENSION: 380 DIA.



OBSOLETE

PART NUMBER	DIM A	DIM B	REMARK
2173377-8	1,40		MIDMOUNT CONNECTOR
2173377-7	1,50		MIDMOUNT CONNECTOR
2173377-6	1,60	13,6	MIDMOUNT CONNECTOR
2173377-5	1,70		MIDMOUNT CONNECTOR
2173377-4	1,80		MIDMOUNT CONNECTOR
2173377-3	1,90		MIDMOUNT CONNECTOR
2173377-2	2,00		MIDMOUNT CONNECTOR
2173377-1	2,15	13,6	TOP MOUNT CONNECTOR

DIM "B" 13,6 MIN - 14,5 MAX

ITEM NO.	DESCRIPTION	MATERIAL	FINISH
7	EXTRACTION SPRING	STAINLESS STEEL	-
6	SWITCH CONTACT	CU ALLOY	NOTE 4
5	PLUG DETECTION CONTACT	CU ALLOY	NOTE 4
4	AV SIGNAL CONTACT	CU ALLOY	NOTE 4
3	FOAM TAPE	MULTI LAYER	-
2	SHIELD	STAINLESS STEEL	NOTE 4
1	HOUSING	PA	-

THIS DRAWING IS A CONTROLLED DOCUMENT.		DWN J. Hoek 12 DEC 2011
DIMENSIONS: mm		CHK S. Zwartkruis 12 DEC 2011
TOLERANCES UNLESS OTHERWISE SPECIFIED:		APVD D. Haberstadt 12 DEC 2011
0 PLC	±0,20	PRODUCT SPEC 108-19439
1 PLC	±0,10	APPLICATION SPEC -
2 PLC	±0,05	WEIGHT 0,65 g
3 PLC	±-	CUSTOMER DRAWING
4 PLC	±-	SCALE 8:1
ANGLES	±2	SHEET 1 OF 2
MATERIAL -	FINISH -	REV A

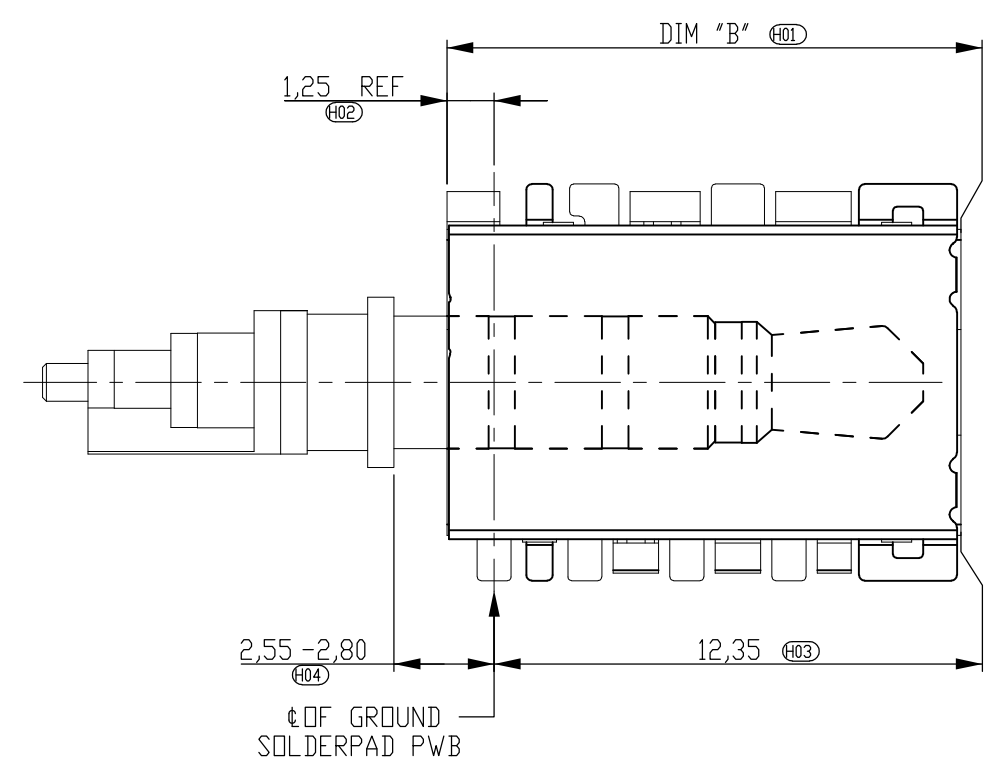
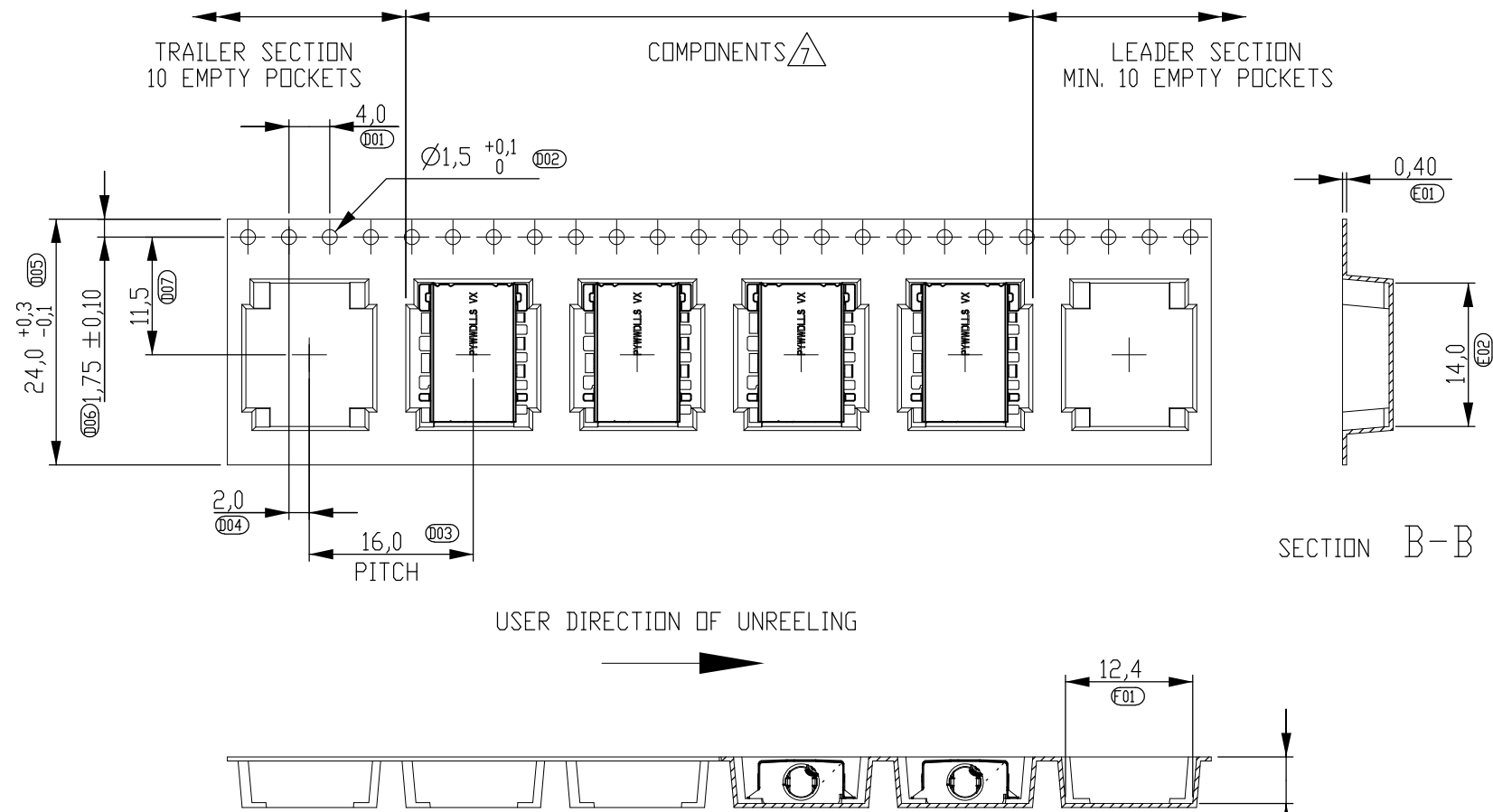
TE TE Connectivity

NAME 3.5 mm AV SMD SPLASH PROOF SCALABLE HEIGHT

SIZE A3 CAGE CODE 00779 DRAWING NO C-2173377 RESTRICTED TO -

THIS DRAWING IS UNPUBLISHED. RELEASED FOR PUBLICATION
 © COPYRIGHT - BY TYCO ELECTRONICS CORPORATION. ALL RIGHTS RESERVED.

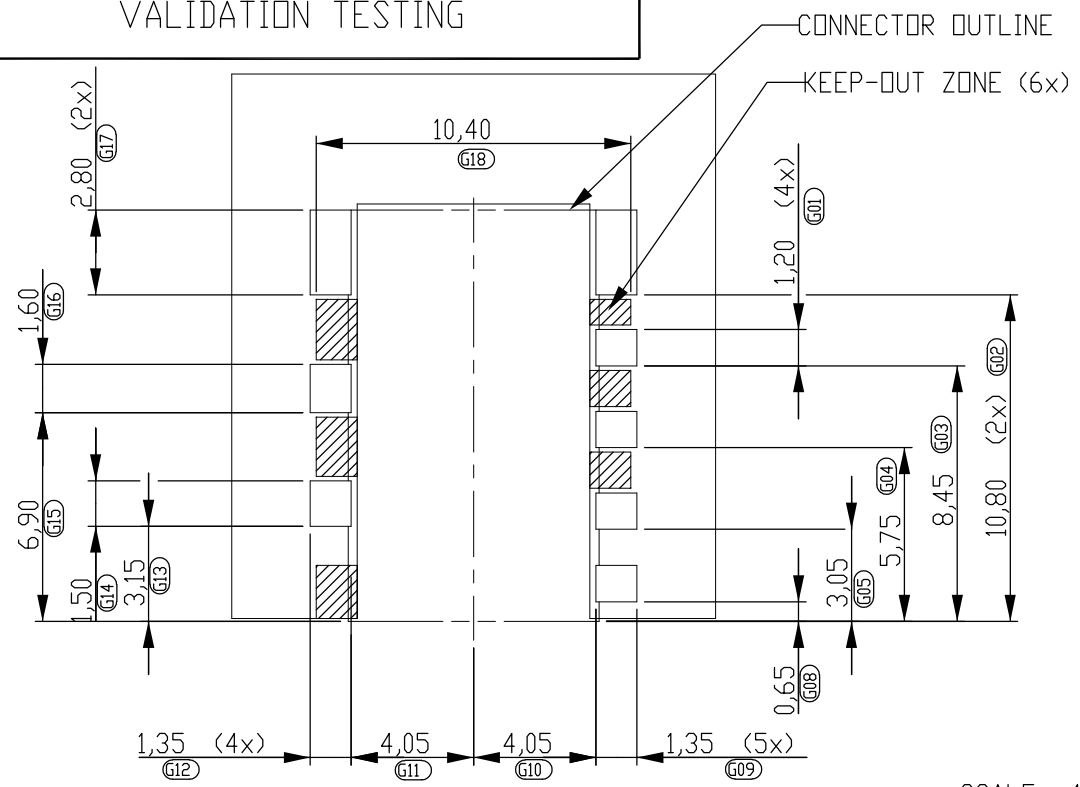
LOC	DIST	REVISIONS					
H	-	P	LTR	DESCRIPTION	DATE	DWN	APVD
		-		SEE SHEET 1	-	-	-



PRELIMINARY PART
 NOT RELEASED FOR PRODUCTION
 THIS PRODUCT HAS NOT COMPLETED
 VALIDATION TESTING

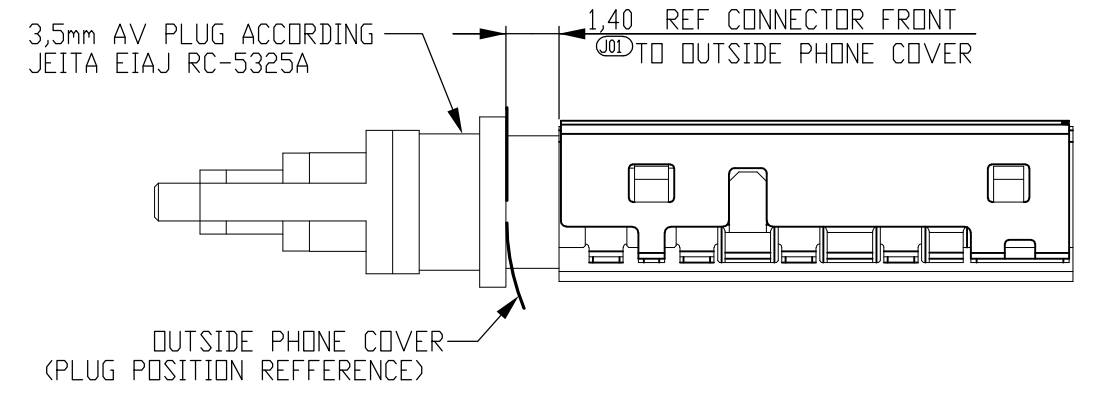
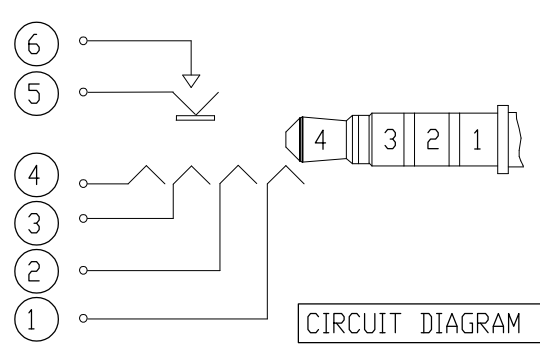
SCALE 3:2 SECTION A-A

PACKAGING



RECOMMENDED PWB LAYOUT

SCALE 4:1



SCALE 5:1
 PLUG POSITION REFERENCE

THIS DRAWING IS A CONTROLLED DOCUMENT.

DIMENSIONS:	TOLERANCES UNLESS OTHERWISE SPECIFIED:
mm	
0 PLC	±0,20
1 PLC	±0,10
2 PLC	±0,05
3 PLC	±
4 PLC	±
ANGLES	±2
MATERIAL	FINISH
-	-

DWN	12 DEC 2011
J. Hoek	
CHK	12 DEC 2011
S. Zwartkruis	
APVD	12 DEC 2011
D. Haberstadt	
PRODUCT SPEC	
APPLICATION SPEC	
WEIGHT	
RESTRICTED CUSTOMER	

TE Connectivity		NAME		RESTRICTED TO	
3.5 mm AV SMD MIDMOUNT SCALABLE HEIGHT		NOK			
SIZE	CAGE CODE	DRAWING NO	RESTRICTED TO		
A3	00779	C--	NOK		
SCALE	SHEET	OF	REV		
5:1	2	2	A		

X-ON Electronics

Largest Supplier of Electrical and Electronic Components

Click to view similar products for [Phone Connectors](#) category:

Click to view products by [TE Connectivity](#) manufacturer:

Other Similar products are found below :

[M444B](#) [6J1041A](#) [R4F](#) [128PKG](#) [RJ3VI](#) [RJ3VI-S](#) [RJ5VI](#) [E12BPKG](#) [ECP4PKG](#) [161-3300N-EX](#) [161-3502L-E](#) [161-7900HS-EX](#) [163-157J-E](#)
[MT333X](#) [171-0350-EX](#) [171-105AC-EX](#) [171-3325-EX](#) [171-6435-EX](#) [176S](#) [NC3MG-V](#) [NMJ4HFD2-NW](#) [NP2RX-AU-SILENT-D](#) [NP2X-L-](#)
[D](#) [NRJ4HH-1](#) [NS112BX](#) [NYS228G](#) [NYS352AG](#) [P10834](#) [P2380](#) [P2381X](#) [P2411X](#) [P2412](#) [P2724](#) [9144](#) [S2674](#) [163-156N-2-E](#) [163-158N-2-](#)
[E](#) [171-0250-EX](#) [171-3308-EX](#) [171-3500-E](#) [171-PA3191-2-E](#) [ST-3141-5N](#) [229](#) [2501FT](#) [CMT335](#) [M10662](#) [330Q](#) [RJ5VI-S](#) [40116](#) [TM1R-](#)
[AU](#)