

THIS DRAWING IS UNPUBLISHED.

RELEASED FOR PUBLICATION

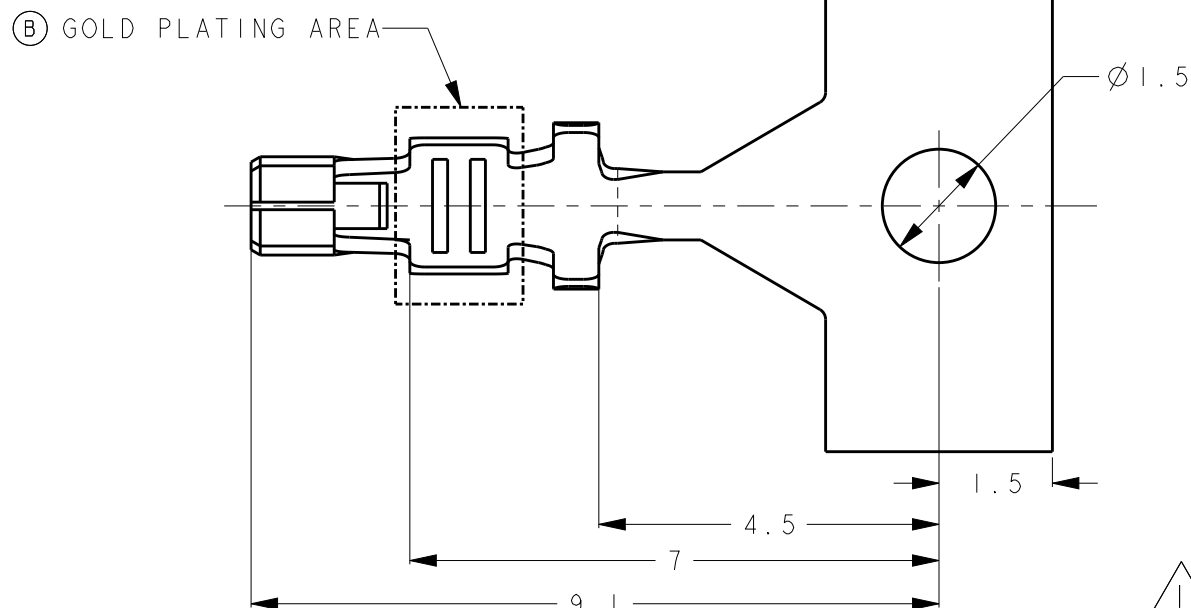
2011

© COPYRIGHT 2011 BY TE Connectivity

ALL RIGHTS RESERVED.

LOC	DIST
-	-

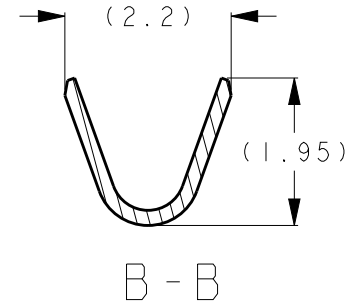
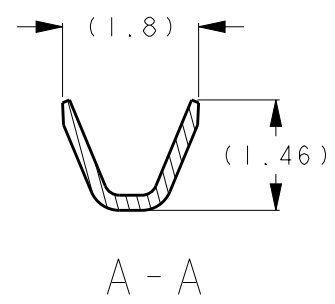
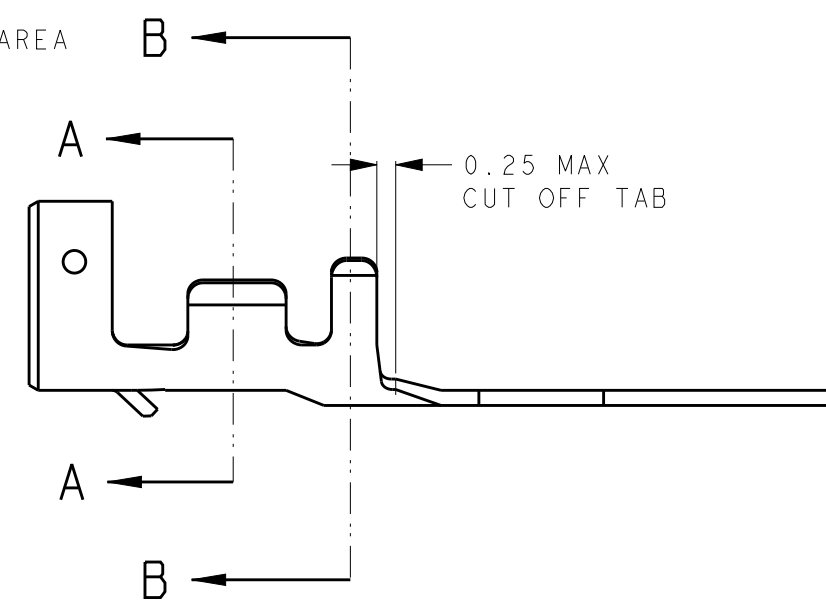
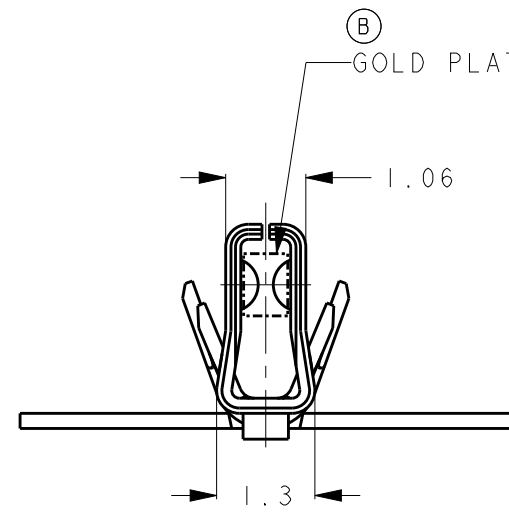
REVISIONS					
P	LTR	DESCRIPTION	DATE	DWN	APVD
	A	RELEASED	11JUL2011	T.S	N.Y
	B	ECR-16-011029	03AUG2016	T.G	N.Y




1 MATERIAL: COPPER ALLOY

2 FINISH: OVER NICKEL PLATING 0.00127mm MINIMUM
CONTACT AREA AND CRIMPING AREA 0.0002mm MINIMUM GOLD PLATING

3. APPLICABLE WIRE: AWG#26 TO #22 (INS DIA 1.0mm TO 1.2mm)



2174065-4
PART NUMBER

THIS DRAWING IS A CONTROLLED DOCUMENT.		DWN T. SAMI 11JUL2011	 TE Connectivity	
DIMENSIONS: mm		CHK N. YAMASAKI 11JUL2011		
TOLERANCES UNLESS OTHERWISE SPECIFIED:		APVD N. YAMASAKI 11JUL2011	NAME REC. CONTACT MICRO MOTOR PLUS	
0 PLC ± 1 PLC ±0.3 2 PLC ± 3 PLC ±3° 4 PLC ± ANGLES ±		PRODUCT SPEC 108-5864	SIZE A3	
MATERIAL 1		APPLICATION SPEC 114-5335	CAGE CODE 00779	DRAWING NO C-2174065
FINISH 2		WEIGHT 0.069g/ea	RESTRICTED TO -	
		CUSTOMER DRAWING	SCALE 10:1	SHEET 1 OF 1
			REV B	

X-ON Electronics

Largest Supplier of Electrical and Electronic Components

Click to view similar products for [Heavy Duty Power Connectors](#) category:

Click to view products by [TE Connectivity](#) manufacturer:

Other Similar products are found below :

[1424439](#) [1424438](#) [09330062652](#) [2-8675P1](#) [605601-1](#) [6340G1](#) [6341G1](#) [6360G1](#) [6373G1](#) [6374g2](#) [6396G1](#) [647757-1](#) [66394-4](#) [6643411-1](#)
[6646058-2](#) [6646137-1](#) [6646138-1](#) [6646348-1](#) [6646479-1](#) [6646608-1](#) [6646786-1](#) [6646940-1](#) [6651091-1](#) [6651525-1](#) [6651529-1](#) [6651778-1](#)
[6651788-1](#) [696465-1](#) [696475-1](#) [73000005059](#) [73000005349](#) [73000005642](#) [73080255059](#) [73080965046](#) [765-15-0080A](#) [765-16-0080B](#)
[789.700-44](#) [789.700-54](#) [80-1010](#) [80-9](#) [827381-1](#) [829992-1](#) [902-77-02113](#) [PL00U-301-10D10](#) [PM103MOOLOO](#) [PM16S1620S32-50](#)
[PM212MOOLOO](#) [PM309FOOLOO](#) [PM324FOOLCH](#) [PMHPAF11S03](#)