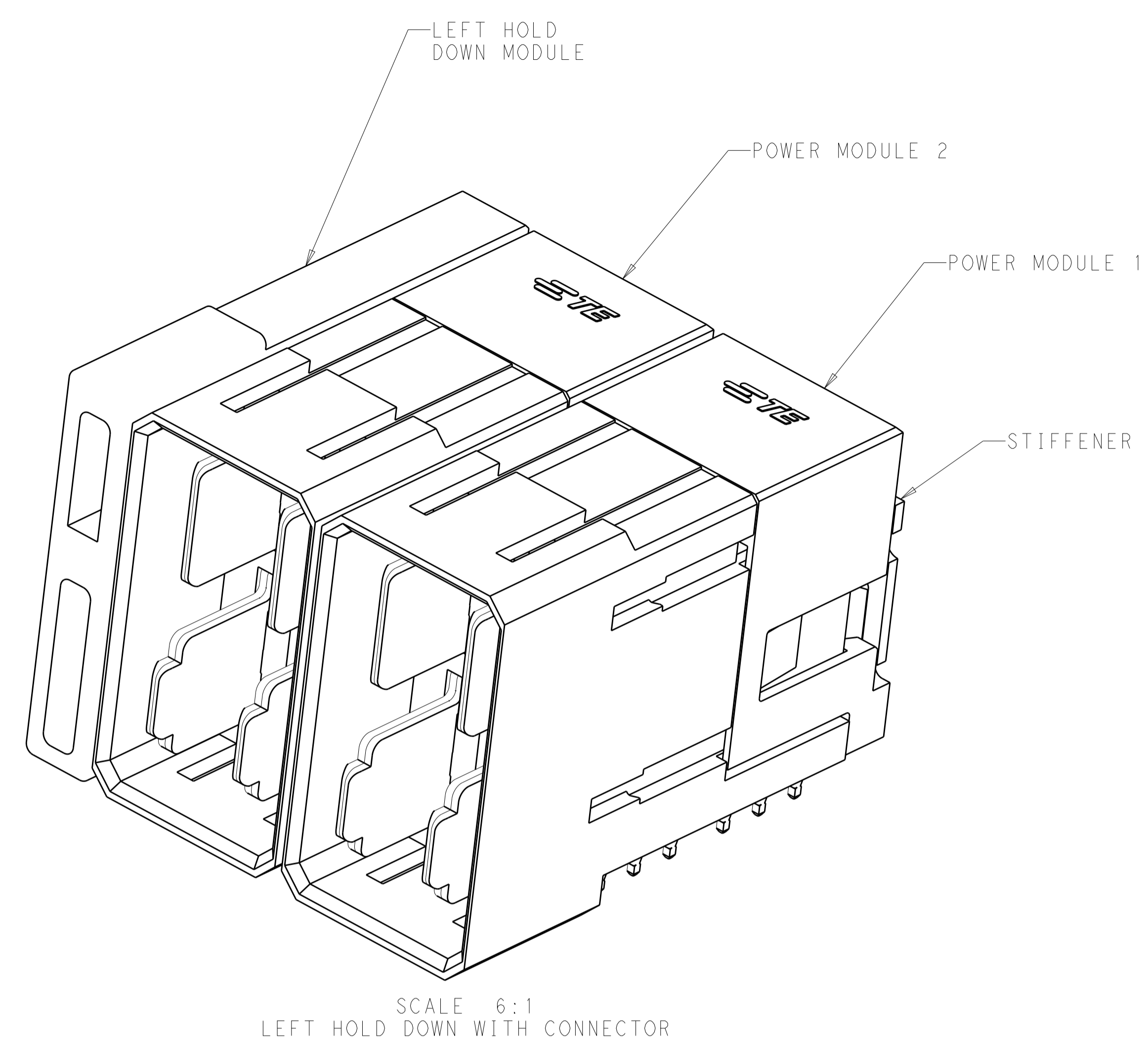


LOC		DIST		REVISIONS			
GP	00	P	LTN	DESCRIPTION	DATE	DWN	APVD
		A		INITIAL RELEASE	24MAY2012	LW	AC
		A1		REV PER ECR-12-010636	19JUN2012	LW	AC



SCALE 6:1
LEFT HOLD DOWN WITH CONNECTOR

- NOTES:
- 1. MATERIALS:
HOUSING: HIGH TEMP. THERMOPLASTIC GLASS/MINERAL FILLED UL94V-0
TERMINAL: COPPER ALLOY
 - 2. FINISH:
TIN OPTION-0.76um MIN GOLD AT CONTACT AREA AND
1.27um MIN NICKEL UNDERPLATED OVER ALL
2.54um TIN AT SOLDER TAIL AREA
TIN-LEAD OPTION-0.76um MIN GOLD AT CONTACT AREA AND
1.27um MIN NICKEL UNDERPLATED OVER ALL
2.54um TIN-LEAD AT SOLDER TAIL AREA
 - 3. REFER TO TE'S PRODUCT SPECIFICATION:108-2473 FOR PLATED THROUGH-HOLE SPECIFICATION AND TORQUE FORCE
 - 4. CONNECTOR WERE PACKED BY TRAY
REFER TO TE'S PACKAGING SPECIFICATION:107-97874
 - 5. MATED WITH 2169809-*
 - 6. LASER MARK PART NUMBER AND DATE CODE (YYWWDS) CAN BE AT THE OPPOSITE SIDE
 - 7. ADD 11.40MM FOR EACH ADDITIONAL MODULE
 - 8. REFER TO DOCUMENT NUMBER:2169802 FOR INDIVIDUAL MODULE COMPONENT INFORMATION
 - 9. FIRST POWER MODULE(1#) STARTS FROM THE RIGHT
 - 10. DIMENSION P1&P2 FOR POWER MODULE 1, P3&P4 FOR POWER MODULE 2
 - 11. COMPONENT STAY AWAY ZONE FROM CONNECTOR
 - 12. ALL PARTS ARE SHIPPED WITH A 2-32 AB TYPE SELF-TAPPING SCREW P/N:2057509-2

STATUS	PACKAGING	PLATING TYP	P4	P3	P2	P1	DIM A	NUMBER OF POWER MODULE	PART NUMBER
OBSOLETE			6.90	5.70	6.90	5.70	26.40	2X	7-2180488-0
OBSOLETE			6.90	5.70	5.70	6.90	26.40	2X	6-2180488-9
OBSOLETE			6.90	5.70	5.70	5.70	26.40	2X	6-2180488-8
OBSOLETE			6.90	5.70	6.90	6.90	26.40	2X	6-2180488-7
OBSOLETE			5.70	6.90	6.90	5.70	26.40	2X	6-2180488-6
OBSOLETE			5.70	6.90	5.70	6.90	26.40	2X	6-2180488-5
OBSOLETE			5.70	6.90	5.70	5.70	26.40	2X	6-2180488-4
OBSOLETE			5.70	6.90	6.90	6.90	26.40	2X	6-2180488-3
OBSOLETE			5.70	5.70	6.90	5.70	26.40	2X	6-2180488-2
OBSOLETE			5.70	5.70	5.70	6.90	26.40	2X	6-2180488-1
OBSOLETE			5.70	5.70	5.70	5.70	26.40	2X	6-2180488-0
OBSOLETE			5.70	5.70	6.90	6.90	26.40	2X	5-2180488-9
OBSOLETE			6.90	6.90	6.90	5.70	26.40	2X	5-2180488-8
OBSOLETE			6.90	6.90	5.70	6.90	26.40	2X	5-2180488-7
OBSOLETE			6.90	6.90	5.70	5.70	26.40	2X	5-2180488-6
OBSOLETE			6.90	6.90	6.90	6.90	26.40	2X	5-2180488-5
OBSOLETE			N/A	N/A	6.90	5.70	15.00	1X	5-2180488-4
OBSOLETE			N/A	N/A	5.70	6.90	15.00	1X	5-2180488-3
OBSOLETE			N/A	N/A	5.70	5.70	15.00	1X	5-2180488-2
OBSOLETE			N/A	N/A	6.90	6.90	15.00	1X	5-2180488-1
ACTIVE			6.90	5.70	6.90	5.70	26.40	2X	2-2180488-0
ACTIVE			6.90	5.70	5.70	6.90	26.40	2X	1-2180488-9
ACTIVE			6.90	5.70	5.70	5.70	26.40	2X	1-2180488-8
ACTIVE			6.90	5.70	6.90	6.90	26.40	2X	1-2180488-7
ACTIVE			5.70	6.90	6.90	5.70	26.40	2X	1-2180488-6
ACTIVE			5.70	6.90	5.70	6.90	26.40	2X	1-2180488-5
ACTIVE			5.70	6.90	5.70	5.70	26.40	2X	1-2180488-4
ACTIVE			5.70	6.90	6.90	6.90	26.40	2X	1-2180488-3
ACTIVE			5.70	5.70	6.90	5.70	26.40	2X	1-2180488-2
ACTIVE			5.70	5.70	5.70	6.90	26.40	2X	1-2180488-1
ACTIVE			5.70	5.70	5.70	5.70	26.40	2X	1-2180488-0
ACTIVE			5.70	5.70	6.90	6.90	26.40	2X	2180488-9
ACTIVE			6.90	6.90	6.90	5.70	26.40	2X	2180488-8
ACTIVE			6.90	6.90	5.70	6.90	26.40	2X	2180488-7
ACTIVE			6.90	6.90	5.70	5.70	26.40	2X	2180488-6
ACTIVE			6.90	6.90	6.90	6.90	26.40	2X	2180488-5
ACTIVE			N/A	N/A	6.90	5.70	15.00	1X	2180488-4
ACTIVE			N/A	N/A	5.70	6.90	15.00	1X	2180488-3
ACTIVE			N/A	N/A	5.70	5.70	15.00	1X	2180488-2
ACTIVE			N/A	N/A	6.90	6.90	15.00	1X	2180488-1

THIS DRAWING IS A CONTROLLED DOCUMENT. DWN: LERRY WANG 06MAR2012
 CHK: SUNY ZHAO 06MAR2012
 APVD: SUNY ZHAO 06MAR2012

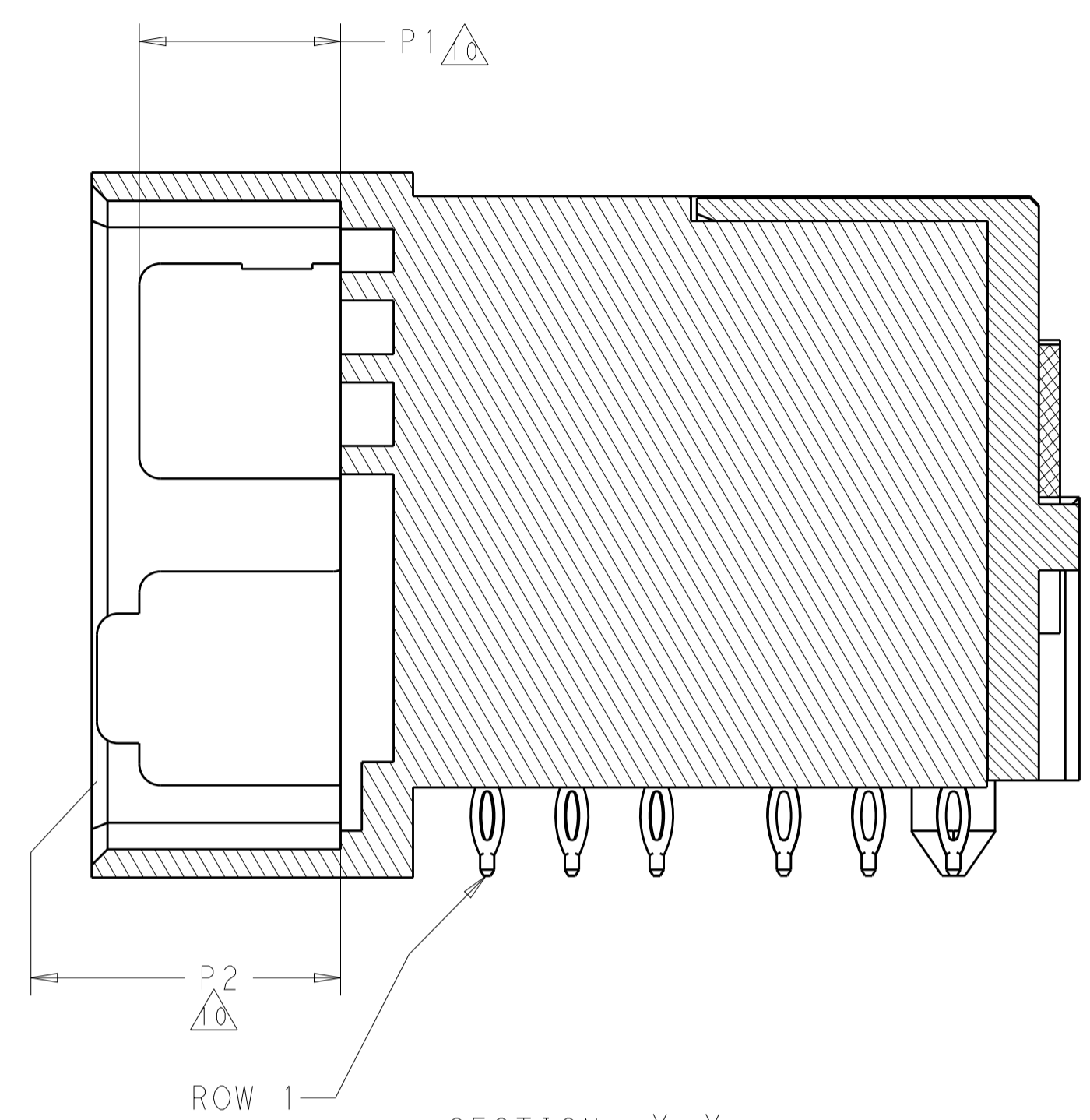
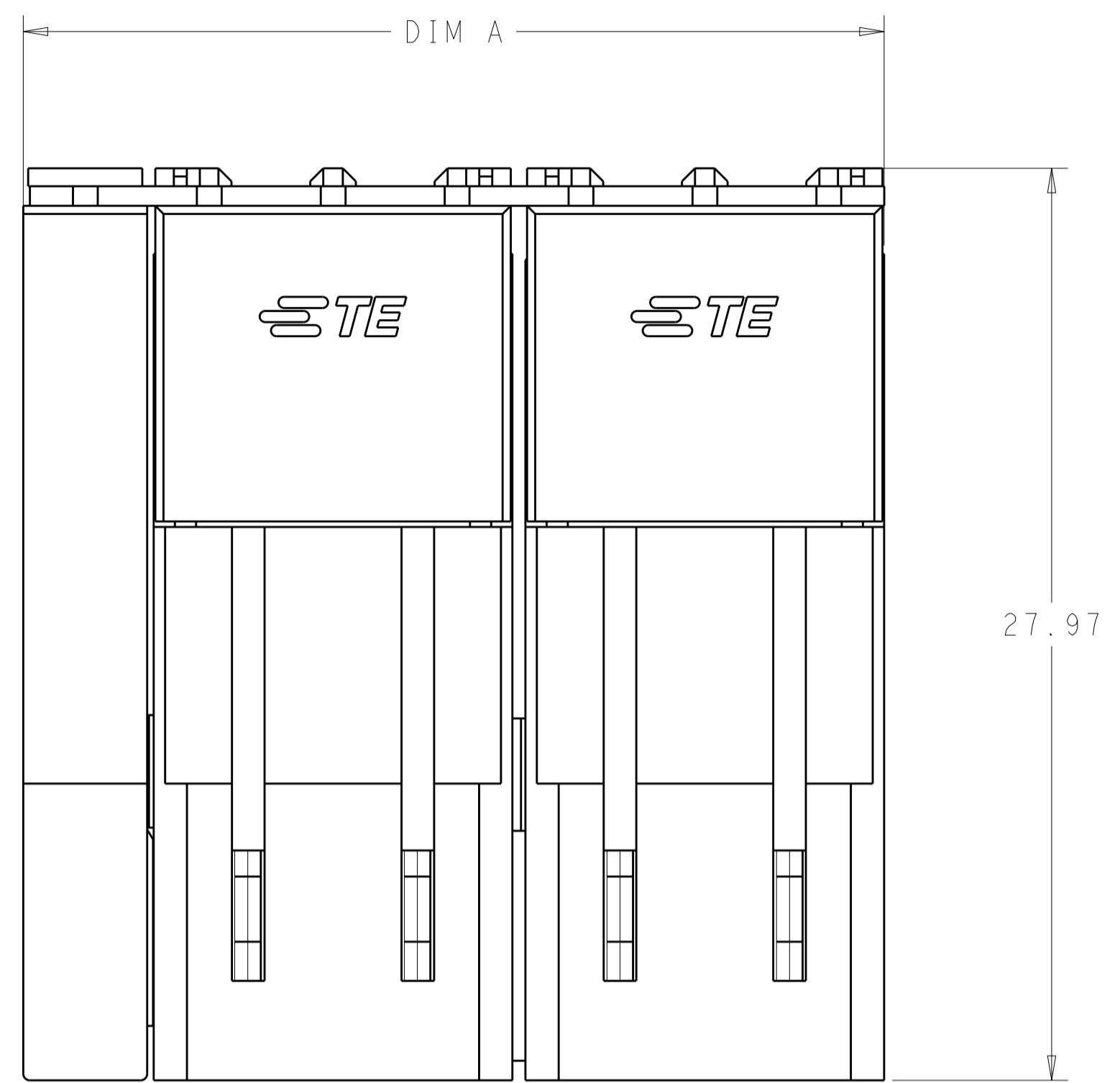
TE Connectivity

IMPACT POWER 4PAIR HEADER WITH LEFT HOLD DOWN PRESS FIT

114-32028
 100779 ©=2180488

SCALE 4:1 SHEET 1 OF 3 REV A1

LOC	DIST	REVISIONS			
P	LTN	DESCRIPTION	DATE	DMN	APVD
-	-	SEE SHEET 1	-	-	-



SECTION X-X
 BLADE LOCATION P1 & P2
 SCALE 6:1

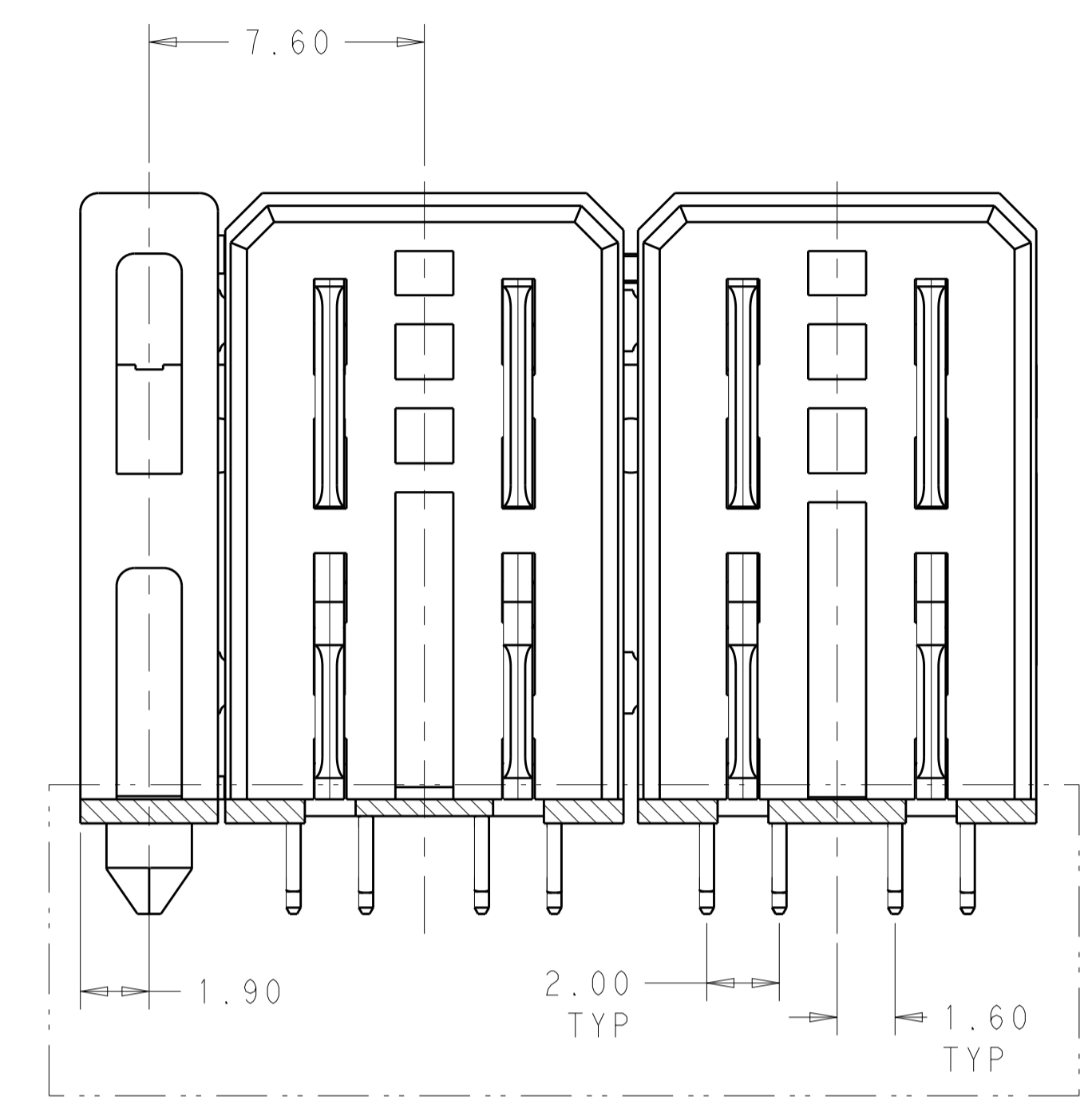
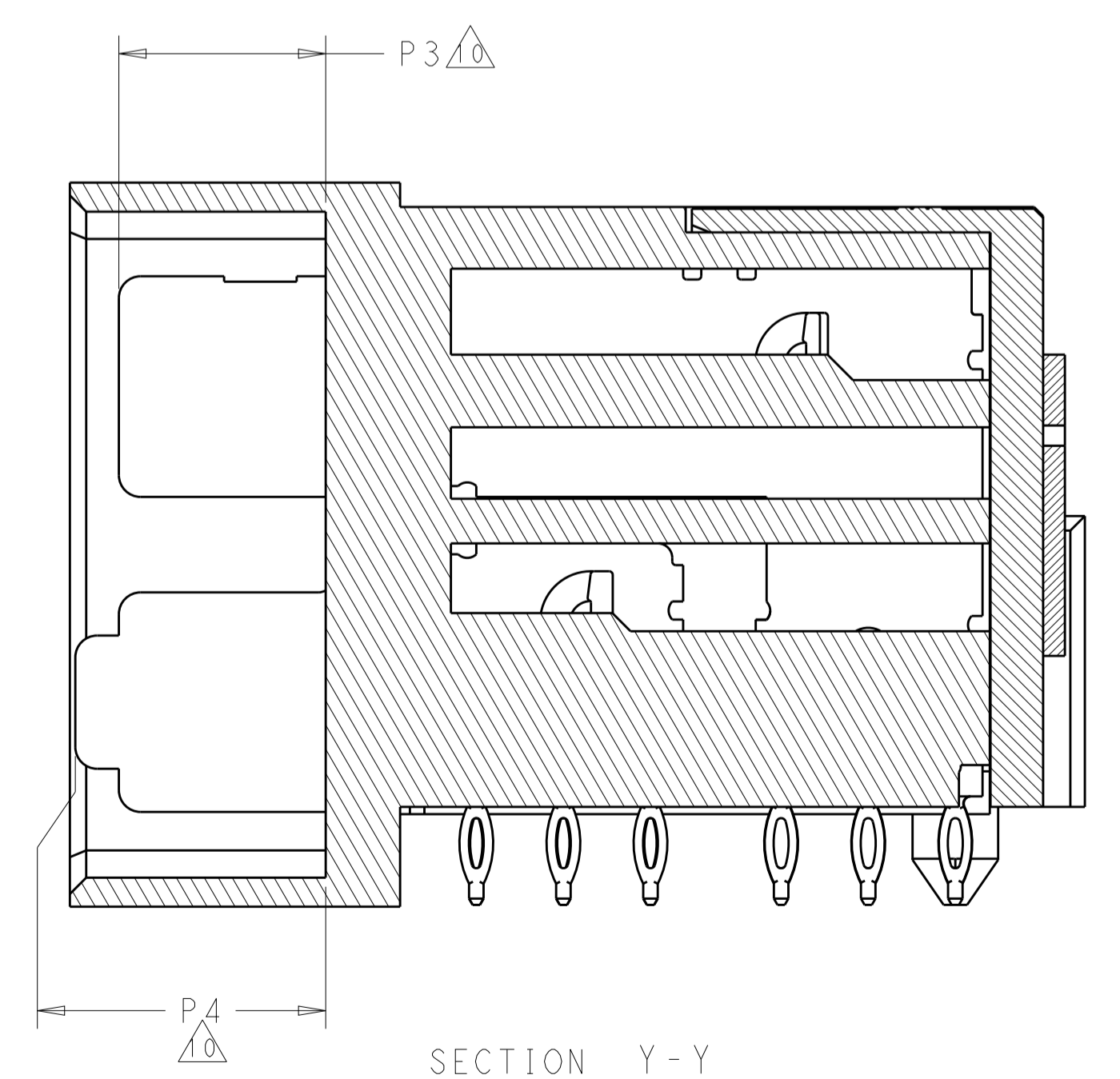
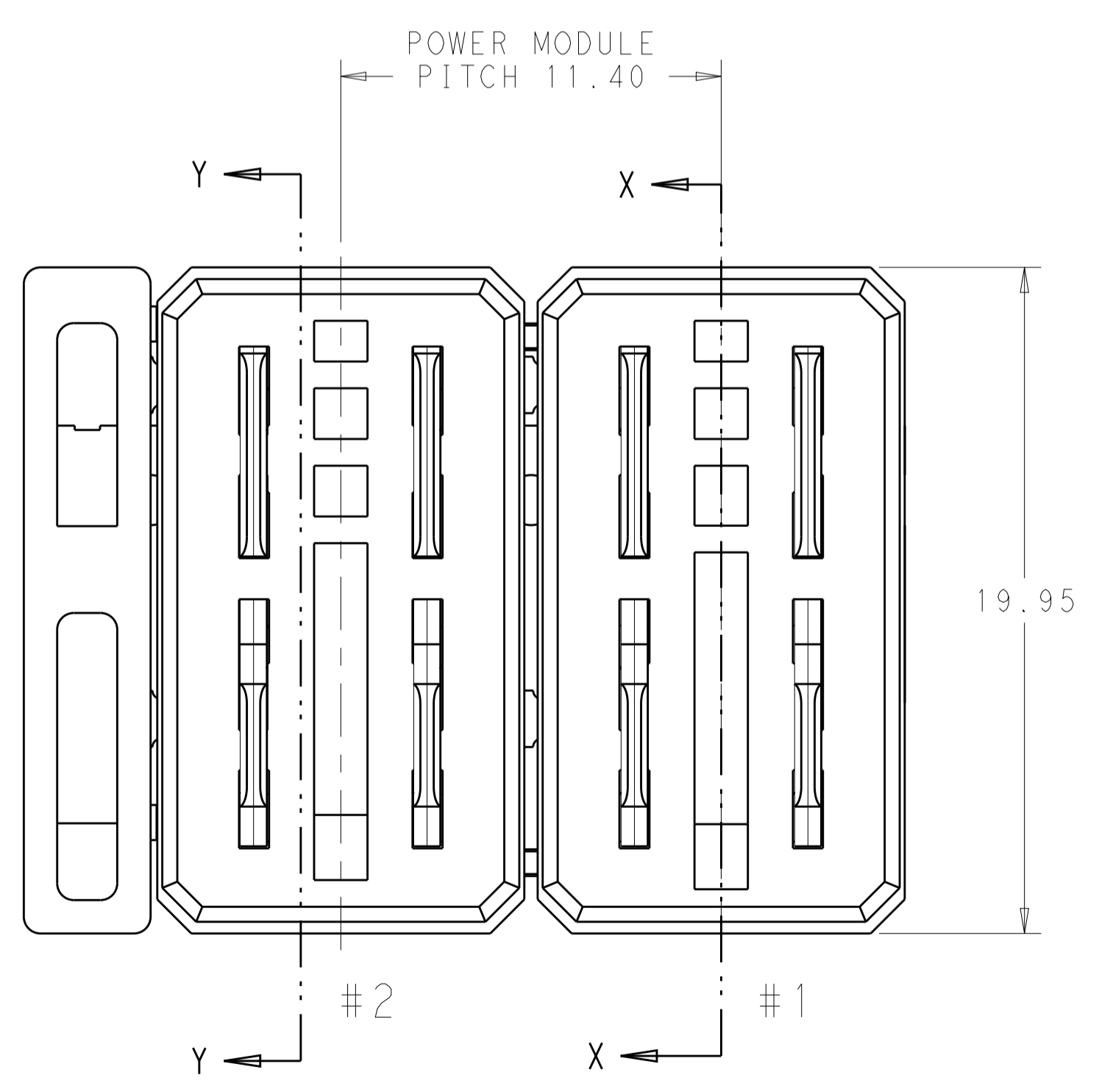
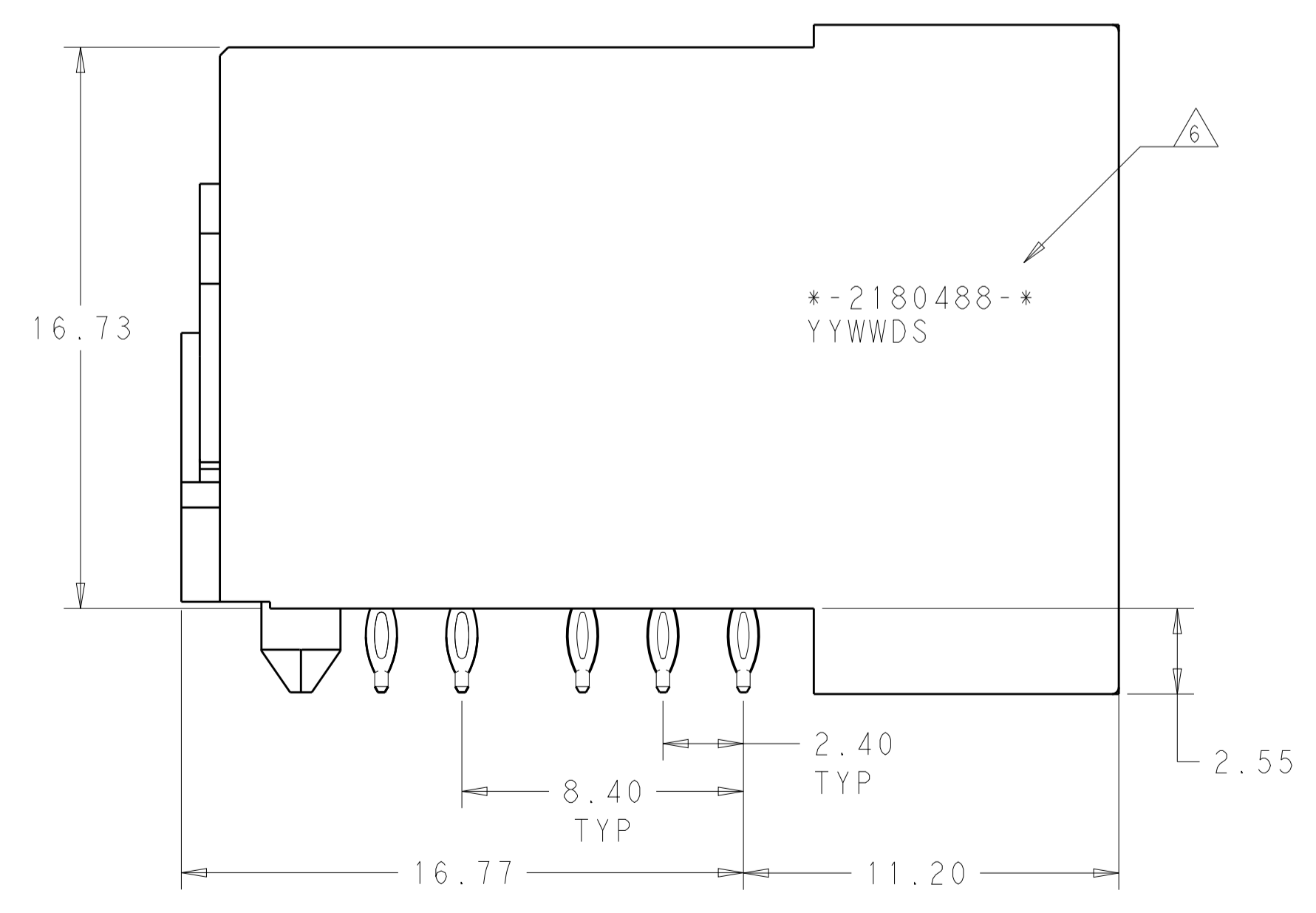


FIGURE: CUTAWAY
 SHOWN SOLDER TAIL POSITION

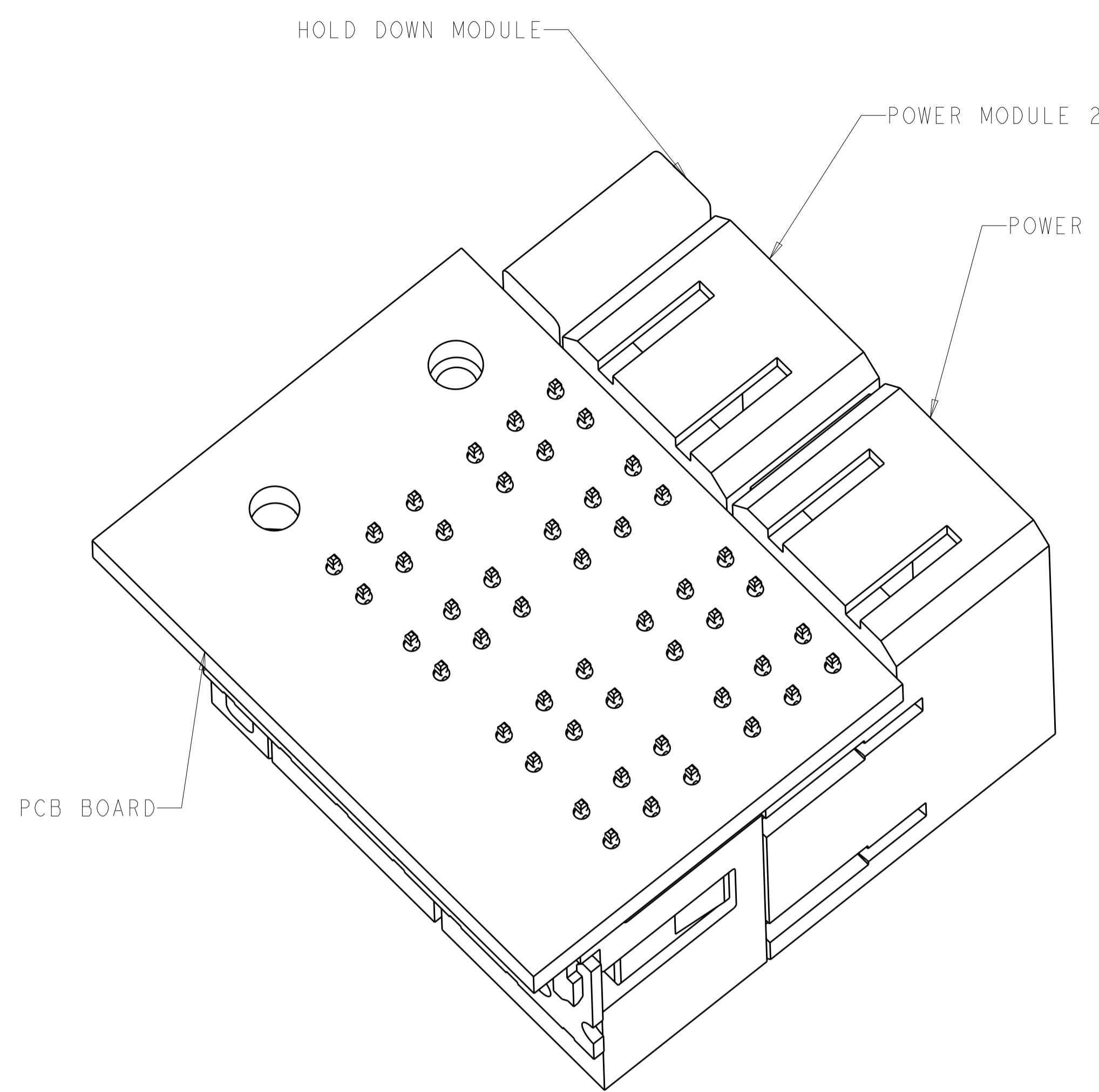


SECTION Y-Y
 BLADE LOCATION P3 & P4

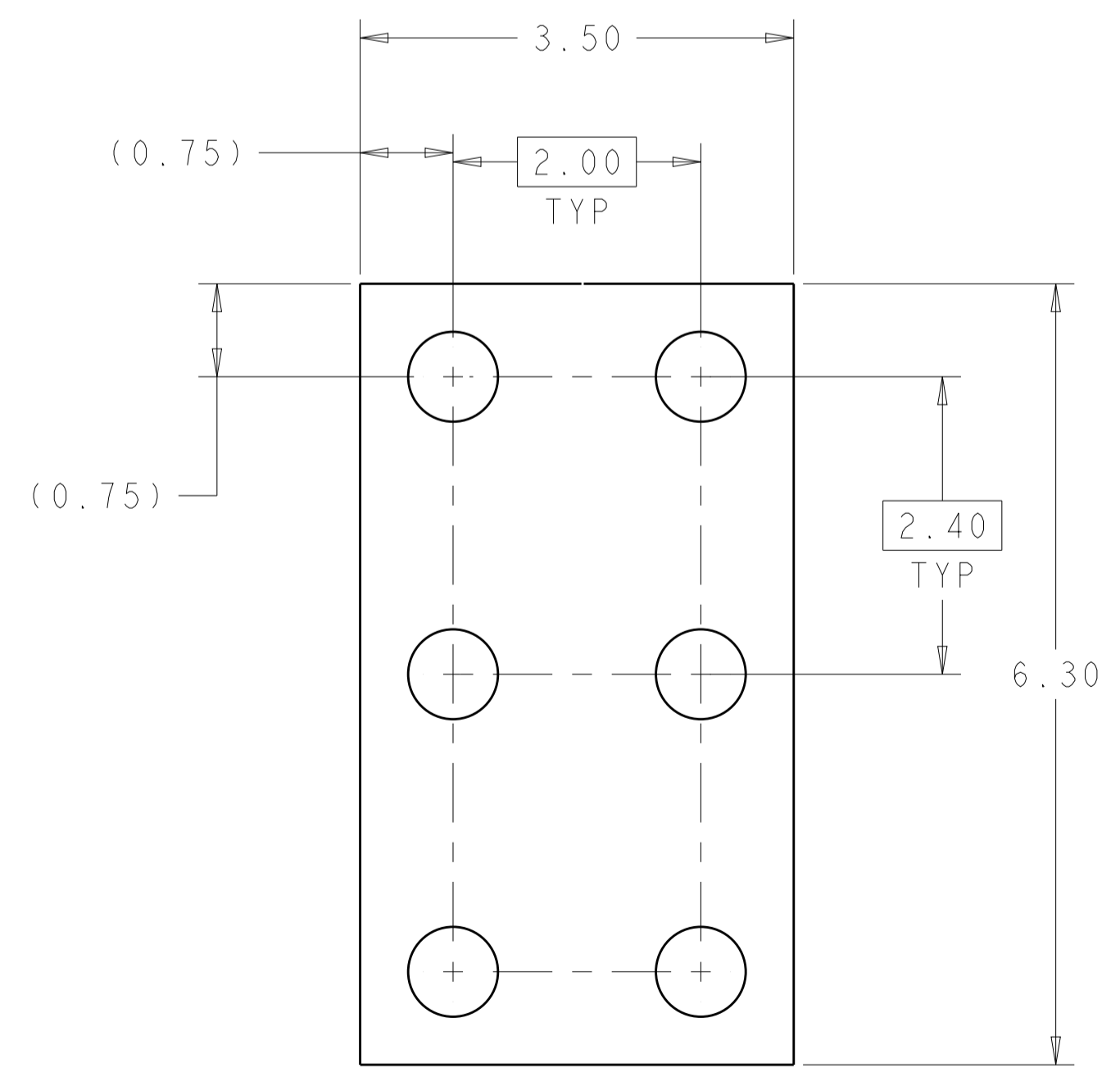


THIS DRAWING IS A CONTROLLED DOCUMENT.		DMN: LERRY WANG 06MAR2012	TE Connectivity
DIMENSIONS: mm		CHK: SUNY ZHAO 06MAR2012	
TOLERANCES UNLESS OTHERWISE SPECIFIED:		APVD: SUNY ZHAO 06MAR2012	NAME: IMPACT POWER 4PAIR HEADER WITH LEFT HOLD DOWN PRESS FIT
0 PLC ±.05		PRODUCT SPEC	
1 PLC ±.05		APPLICATION SPEC	SIZE: CAGE CODE DRAWING NO
2 PLC ±.05		114-32028	RESTRICTED TO
3 PLC ±.05		WEIGHT	A100779C=2180488
4 PLC ±.05		CUSTOMER DRAWING	SCALE 4:1 SHEET 2 OF 3 REV A1
ANGLES ±.05			
FINISH			

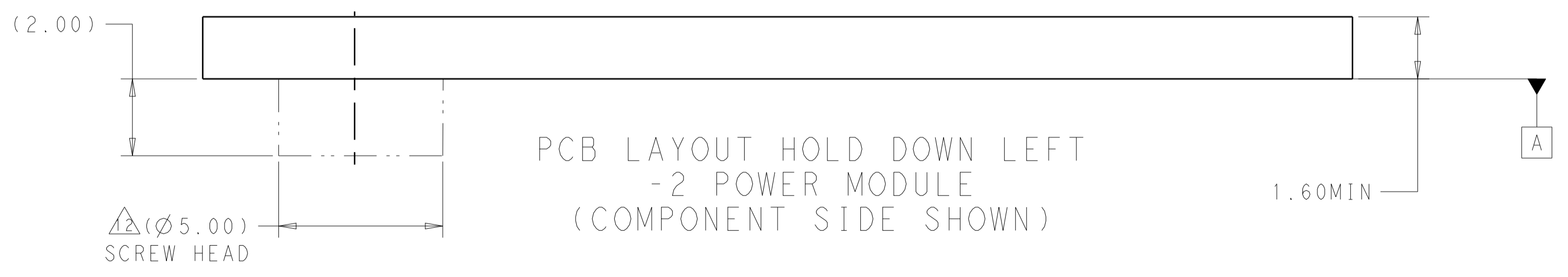
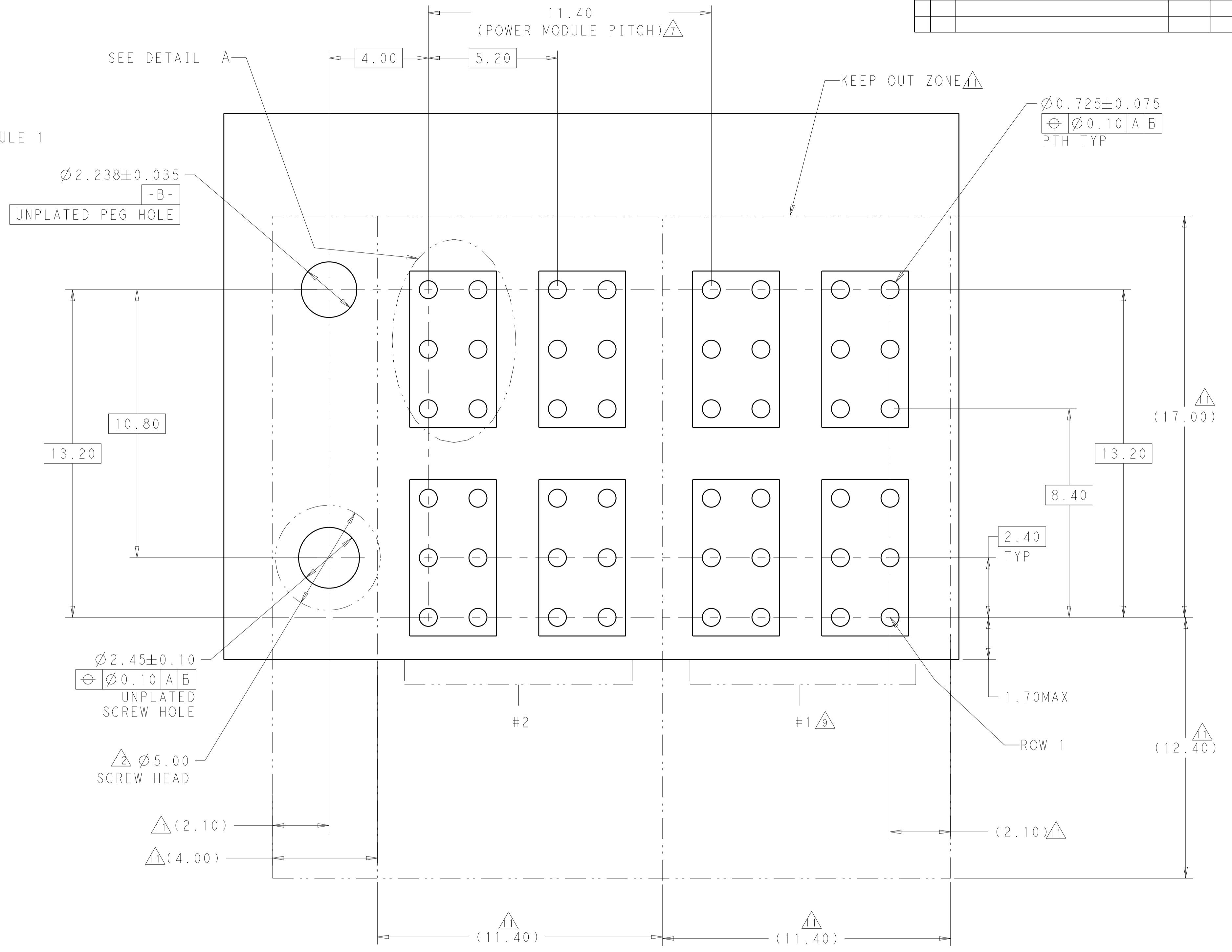
LOC	DIST	REVISIONS			
GP	00	REV	DATE	BY	APPV
-	-	SEE SHEET 1	-	-	-



CONNECTOR WITH PCB BOARD



DETAIL A
COPPER PAD REFERENCE
SCALE 20:1



PCB LAYOUT HOLD DOWN LEFT
- 2 POWER MODULE
(COMPONENT SIDE SHOWN)

THIS DRAWING IS A CONTROLLED DOCUMENT.		OWN: LERRY WANG 06MAR2012	TE Connectivity
DIMENSIONS: mm		CHK: SUNY ZHAO 06MAR2012	
TOLERANCES UNLESS OTHERWISE SPECIFIED:		APPV: SUNY ZHAO 06MAR2012	NAME: IMPACT POWER 4PAIR HEADER WITH LEFT HOLD DOWN PRESS FIT
0 PLC ±0.10	1 PLC ±0.15	2 PLC ±0.25	PRODUCT SPEC
3 PLC ±0.30	4 PLC ±0.40	ANGLES ±0.5°	APPLICATION SPEC
MATERIAL: -	FINISH: -	WEIGHT: -	SIZE: CAGE CODE DRAWING NO: A100779C=2180488
CUSTOMER DRAWING			RESTRICTED TO: -
SCALE: 4:1			SHEET 3 OF 3
REV: A1			

X-ON Electronics

Largest Supplier of Electrical and Electronic Components

Click to view similar products for [High Speed/Modular Connectors](#) category:

Click to view products by [TE Connectivity](#) manufacturer:

Other Similar products are found below :

[2332816-1](#) [89006-1137LF](#) [650827-1](#) [65762-001LF](#) [73474-201LF](#) [74040-1346](#) [74075-0267](#) [1410191-1](#) [1410337-1](#) [1410368-3](#) [1410964-2](#)
[1410367-3](#) [1410971-4](#) [1467833-1](#) [2000877-1](#) [2000878-1](#) [2041314-1](#) [2065387-1](#) [2187307-1](#) [2187462-1](#) [2226278-6](#) [KA81-07](#) [91290-101LF](#)
[163P](#) [1934290-1](#) [2000875-1](#) [2065917-1](#) [2102736-2](#) [FSR-40](#) [2169868-2](#) [2226279-2](#) [22354-8](#) [437-5040-000](#) [5-1393565-0](#) [532449-3](#) [532803-](#)
[2](#) [34745-0001](#) [0736440217](#) [1-1393708-5](#) [72388-0021LF](#) [73774-1000](#) [532939-1](#) [5-531355-3](#) [5532901-3](#) [85838-180LF](#)
[HM1S43TRR460H6PLF](#) [0760205010](#) [1-966831-4](#) [3-1469268-7](#) [77427-121LF](#)