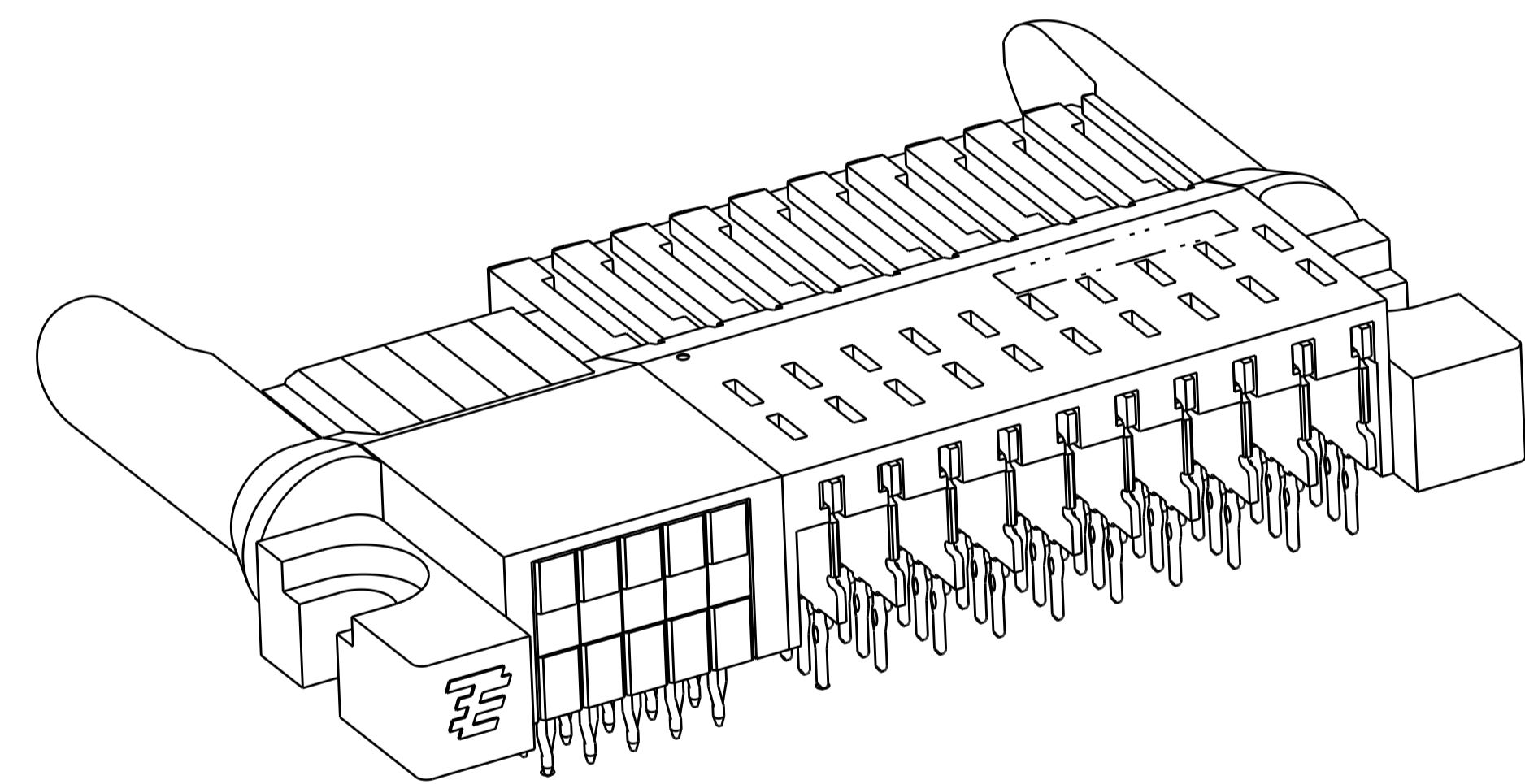
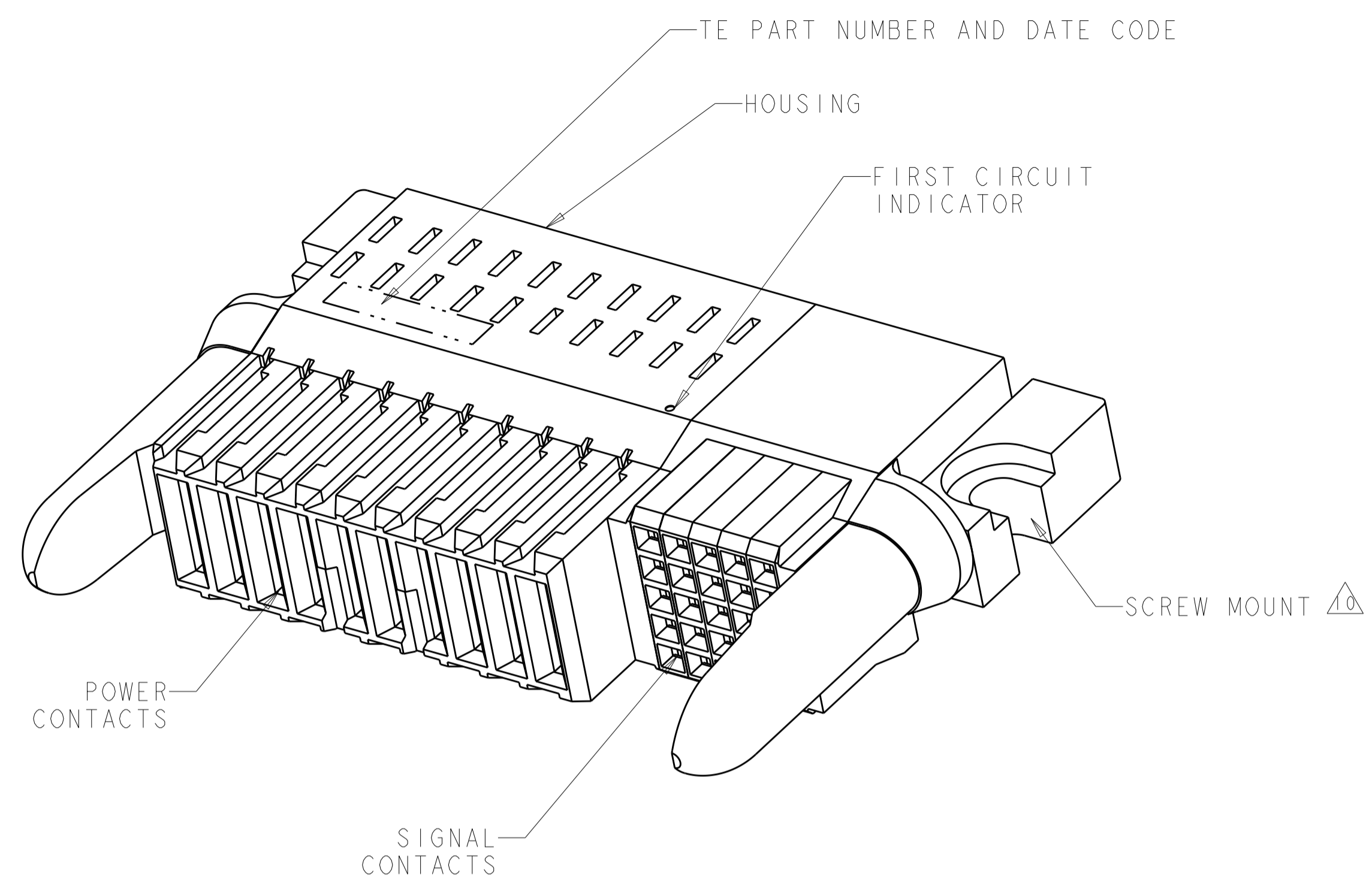


| LOC | DIST | REVISIONS | | | | | |
|-----|------|-----------|-----|-----------------------|-----------|-----|------|
| | | P | LTN | DESCRIPTION | DATE | DMN | APVD |
| AA | 00 | | | | | | |
| | | A2 | | REV PER ECO-13-015117 | 16SEP2013 | OL | SZ |
| | | A3 | | ADD NEW PART 6--2 | 18NOV2013 | OL | SZ |
| | | A4 | | ECR-15-001425 | 19JAN2015 | SZ | SZ |



2-1926739-5 SHOWN

- HOUSING: GLASS FILLED LIQUID CRYSTAL POLYMER, COLOR: BLACK, UL 94 V-0 RATED
 SIGNAL CONTACT: PHOSPHOR BRONZE
 SIGNAL OVERMOLD: GLASS FILLED POLYESTER
 POWER CONTACT: COPPER ALLOY
- SIGNAL CONTACT: 0.00127mm MIN NICKEL ALL OVER,
 MATING AREA: 0.00008mm MIN GOLD OVER
 0.00076mm MIN PALLADIUM-NICKEL
 TAIL AREA: 0.0005mm MIN MATTE TIN

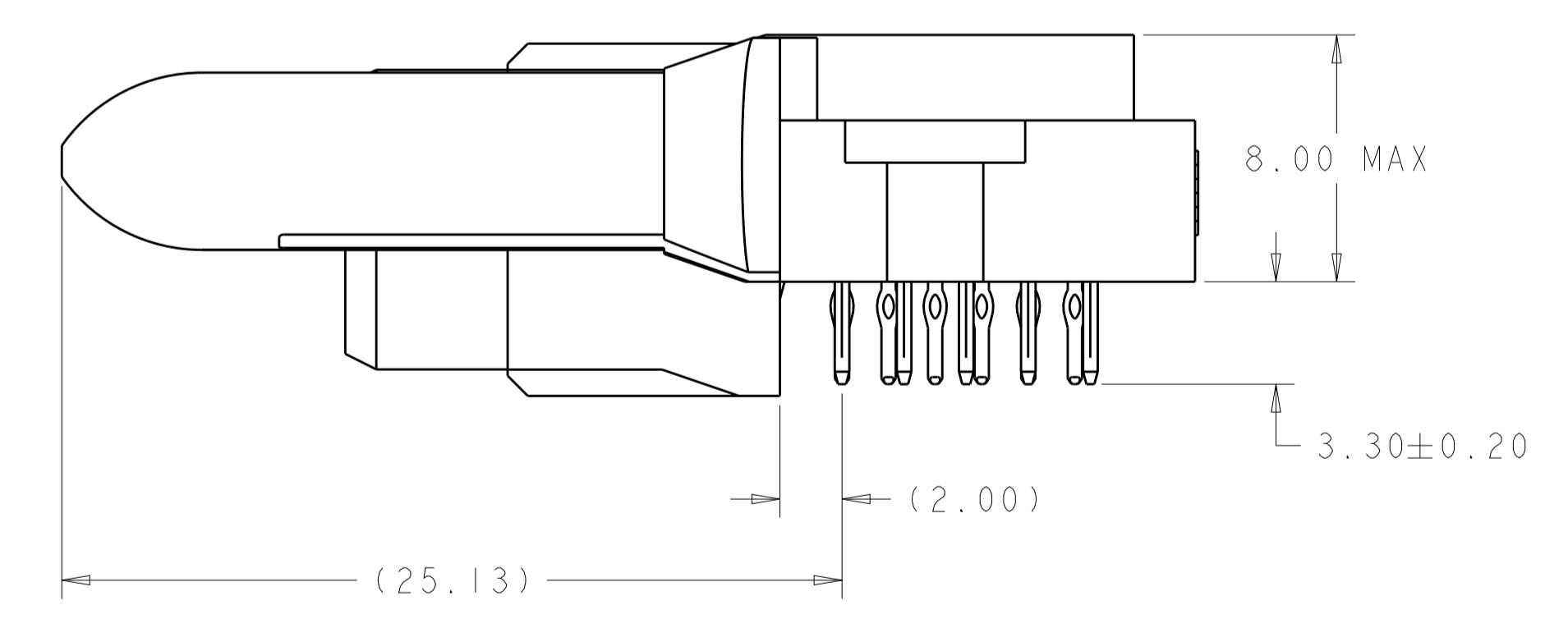
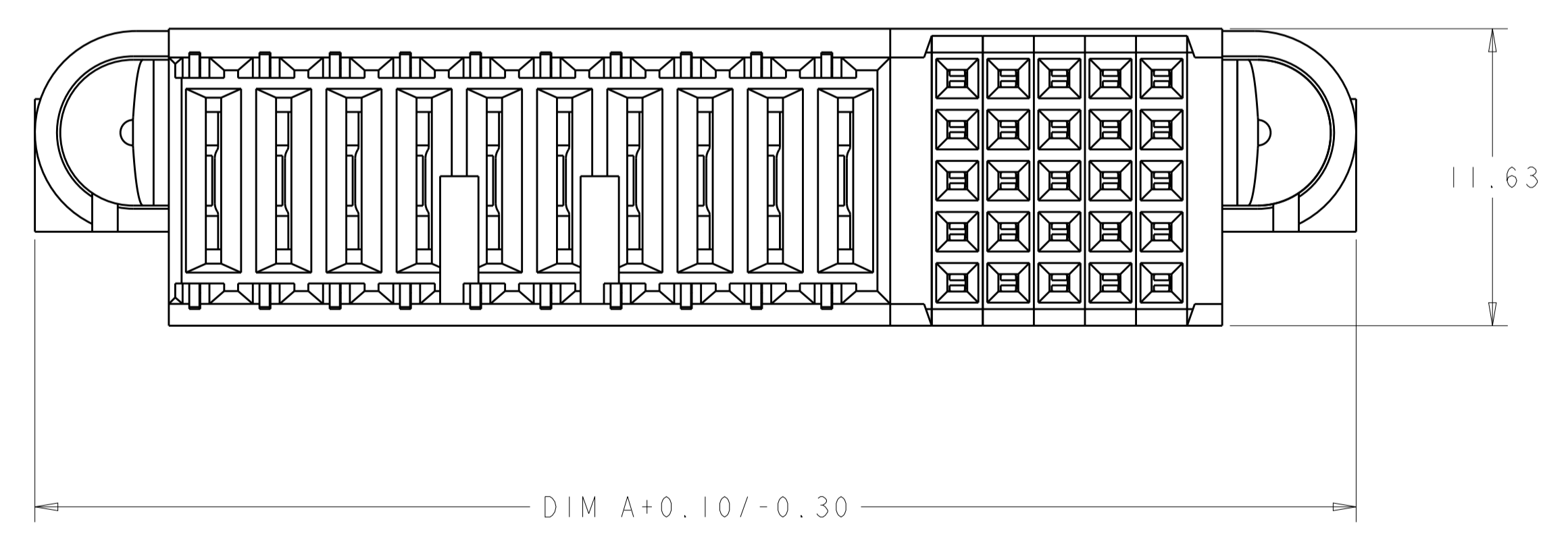
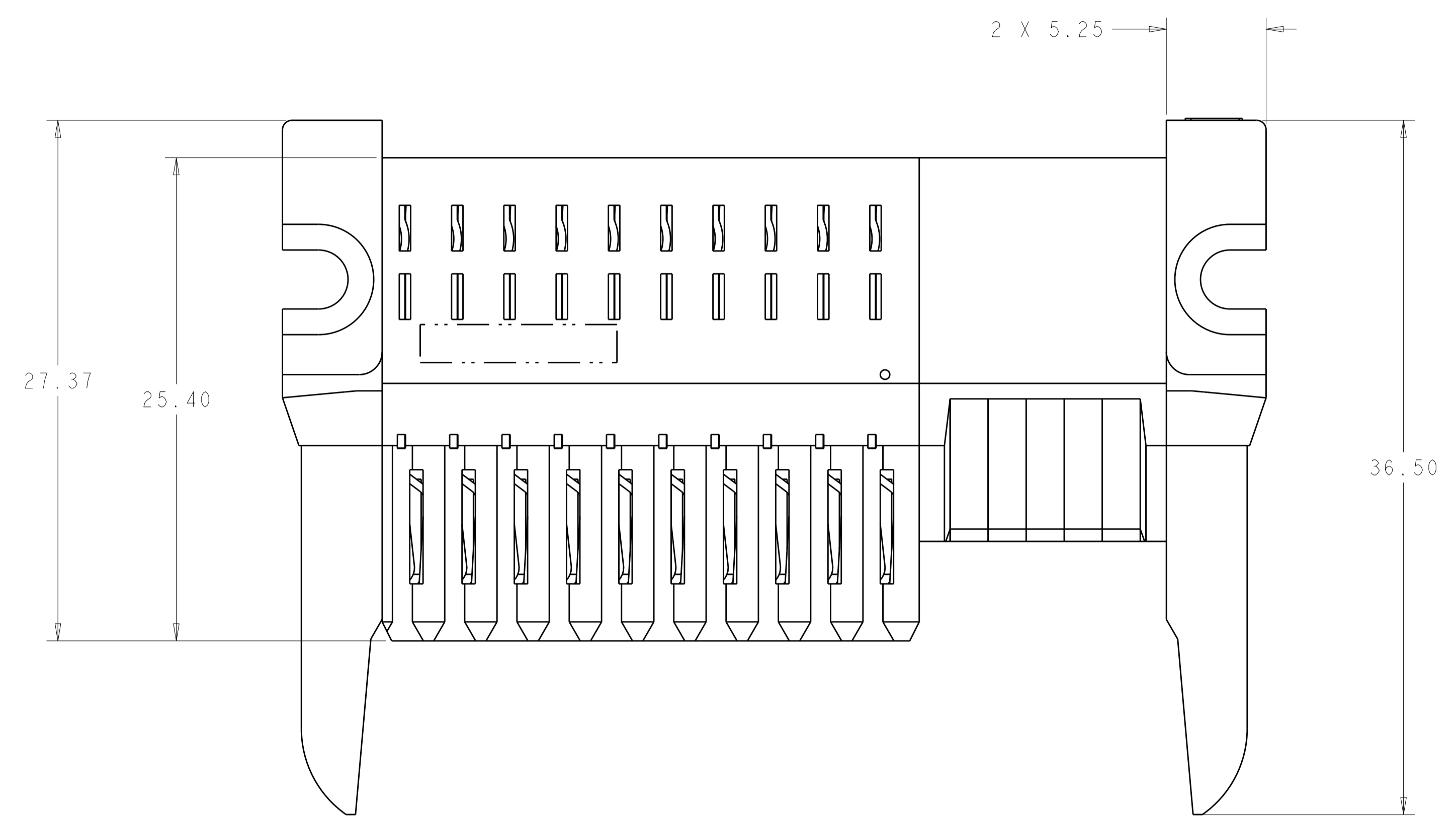
 POWER CONTACT: 0.00127mm MIN NICKEL ALL OVER,
 MATING AREA: 0.00008mm MIN GOLD OVER
 0.00076mm MIN PALLADIUM-NICKEL,
 TAIL AREA: 0.0005mm MIN MATTE TIN
- CONTACT MATING AREA LUBRICATED WITH BELLCORE APPROVED LUBRICANT,
 TECHNICAL REFERENCE: GR-1217-CORE, ISSUE 1, NOVEMBER 1995
- THIS CONNECTOR EMPLOYS UL RECOGNIZED Z-PACK 2mm HM SIGNAL CONTACTS

- 5 DATUMS AND BASIC DIMENSIONS TO BE ESTABLISHED BY CUSTOMER
- 6 PC BOARD THICKNESS 1.4mm MIN, FOR WAVE SOLDER PC BOARD THICKNESS 2.62 MAX
- 7 SEE APPLICATION SPEC 114-13215 FOR PLATED THROUGH HOLE INFORMATION
- 8. SEE CUSTOMER DRAWING 1926730 OR 1926732 FOR MATING CONNECTOR
- 9 UNPLATED HOLES
- 10 #4-40 UNC PAN HEAD SCREW WITH HEX NUT, NOT SHOWN, SUPPLIED BY CUSTOMER

| | | | | | | | |
|----------|----------|-------------|-------------|-------|-------|--------------------|----------------|
| 12 | 15 | 1 | 2 | 21.94 | 25.74 | 15S X 2P | 8-1926739-0 |
| 144 | 40 | 23 | 7 | 92.44 | 96.24 | 40S X 24P | 7-1926739-7 |
| 120 | 35 | 19 | 6 | 79.44 | 83.24 | 35S X 20P | 6-1926739-2 |
| 108 | 35 | 17 | 6 | 73.94 | 77.74 | 35S X 18P | 5-1926739-5 |
| 96 | 25 | 15 | 4 | 64.44 | 68.24 | 25S X 16P | 4-1926739-6 |
| 72 | 15 | 11 | 2 | 49.44 | 53.24 | 15S X 12P | 3-1926739-0 |
| 48 | 20 | 7 | 3 | 40.44 | 44.24 | 20S X 8P | 1-1926739-1 |
| 72 | 25 | 11 | 4 | 51.44 | 57.24 | 25S X 12P | 1926739-9 |
| 48 | 25 | 7 | 4 | 42.44 | 46.24 | 25S X 8P | 1-1926739-8 |
| 36 | 20 | 5 | 3 | 36.74 | 40.54 | 20S X 6P | 1-1926739-0 |
| 60 | 25 | 9 | 4 | 47.94 | 51.74 | 25S X 10P | 2-1926739-5 |
| F PLC | E PLC | D SPACES | C SPACES | DIM B | DIM A | NO OF POSITIONS | PART NUMBER |

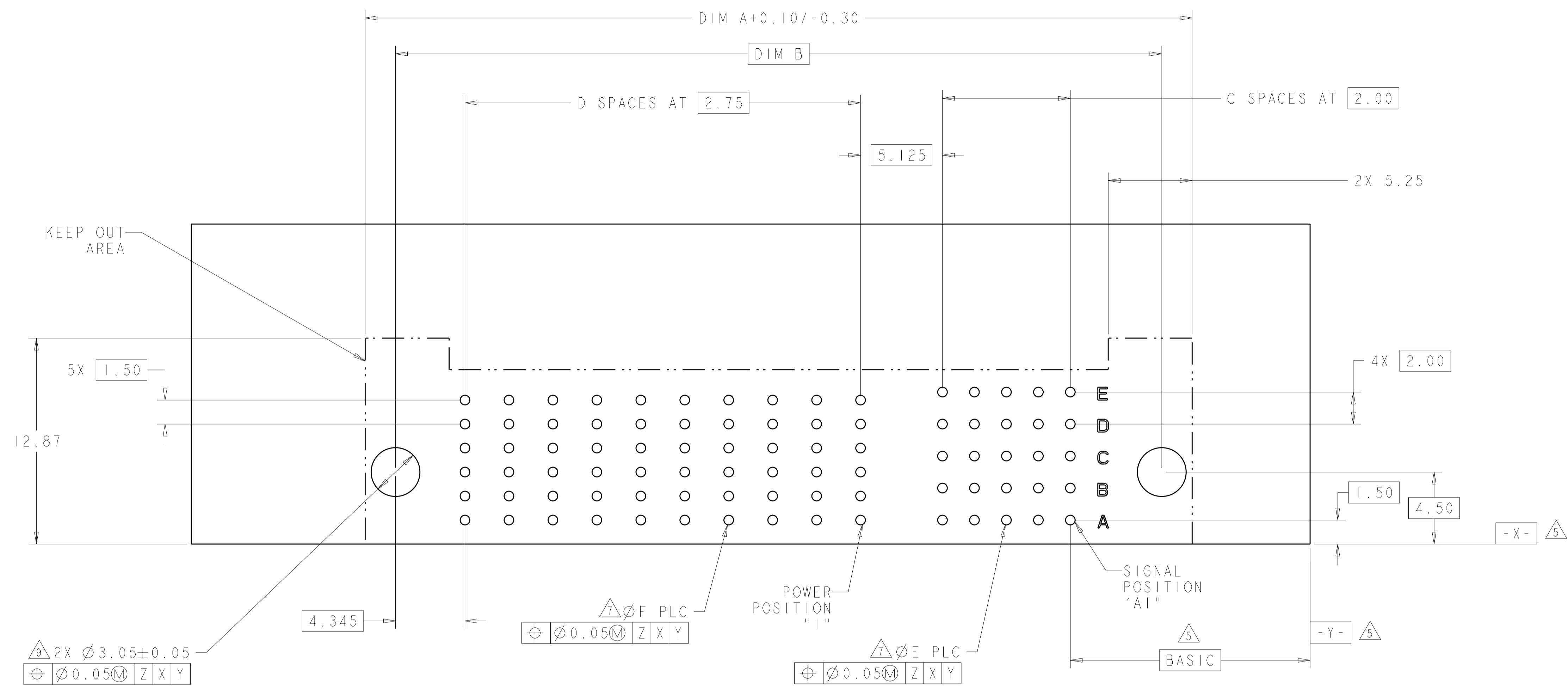
| | | | | | | | | | |
|--|--|---|--|--|--|--|--|--|--|
| DIMENSIONS: mm | | TOLERANCES UNLESS OTHERWISE SPECIFIED: 0 PLC ± 1 PLC ±0.13 2 PLC ± 3 PLC ± 4 PLC ± ANGLES ± | | DIMENSIONS: mm 0 PLC ± 1 PLC ±0.13 2 PLC ± 3 PLC ± 4 PLC ± ANGLES ± | | DIMENSIONS: mm 0 PLC ± 1 PLC ±0.13 2 PLC ± 3 PLC ± 4 PLC ± ANGLES ± | | DIMENSIONS: mm 0 PLC ± 1 PLC ±0.13 2 PLC ± 3 PLC ± 4 PLC ± ANGLES ± | |
| MATERIAL: SEE NOTE 1 FINISH: SEE NOTE 2 | | WEIGHT: - Customer Drawing | | DIMENSIONS: mm 0 PLC ± 1 PLC ±0.13 2 PLC ± 3 PLC ± 4 PLC ± ANGLES ± | | DIMENSIONS: mm 0 PLC ± 1 PLC ±0.13 2 PLC ± 3 PLC ± 4 PLC ± ANGLES ± | | DIMENSIONS: mm 0 PLC ± 1 PLC ±0.13 2 PLC ± 3 PLC ± 4 PLC ± ANGLES ± | |

| LOC | | DIST | | REVISIONS | | | |
|-----|-----|-------------|------|-----------|------|--|--|
| P | LTN | DESCRIPTION | DATE | DMN | APVD | | |
| - | - | SEE SHEET 1 | - | - | - | | |
| | | | | | | | |
| | | | | | | | |



| | | | | | | | |
|------------------|----------|--|---------------------|-------------------------|----------------------------|---|---|
| DIMENSIONS: | | TOLERANCES UNLESS OTHERWISE SPECIFIED: | | DWN ORANDO LI 28OCT2011 | | Tyco Electronics Shanghai, PR 200233 | |
| mm | 0 PLC ± | 1 PLC ±0.13 | 2 PLC ± | 3 PLC ± | 4 PLC ± | APVD SUNY ZHAO 28OCT2011 | NAME RECEPTACLE ASSEMBLY, RIGHT ANGLE, PASSIVE GUIDE, SIGNAL/POWER, WITH SCREW MOUNT, MINIPAK HDL |
| | ANGLES ± | FINISH SEE NOTE 2 | MATERIAL SEE NOTE 1 | | PRODUCT SPEC 108-2325 | | SIZE CAGE CODE DRAWING NO RESTRICTED TO |
| | | | WEIGHT - | | APPLICATION SPEC 114-13215 | | A 100779 C=1926739 |
| Customer Drawing | | | | SCALE 3:1 | SHEET 2 OF 3 | REV A4 | |

| LOC | DIST | REVISIONS | | | |
|-----|------|-------------|------|-----|------|
| P | LTH | DESCRIPTION | DATE | DWN | APVD |
| - | - | SEE SHEET 1 | - | - | - |
| | | | | | |
| | | | | | |



2-1926739-5 SHOWN
RECOMMENDED PRINTED CIRCUIT BOARD LAYOUT
 (AS VIEWED FROM COMPONENT SIDE)

| | | | |
|--|---|--|---|
| <small>THIS DRAWING IS UNPUBLISHED. RELEASED FOR PUBLICATION BY TYCO ELECTRONICS CORPORATION. ALL RIGHTS RESERVED.</small> | | DWN: ORANDO LI 28OCT2011 CHK: SUNY ZHAO 28OCT2011 APVD: SUNY ZHAO 28OCT2011 | Tyco Electronics Shanghai, PR 200233 |
| DIMENSIONS: mm | TOLERANCES UNLESS OTHERWISE SPECIFIED: 0 PLC ± 1 PLC ±0.13 2 PLC ± 3 PLC ± 4 PLC ± ANGLES ± | NAME: RECEPTACLE ASSEMBLY, RIGHT ANGLE, PASSIVE GUIDE, SIGNAL/POWER, WITH SCREW MOUNT, MINIPAK HDL PRODUCT SPEC: 108-2325 APPLICATION SPEC: 114-13215 WEIGHT: - | SIZE: A1 CAGE CODE: 00779 DRAWING NO: C=1926739 RESTRICTED TO: - |
| MATERIAL: SEE NOTE 1 FINISH: SEE NOTE 2 | Customer Drawing | SCALE: 3:1 SHEET: 3 OF 3 REV: A4 | - |

X-ON Electronics

Largest Supplier of Electrical and Electronic Components

Click to view similar products for [Heavy Duty Power Connectors](#) category:

Click to view products by [TE Connectivity](#) manufacturer:

Other Similar products are found below :

[1424439](#) [1424438](#) [09330062652](#) [2-8675P1](#) [605601-1](#) [6340G1](#) [6341G1](#) [6360G1](#) [6373G1](#) [6374g2](#) [6396G1](#) [647757-1](#) [66394-4](#) [6643411-1](#)
[6646058-2](#) [6646137-1](#) [6646138-1](#) [6646348-1](#) [6646479-1](#) [6646608-1](#) [6646786-1](#) [6646940-1](#) [6651091-1](#) [6651525-1](#) [6651529-1](#) [6651778-1](#)
[6651788-1](#) [696465-1](#) [696475-1](#) [73000005059](#) [73000005349](#) [73000005642](#) [73080255059](#) [73080965046](#) [765-15-0080A](#) [765-16-0080B](#)
[789.700-44](#) [789.700-54](#) [80-1010](#) [80-9](#) [827381-1](#) [829992-1](#) [902-77-02113](#) [PL00U-301-10D10](#) [PM103MOOLOO](#) [PM16S1620S32-50](#)
[PM212MOOLOO](#) [PM309FOOLOO](#) [PM324FOOLCH](#) [PMHPAF11S03](#)