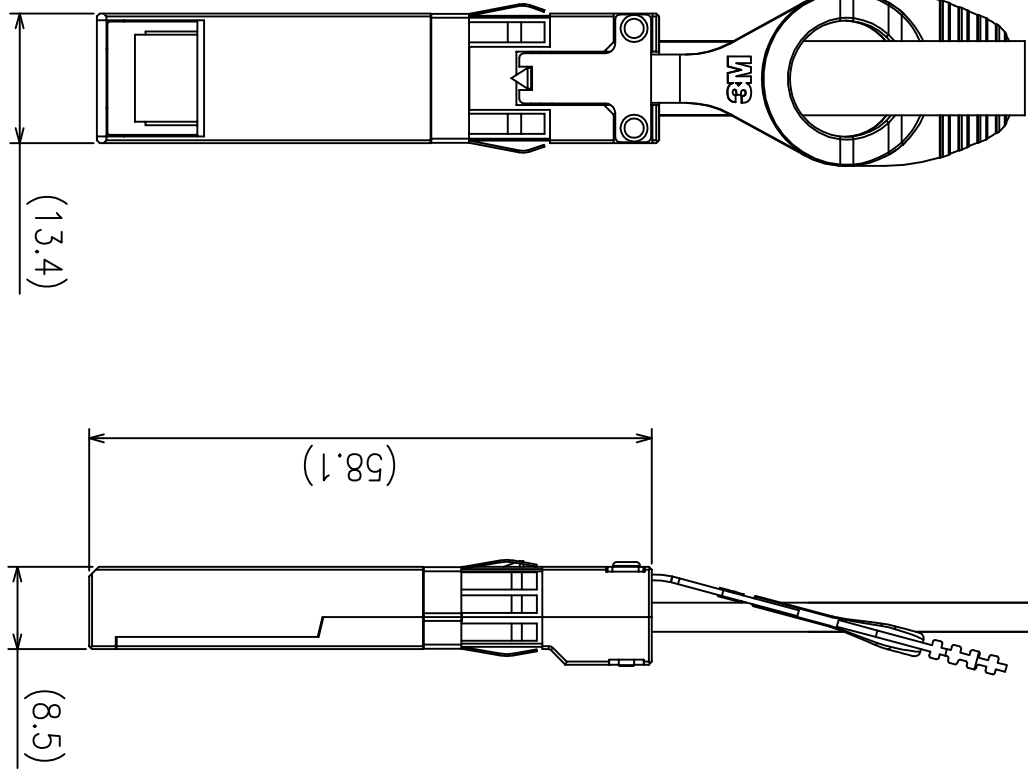


LOW-PROFILE CABLE



CODE	CABLE CONFIGURATION
11	30AWG LOW-PROFILE HALOGEN FREE JACKET
17	30AWG LOW-PROFILE PVC JACKET COLOR BLACK
30	26AWG LOW-PROFILE PVC JACKET COLOR BLACK

LENGTH OPTIONS "L" (in meters)
 30 AWG up to 5 meters
 26 AWG for 4 to 7 meters

NOTES:
 1. ORDERING INFORMATION:
 14XX-P XX-00-XX

2. MATERIALS:
 ① - SFP+ SHELL KIT, 2 PCS
 ② - HEAT SHRINKABLE TUBE BLACK (OPTIONAL), 2 PCS
 ③ - LITLONG LABEL=CLEAR/WHITE BACKGROUND WITH BLACK TEXT, TEXT H=2.00MM, ARIAL, L*W=40*30MM, "YYWW" IS DATE CODE, e.g YEAR=2007, WEEK=26, YYWW=0726

3. JACKET TYPES: HALOGEN FREE / PVC, COLOR: BLACK
 4. THIS CABLE ASSEMBLY IS ROHS COMPLIANT
 5. BULK CABLE MEETS UL TEMP. RANGE -20°C TO +80°C
 6. BULK CABLE IMPEDANCE: 100±5 OHMS (DIFFERENTIAL)
 7. DESIGN TO SFP+ STANDARD SFF-8431

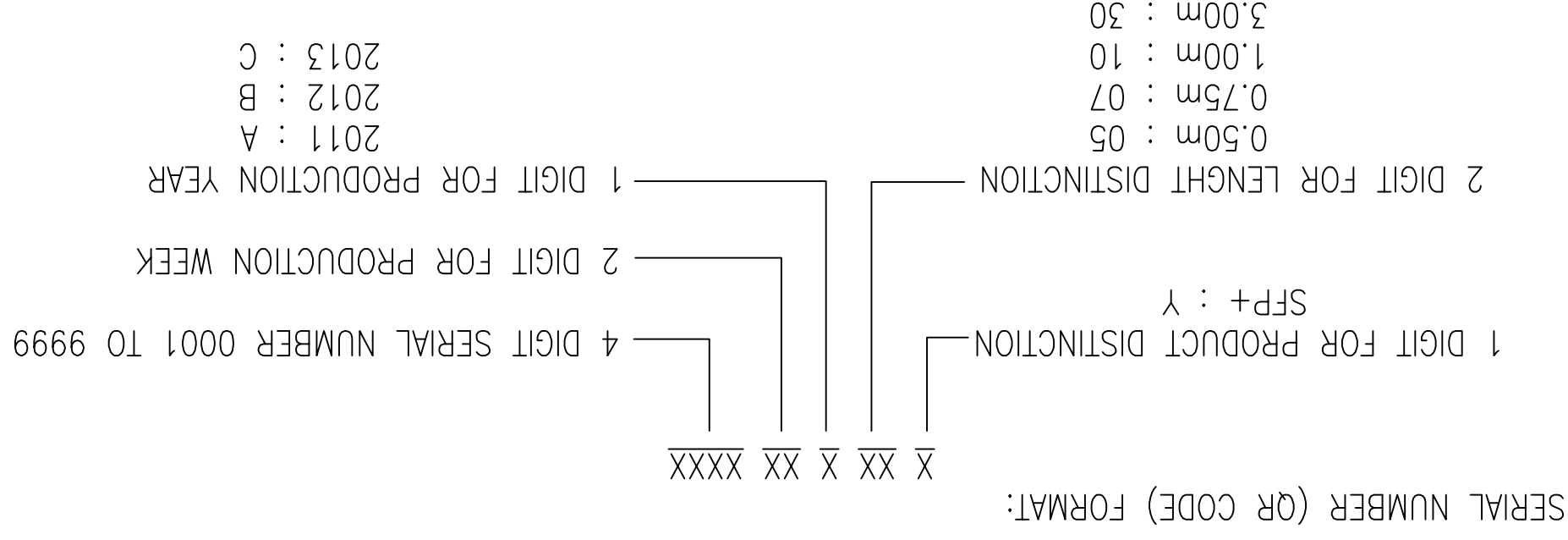
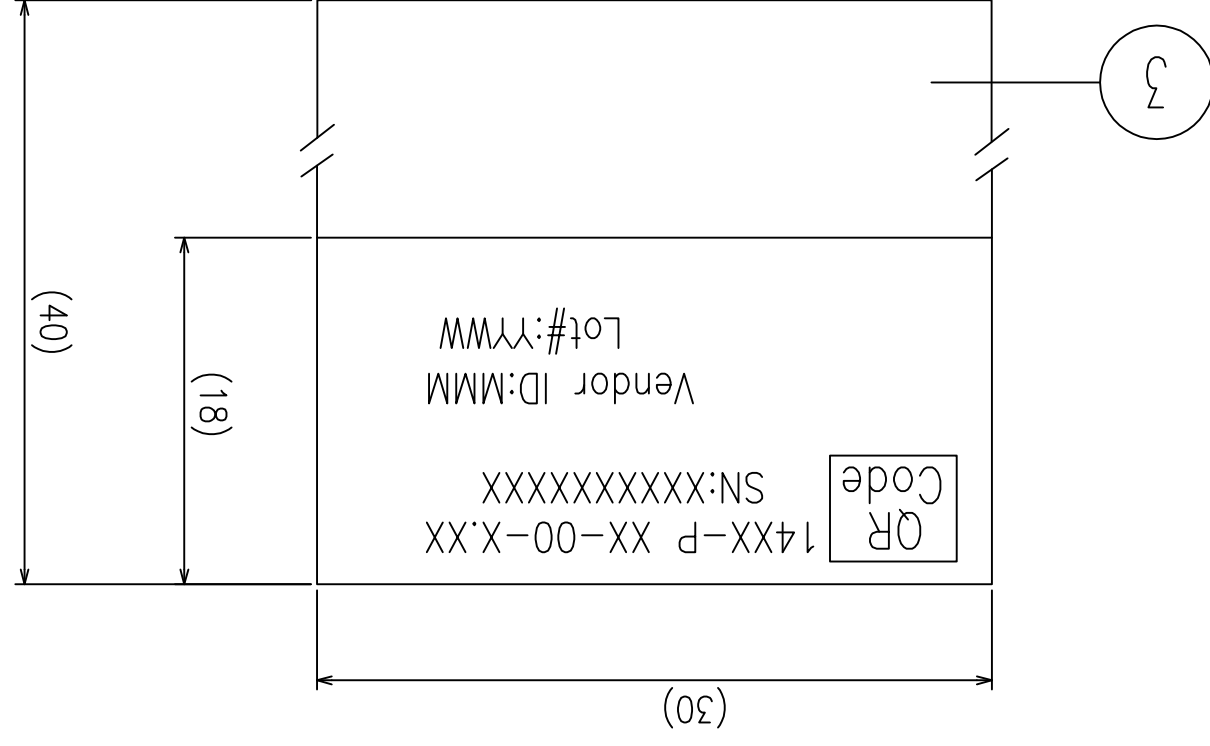
8. UNLESS OTHERWISE NOTED, REFERENCES TO INDUSTRY SPECIFICATIONS ARE INTENDED TO INDICATE SUBSTANTIAL COMPLIANCE TO THE MATERIAL ELEMENTS OF THE SPECIFICATION. SUCH REFERENCES SHOULD NOT BE CONSTRUED AS A GUARANTEE OF COMPLIANCE TO ALL REQUIREMENTS IN A GIVEN SPECIFICATION.

REV.	DATE	ISSUE DATE AND DESCRIPTION	DRFT	CHKD
F	JUN 03, 2016		YL	YL
E	AUG 19, 2015		YL	YL
D	MAR 18, 2014		YL	YL

DISTRI	CHKS	DATE	BY	DESCRIPTION
		AUG 19, 2015	YUNLONG	EDDIE
		AUG 19, 2015	YUNLONG	SAUJIT BANDHU

REVISION	ECO	DATE	BY	DESCRIPTION
F	0068166	JUN 03, 2016	YL	YL
E	0063511	AUG 19, 2015	YL	YL
D	0053900	MAR 18, 2014	YL	YL

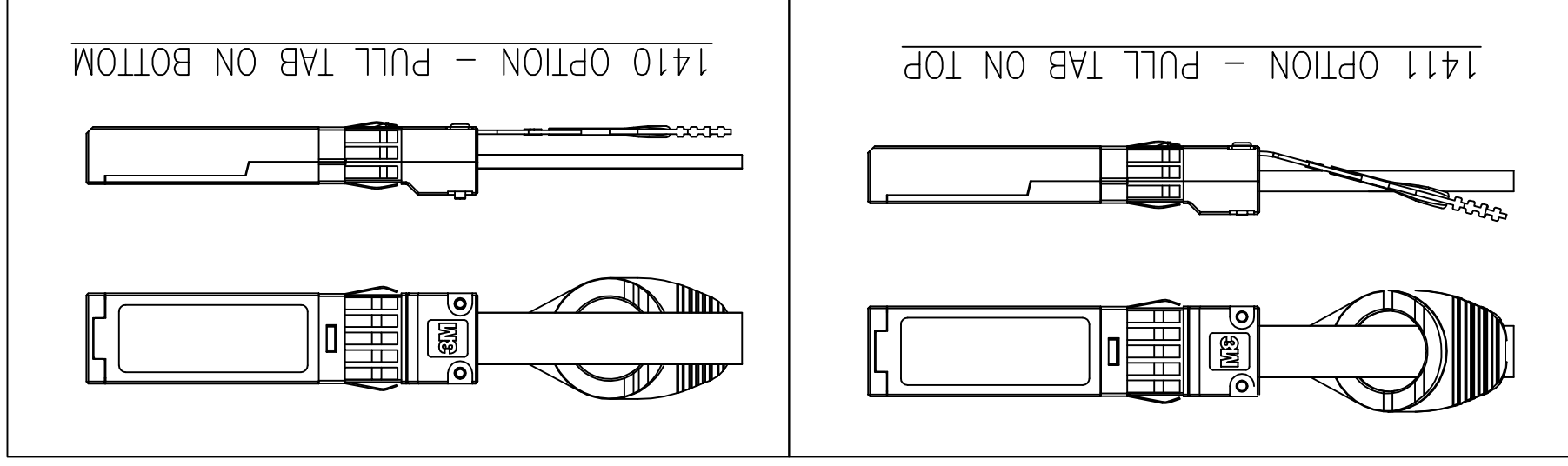
LABEL DETAIL



P1/P2	
PIN NO.	SYMBOL
1	Veet
2	Tx_Fault
3	Tx_Disable
4	SDA
5	SCL
6	Mod_ABS
7	Rx_LOS
8	Rx_LOS
9	RS1
10	Veet

P1		P2	
B11	GND	B20	GND
B12	Rx-	B19	Rx-
B13	Rx+	B18	Rx+
B14	GND	B17	GND
B15	-	B16	-
B15	-	B16	-
B14	GND	B17	GND
B13	Rx+	B18	Rx+
B12	Rx-	B19	Rx-
B11	GND	B20	GND

ASSEMBLY PINOUT



EXAMPLE - PART NUMBER ORDER DETAIL

3M™ CABLE ASSEMBLY P/N	CABLE OPTIONS	CABLE SIZE (AWG)	CABLE LENGTH (METERS) "M"	TOTAL LENGTH (METERS) "L"	PULL TAB OPTIONS
1410-P17-00-1.00	PVC, Black	30 AWG	0.88	1.0	BOTTOM
1410-P17-00-2.00	PVC, Black	30 AWG	1.88	2.0	BOTTOM
1410-P17-00-3.00	PVC, Black	30 AWG	2.88	3.0	BOTTOM
1410-P17-00-4.00	PVC, Black	30 AWG	3.88	4.0	BOTTOM
1410-P17-00-5.00	PVC, Black	30 AWG	4.88	5.0	BOTTOM
1410-P30-00-4.00	PVC, Black	26 AWG	3.88	4.0	BOTTOM
1410-P30-00-5.00	PVC, Black	26 AWG	4.88	5.0	BOTTOM
1410-P30-00-6.00	PVC, Black	26 AWG	5.88	6.0	BOTTOM
1410-P30-00-7.00	PVC, Black	26 AWG	6.88	7.0	BOTTOM
1411-P17-00-1.00	PVC, Black	30 AWG	0.88	1.0	TOP
1411-P17-00-2.00	PVC, Black	30 AWG	1.88	2.0	TOP
1411-P17-00-3.00	PVC, Black	30 AWG	2.88	3.0	TOP
1411-P17-00-4.00	PVC, Black	30 AWG	3.88	4.0	TOP
1411-P17-00-5.00	PVC, Black	30 AWG	4.88	5.0	TOP
1411-P30-00-4.00	PVC, Black	26 AWG	3.88	4.0	TOP
1411-P30-00-5.00	PVC, Black	26 AWG	4.88	5.0	TOP
1411-P30-00-6.00	PVC, Black	26 AWG	5.88	6.0	TOP
1411-P30-00-7.00	PVC, Black	26 AWG	6.88	7.0	TOP

3M™ PASSIVE TWIN AXIAL CABLE ASSEMBLY FOR SFP+ APPLICATIONS WITH UNIVERSAL PULL TAB

DO NOT SCALE DRAWING NTS

MAX SURFACE ROUGHNESS: 125 (ALL SURFACES)

INTERPRET PER ASME Y14.5 - 1994

THIRD ANGLE PROJECTION

ANGLES ±1.1

MILLIMETERS: ±.00, ±.05, ±.15, ±.30

INCHES: ±.000, ±.005, ±.015, ±.030

3M Center St. Paul, MN 55144

© 3M COPYRIGHT 2016. This document and the information it contains are 3M property and may not be reproduced or further distributed without 3M permission, or used or disclosed other than for 3M authorized purposes.

REV. F 78-5100-2418-1

DEF. LISTS: YES [X] NO [] SHT 2 OF 2

1 2 3 4

A

B

C

D

1 2 3 4

X-ON Electronics

Largest Supplier of Electrical and Electronic Components

Click to view similar products for [Ethernet Cables / Networking Cables](#) category:

Click to view products by [3M](#) manufacturer:

Other Similar products are found below :

[0152660053](#) [603020002](#) [73-7797-25](#) [73-8890-10](#) [73-8890-14](#) [73-8891-14](#) [73-8891-25](#) [73-8892-50](#) [73-8894-10](#) [73-8894-3](#) [73-8895-14](#) [73-8896-7](#) [MCJB2-10P6Q7-120](#) [84909-0204](#) [9QA0-111-12-3.00](#) [1200650742](#) [1200700174](#) [1200860368](#) [1200650013](#) [1201080008](#) [1-21919-1](#) [1300500373](#) [1300101844](#) [1300101845](#) [130050-0004](#) [1300500014](#) [1410147](#) [E16A06002M030](#) [E200102-009-S1](#) [MT14-187L](#) [17-103530](#) [NK5EPC18RDY](#) [NK5EPC18VLY](#) [NK5EPC18YLY](#) [NK5EPC1GRY](#) [NK5EPC30BLY](#) [NK5EPC30VLY](#) [NK5EPC30YLY](#) [NK5EPC4Y](#) [NK5EPC6YLY](#) [NK5EPC8BLY](#) [NK5EPC9YLY](#) [NK6PC30BUY](#) [NK6PC30GRY](#) [NK6PC30RDY](#) [NK6PC30Y](#) [NK6PC30YLY](#) [1969343-6](#) [C501100010](#) [C501106002](#)