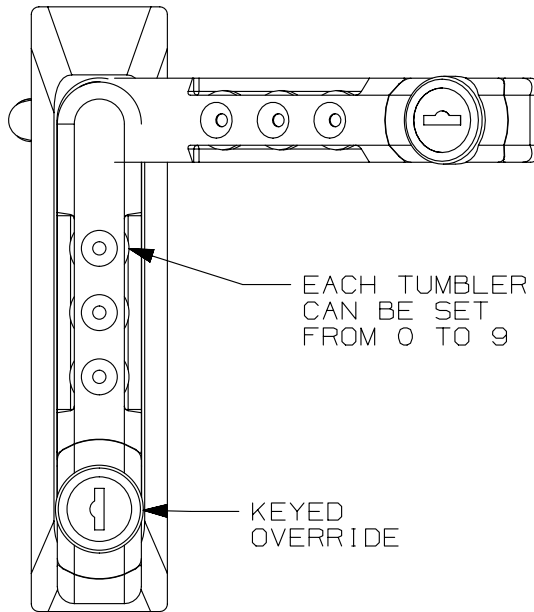
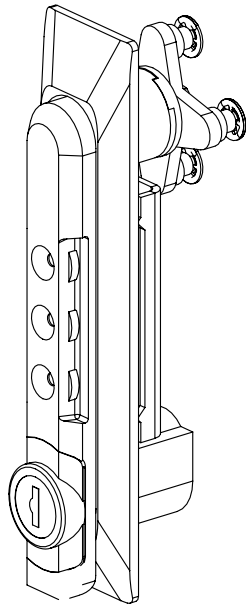


THIS COPY IS PROVIDED ON A RESTRICTED BASIS AND IS NOT TO BE USED IN ANY WAY DETRIMENTAL TO THE INTERESTS OF PANDUIT CORP.



PANDUIT P/N	WEIGHT
CCL3	1.0 LBS/EACH .45 Kg/EACH

NOTES:

- VISIT OUR ON-LINE CATALOG AT [WWW.PANDUIT.COM](http://WWW.PANDUIT.COM) FOR A LIST OF CURRENT PARTS APPLICABLE FOR USE WITH THIS PRODUCT.
- PARTS SUPPLIED:
  - 1 - SWING HANDLE
  - 1 - CAM SCREW
  - 1 - 90° HANDLE STOP DISC
  - 1 - SUPPORT
  - 2 - SUPPORT SCREWS
  - 2 - KEYS (KEYED ALIKE)
- COMBINATION LOCK WILL WORK WITH:
  - NET ACCESS:
  - SINGLE HINGE DOOR - N & S TYPE
  - SPLIT DOORS - N & S TYPE
  - SOLID SINGLE HINGE DOOR - N & S TYPE

DOOR HANDLE SHOWN OPEN  
(KEYS NOT SHOWN)  
ROTATION COUNTERCLOCKWISE TO OPEN  
ROTATION IS REVERSIBLE

										MODEL FILENAME		12V279WA/03.PRT	
										CAD FILENAME/LAYERS		12V279WA_DC/03A.PRT	
										<h1>PANDUIT</h1> CORP. TINLEY PARK, ILLINOIS			
										SWINGHANDLE WITH 3 DIGIT COMBINATION LOCK (CCL3) CUSTOMER DRAWING			
										UNLESS OTHERWISE SPECIFIED, DIMENSIONAL TOLERANCES ARE:		UNLESS OTHERWISE SPECIFIED,	
										INCHES		[METRIC - MILLIMETER] ANGLE	
										X.X +/- 0.06		X. +/- 1.5	
										X.XX +/- 0.03		X.X +/- 0.8	
										X.XXX +/- 0.015		X.XX +/- 0.4	
										DRAWN BY		SCALE	
										PBS		1:2	
										DATE		DRAWING NO.	
										7-08-13		12V279WA-DC	
										CHK'D		SHT 1 OF 1	
										RCHA		A	
										SIZE			
O3A	7-08-13	PBS	RCHA	RELEASED TO PRODUCTION	12V279WA-DC	JDWE							
REV	DATE	BY	CHK	DESCRIPTION	ECN	R	CUST	SUP	OTH				

## X-ON Electronics

Largest Supplier of Electrical and Electronic Components

*Click to view similar products for [Racks & Rack Cabinet Accessories](#) category:*

*Click to view products by [Panduit](#) manufacturer:*

Other Similar products are found below :

[CR-1727](#) [M00-PLN](#) [F2420](#) [F2424](#) [8310-1032-SS](#) [9104](#) [PLFF2000](#) [PLFF6000](#) [GP216](#) [PTFA60000LG](#) [H-9163-B](#) [AC220-84-1](#) [HEH050BA](#)  
[1427C3](#) [BAS-5104](#) [N-700-2](#) [190-002](#) [HTL10](#) [HTS10](#) [PC-118](#) [PC-780L](#) [PC-79](#) [PC-800](#) [SC4-28](#) [F3024](#) [AKWAMT](#) [PLFF1000](#) [GRPB12PG](#)  
[CG3-340S/12](#) [2CWDP36](#) [2CWDP48](#) [2SSHINGE](#) [CP-001BK](#) [CPL19431LG1](#) [R570-004-107](#) [M6123-4007-SS](#) [TS170](#) [531300535](#) [BRX-](#)  
[12290](#) [C4BD3077SBK1](#) [UPS 7-17-14 PLAIN](#) [LP40](#) [5261304-07](#) [CCA26-44-01](#) [706-102](#) [CG3-160G](#) [7112C-PLN ALUM](#) [CM10](#) [TS81](#) [7142](#)