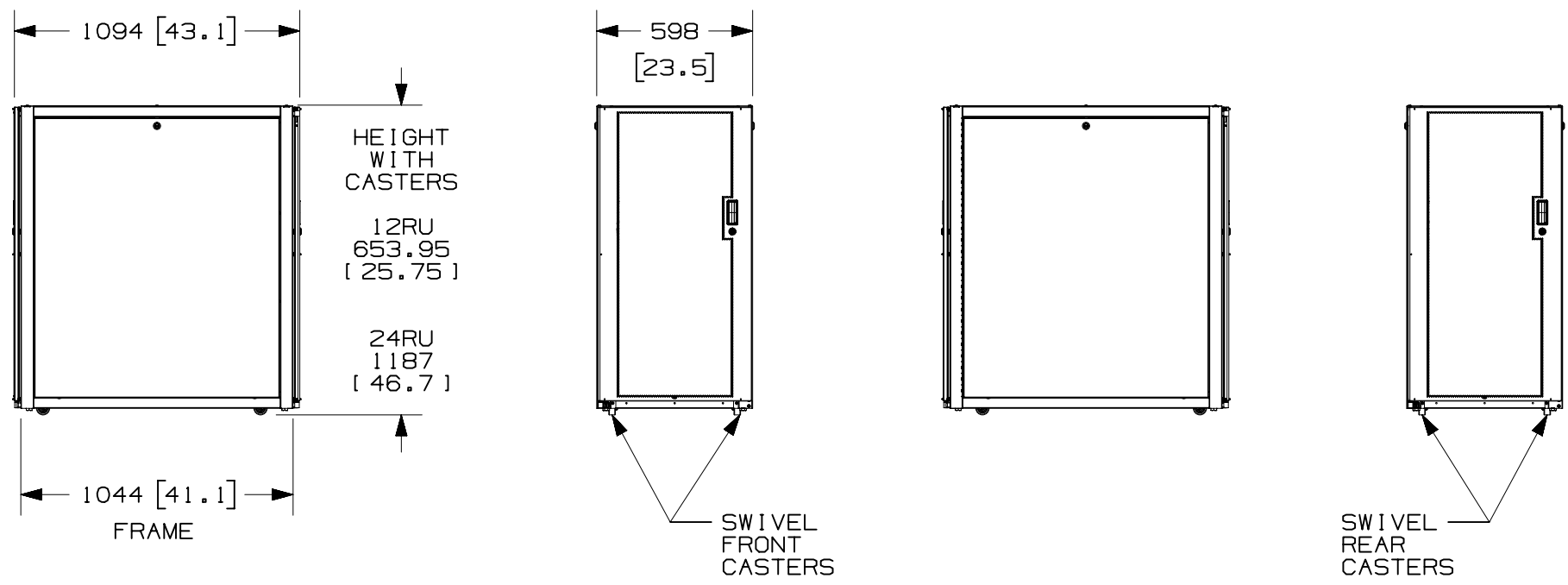


2

1

THIS COPY IS PROVIDED ON A RESTRICTED BASIS AND IS NOT TO BE USED IN ANY WAY DETRIMENTAL TO THE INTERESTS OF PANDUIT CORP.



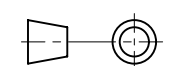
B

B

A

A

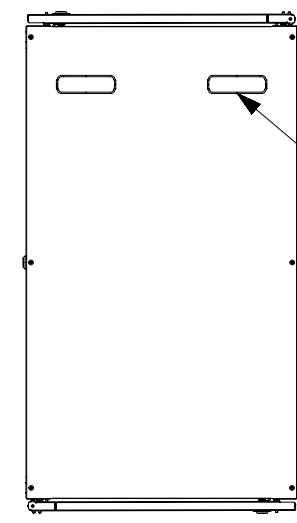
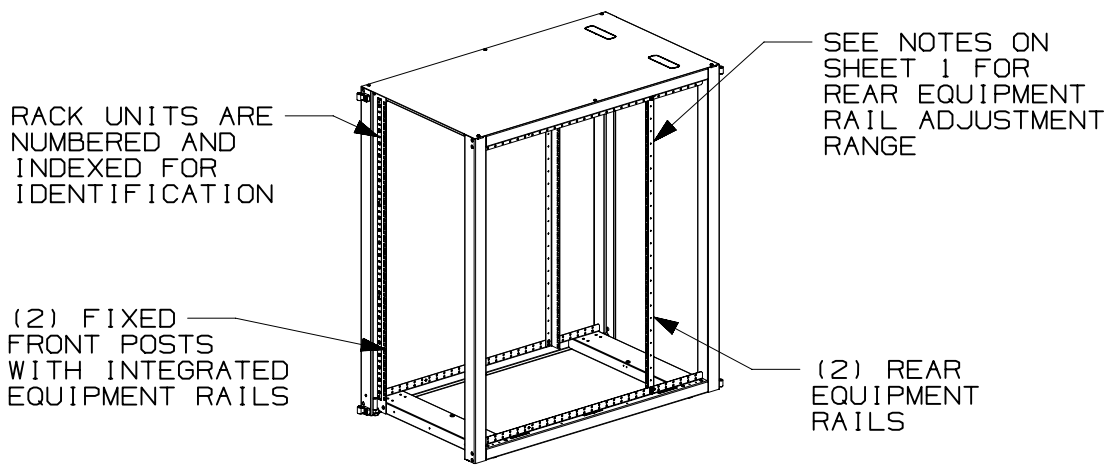
OOA	5-17-13	TKW	PBD		SEE SHEET 1 OF 5 FOR REVISIONS				13V368ZC-DC
REV	DATE	BY	CHK	APR	DESCRIPTION	ECN			

TITLE				ENTERPRISE SERVER CONFIGURED CABINET 600mm WIDE x 1070mm DEEP FAMILY			
CUSTOMER DRAWING							
ITEM REVISION NAME				13V368ZC/00.PRT			
DATASET FILE NAME				13V368ZC_DC/00A.PRT			
UNLESS OTHERWISE SPECIFIED, DIMENSIONAL TOLERANCES ARE:				MATERIAL/COLOR:			
INCHES	+/- 0.03	METRIC - MILLIMETER	+/- 0.8	ANGLE			
X.X	+/- 0.018	X.X	+/- 0.46	+/- 1°			N/A
X.XXX	+/- 0.007	X.XX	+/- 0.18				
THIRD ANGLE PROJECTION				DRAWING NUMBER:			
				13V368ZC-DC			
DRAWN BY	DATE	CHK	SCALE	DRAWING NUMBER:		SIZE	
TKW	5-17-13	PBD	NONE	SHT 3 OF 5		A	

2

1

THIS COPY IS PROVIDED ON A RESTRICTED BASIS AND IS NOT TO BE USED IN ANY WAY DETRIMENTAL TO THE INTERESTS OF PANDUIT CORP.



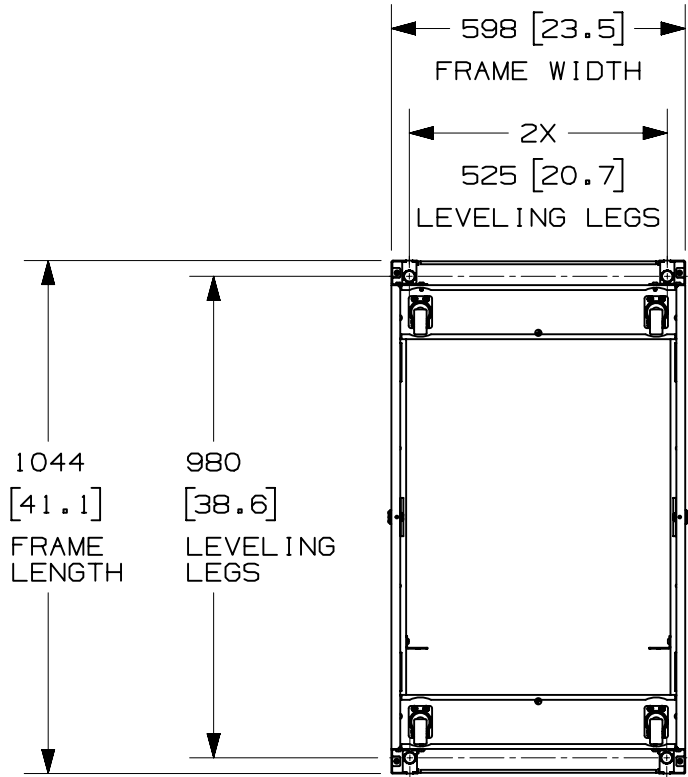
FRONT DOOR, REAR DOOR, AND SIDE PANELS NOT SHOWN

TOP VIEW

OOA	5-17-13	TKW	PBD		SEE SHEET 1 OF 5 FOR REVISIONS	13V368ZC-DC
REV	DATE	BY	CHK	APR	DESCRIPTION	ECN

TITLE ENTERPRISE SERVER CONFIGURED CABINET 600mm WIDE x 1070mm DEEP FAMILY			
CUSTOMER DRAWING			
ITEM REVISION NAME 13V368ZC/00.PRT		PANDUIT TM	
DATASET FILE NAME 13V368ZC_DC/00A.PRT			
UNLESS OTHERWISE SPECIFIED, DIMENSIONAL TOLERANCES ARE:			
INCHES	METRIC - MILLIMETER	ANGLE	
X.X +/- 0.03	X. +/- 0.8	+/- 1°	
X.XX +/- 0.018	X.X +/- 0.46		
X.XXX +/- 0.007	X.XX +/- 0.18		
		DRAWING NUMBER: 13V368ZC-DC	
		MATERIAL/COLOR: N/A	
DRAWN BY TKW	DATE 5-17-13	CHK PBD	SCALE NONE
SHT 4 OF 5			SIZE A

THIS COPY IS PROVIDED ON A RESTRICTED BASIS AND IS NOT TO BE USED IN ANY WAY DETRIMENTAL TO THE INTERESTS OF PANDUIT CORP.



LEVELING LEGS SPACING
SOME PARTS REMOVED FOR CLARITY

REAR OF CABINET
BOTTOM VIEW

					TITLE ENTERPRISE SERVER CONFIGURED CABINET 600mm WIDE x 1070mm DEEP FAMILY					
					CUSTOMER DRAWING					
					ITEM REVISION NAME 13V368ZC/00.PRT			PANDUIT TM		
					DATASET FILE NAME 13V368ZC_DC/00A.PRT					
					UNLESS OTHERWISE SPECIFIED, DIMENSIONAL TOLERANCES ARE:					
					INCHES		METRIC - MILLIMETER		ANGLE	
					X.X +/- 0.03	X. +/- 0.8		MATERIAL/COLOR: N/A		
					X.XX +/- 0.018	X.X +/- 0.46	+/- 1°			
					X.XXX +/- 0.007	X.XX +/- 0.18				
OOA 5-17-13 TKW PBD SEE SHEET 1 OF 5 FOR REVISIONS					13V368ZC-DC					
							THIRD ANGLE PROJECTION		DRAWING NUMBER: 13V368ZC-DC	
REV DATE BY CHK APR DESCRIPTION					DRAWN BY TKW		DATE 5-17-13		CHK PBD	
					SCALE NONE		SHT 5 OF 5		SIZE A	

X-ON Electronics

Largest Supplier of Electrical and Electronic Components

Click to view similar products for [Racks & Rack Cabinets](#) category:

Click to view products by [Panduit](#) manufacturer:

Other Similar products are found below :

[1440-0131-78](#) [1440-0132-78](#) [1440-0133-36](#) [AX103928](#) [5231308-07](#) [C2FSKKBK1](#) [UPS 525-17-9 PLAIN](#) [UPS 350-17-12 PLAIN](#) [UNC-3-7-5-PLAIN](#) [UNC-23/4-6-6-PLAIN](#) [SN8VCMW](#) [R4PCNWH](#) [R4PWH](#) [R4P36CNWH](#) [R4P36WH](#) [NAKIT2.0G5-B](#) [RACK-2.18](#) [RACK-3.18](#) [SR14UBDP](#) [SR42UBDP48](#) [SR48UBDP48](#) [1440-0131-84](#) [UPS350 12-14 SEMI-GLOSS BLK](#) [UPH 350-12-14-BT](#) [UPR 525-17-14](#) [BLU/WHT](#) [RM1908BKVP](#) [RM2U19BKFP](#) [DN-WD19 12U/600](#) [1564A2BK1](#) [895-39949](#) [5231304-07](#) [18P3317](#) [18P4545](#) [HCT302411H](#) [HCT362011H](#) [HCT363011H](#) [HCT363611H](#) [HCT482411H](#) [HCT483011H](#) [HCT483611H](#) [HCT484814H](#) [1UHD722918N4SS](#) [RM3U19BKFP](#) [RM2U1918SBK](#) [2CLD83643](#) [2CLD84843](#) [2CLT204843](#) [RB-2PA1945NF](#) [RB-2PA1945BK](#) [RB-2PA2345NF](#)