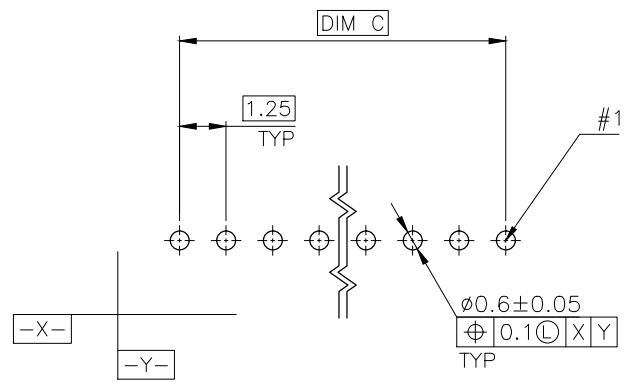
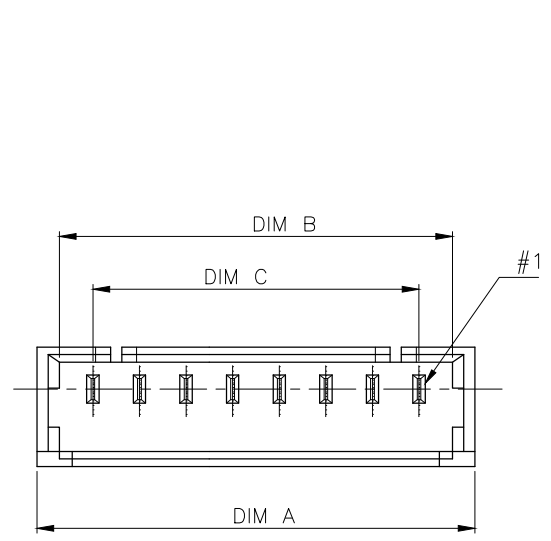
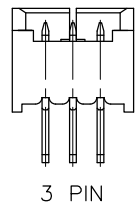
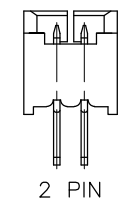
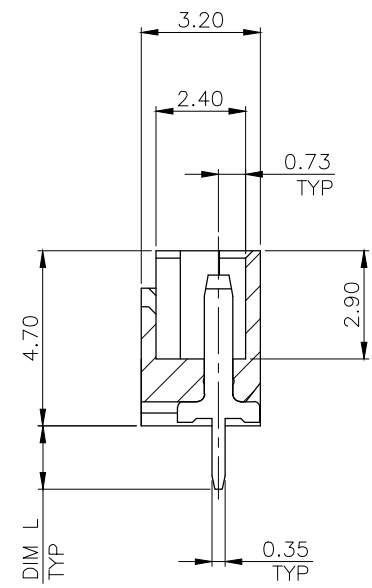
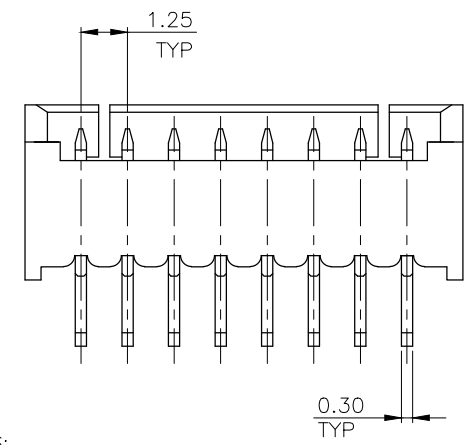


THIS DRAWING IS UNPUBLISHED. RELEASED FOR PUBLICATION
 © COPYRIGHT 2013 BY TE CONNECTIVITY. ALL RIGHTS RESERVED.

LOC	DIST	REVISIONS					
DW	-	P	LTR	DESCRIPTION	DATE	DWN	APVD
		R1		REVISED (ECR-15-008027), ADD NEW PN	27MAY15	S.C.	H.L.



RECOMMENDED PCB LAYOUT (TOP VIEW)
 TOLERANCE: ±0.05, THICKNESS: 1.2MM ~ 1.8MM



3.70	2.30	5.00	6.80	8.00	5	6-1734598-0					
	17.50	19.30	20.50	15	5-1734598-5						
	16.25	18.05	19.25	14	5-1734598-4						
	15.00	16.80	18.00	13	5-1734598-3						
	13.75	15.55	16.75	12	5-1734598-2						
	12.50	14.30	15.50	11	5-1734598-1						
	11.25	13.05	14.25	10	5-1734598-0						
	10.00	11.80	13.00	9	4-1734598-9						
	8.75	10.55	11.75	8	4-1734598-8						
	7.50	9.30	10.50	7	4-1734598-7						
2.30	6.25	8.05	9.25	6	4-1734598-6						
	5.00	6.80	8.00	5	4-1734598-5						
	3.75	5.55	6.75	4	4-1734598-4						
	2.50	4.30	5.50	3	4-1734598-3						
	1.25	3.05	4.25	2	4-1734598-2						
	17.50	19.30	20.50	15	3-1734598-5						
	16.25	18.05	19.25	14	3-1734598-4						
	15.00	16.80	18.00	13	3-1734598-3						
	13.75	15.55	16.75	12	3-1734598-2						
	12.50	14.30	15.50	11	3-1734598-1						
1.70	11.25	13.05	14.25	10	3-1734598-0						
	10.00	11.80	13.00	9	2-1734598-9						
	8.75	10.55	11.75	8	2-1734598-8						
	7.50	9.30	10.50	7	2-1734598-7						
	6.25	8.05	9.25	6	2-1734598-6						
	5.00	6.80	8.00	5	2-1734598-5						
	3.75	5.55	6.75	4	2-1734598-4						
	2.50	4.30	5.50	3	2-1734598-3						
	1.25	3.05	4.25	2	2-1734598-2						
	17.50	19.30	20.50	15	1-1734598-5						
DIM. L	16.25	18.05	19.25	14	1-1734598-4						
	15.00	16.80	18.00	13	1-1734598-3						
	13.75	15.55	16.75	12	1-1734598-2						
	12.50	14.30	15.50	11	1-1734598-1						
	11.25	13.05	14.25	10	1-1734598-0						
	10.00	11.80	13.00	9	1734598-9						
	8.75	10.55	11.75	8	1734598-8						
	7.50	9.30	10.50	7	1734598-7						
	6.25	8.05	9.25	6	1734598-6						
	5.00	6.80	8.00	5	1734598-5						
DIM. L		DIM. C		DIM. B		DIM. A		NO. OF CONTACTS		PART NUMBER	

- NOTES:
- MATERIAL:
HOUSING: PA9T W/ 30% GF, UL94 V-0, NATURAL COLOR.
CONTACTS: PHOSPHOR BRONZE.

- FINISH:
CONTACTS: 120µ" MIN. MATTE-TIN OVER 50µ" MIN. NICKEL PLATED.

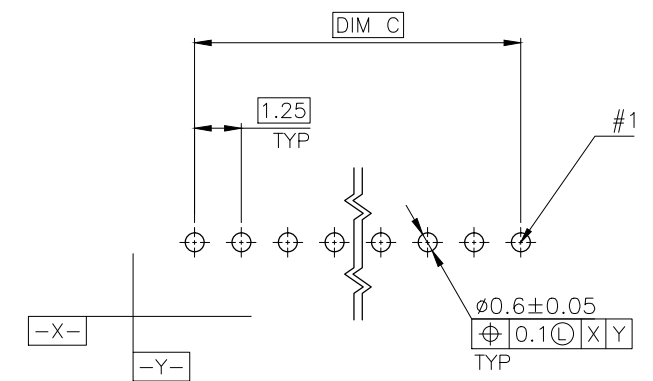
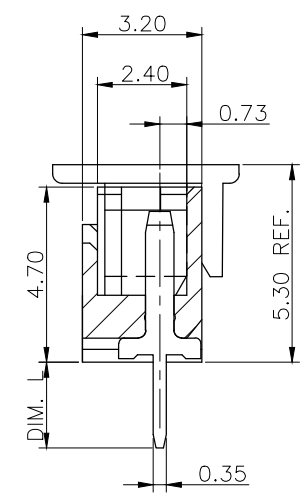
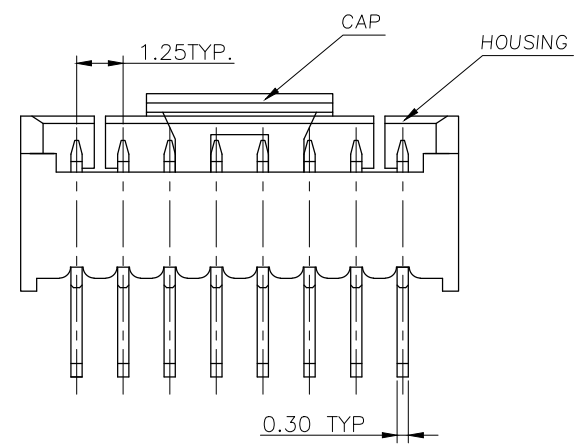
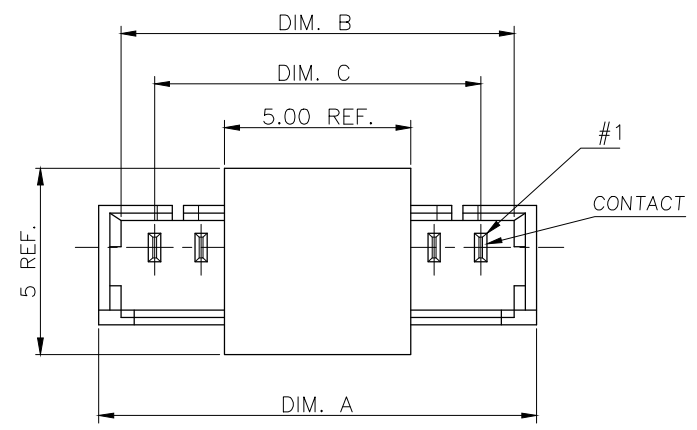
A 0.762µm [30µ"] MIN. GOLD PLATED ON CONTACT AREA,
 GOLD FLASH ON SOLDER TAILS, 1.27µm [50µ"] MIN. NICKEL
 ON ENTIRE CONTACT.

- NO TE LOGO AND DATE CODE ON THE PRODUCT.

THIS DRAWING IS A CONTROLLED DOCUMENT.		DWN A. WU 30DEC2005	TE Connectivity				
DIMENSIONS: MM		CHK S. HOU 30DEC2005					
TOLERANCES UNLESS OTHERWISE SPECIFIED:		APVD W.J. KE 30DEC2005	NAME				
0 PLC ± .3 1 PLC ± 0.3 2 PLC ± 0.2 3 PLC ± .2 4 PLC ± .2 ANGLES ± 5°		PRODUCT SPEC 108-57273	1.25 MM PITCH WIRE-TO-BOARD CONNECTOR, HEADER, DIP, VERTICAL				
MATERIAL SEE NOTE		APPLICATION SPEC -	SIZE A3	CAGE CODE 00779	DRAWING NO C=1734598	RESTRICTED TO -	
FINISH SEE NOTE		WEIGHT -	CUSTOMER DRAWING		SCALE -	SHEET 1 of 4	REV R1

THIS DRAWING IS UNPUBLISHED. RELEASED FOR PUBLICATION
 © COPYRIGHT 2013 BY TE CONNECTIVITY. ALL RIGHTS RESERVED.

LOC	DW	DIST	REVISIONS			
P	LTR	DESCRIPTION	DATE	DWN	APVD	
		SEE SHEET 1				



RECOMMENDED PCB LAYOUT (TOP VIEW)
 TOLERANCE: ±0.05, THICKNESS: 1.6MM

NOTE:

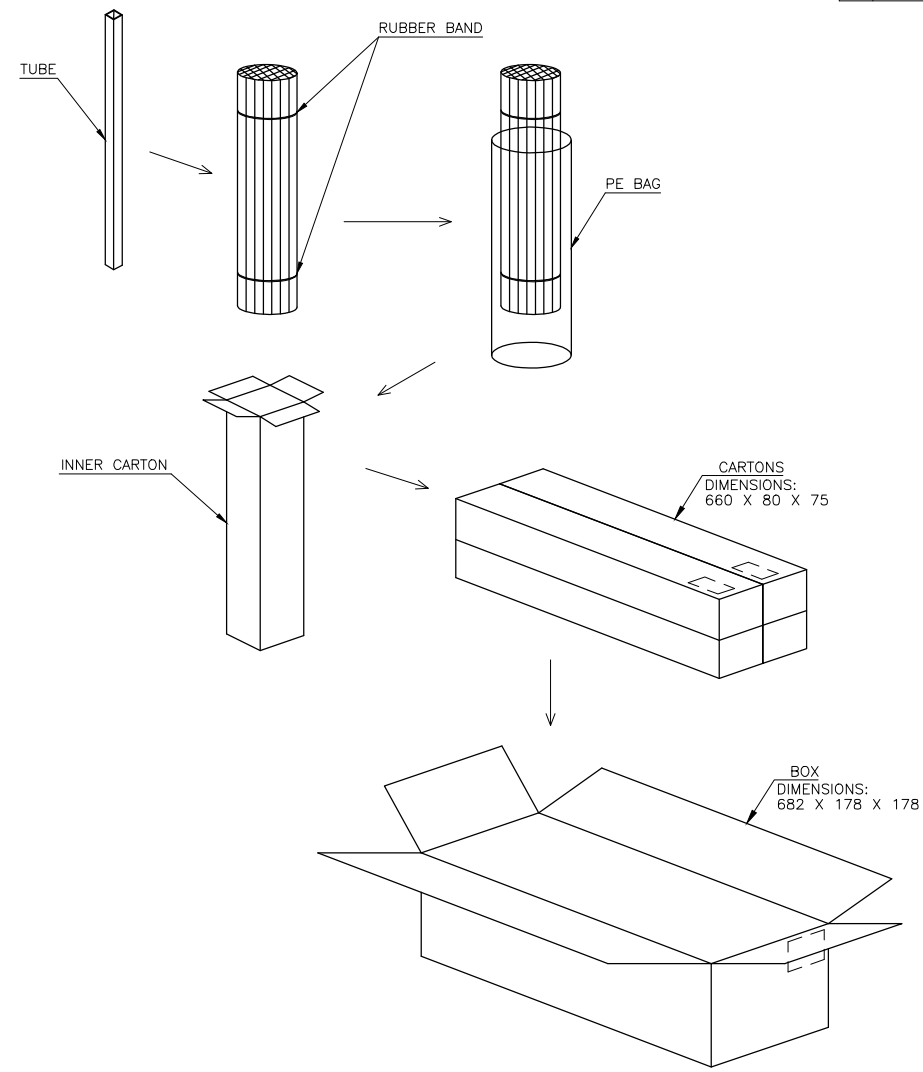
- MATERIAL:
 HOUSING: THERMOPLASTIC (LCP) WITH 30% GF, UL 94V-0, NATURE COLOR.
 CAP: THERMOPLASTIC (LCP) WITH 30% GF, UL 94V-0, COLOR BLACK
 CONTACTS: PHOSPHOR BRONZE.
- FINISH:
 CONTACTS: 3.048µm[120µ"] MIN. MATTE-TIN OVER
 1.27µm[50µ"] MIN. NICKEL ON ENTIRE CONTACT.
- REFLOW SOLDER CAPABLE TO 260°C PER TE SPEC. TEC-109-201, CONDITION B.
- LOW HALOGEN SPECIFICATION:
 CHLORINE(Cl): 900ppm MAX.
 BROMINE(Br): 900ppm MAX.
- NO TE LOGO AND DATE CODE ON THE PRODUCT.
- PACKAGE : TAPE AND REEL TYPE (SEE PAGE 4)

2.30	8.75	10.55	11.75	8	6-1734598-1
DIM. L	DIM. C	DIM. B	DIM. A	NO. OF CONTACTS	PART NUMBER

THIS DRAWING IS A CONTROLLED DOCUMENT.		DWN				
DIMENSIONS: MM		CHK				
TOLERANCES UNLESS OTHERWISE SPECIFIED:		APVD				
0 PLC ± - 1 PLC ± - 2 PLC ± - 3 PLC ± - 4 PLC ± - ANGLES ± - MATERIAL FINISH		NAME				
		PRODUCT SPEC	1.25 MM PITCH WIRE-TO-BOARD CONNECTOR, HEADER, DIP, VERTICAL			
		APPLICATION SPEC	SIZE	CAGE CODE	DRAWING NO	RESTRICTED TO
		WEIGHT	A3	00779	C=1734598	-
CUSTOMER DRAWING			SCALE	SHEET	2 of 4	REV R1

THIS DRAWING IS UNPUBLISHED. RELEASED FOR PUBLICATION
 © COPYRIGHT 2013 BY TE CONNECTIVITY. ALL RIGHTS RESERVED.

LOC DW	DIST -	REVISIONS			
P	LTR	DESCRIPTION	DATE	DWN	APVD
		SEE SHEET 1			



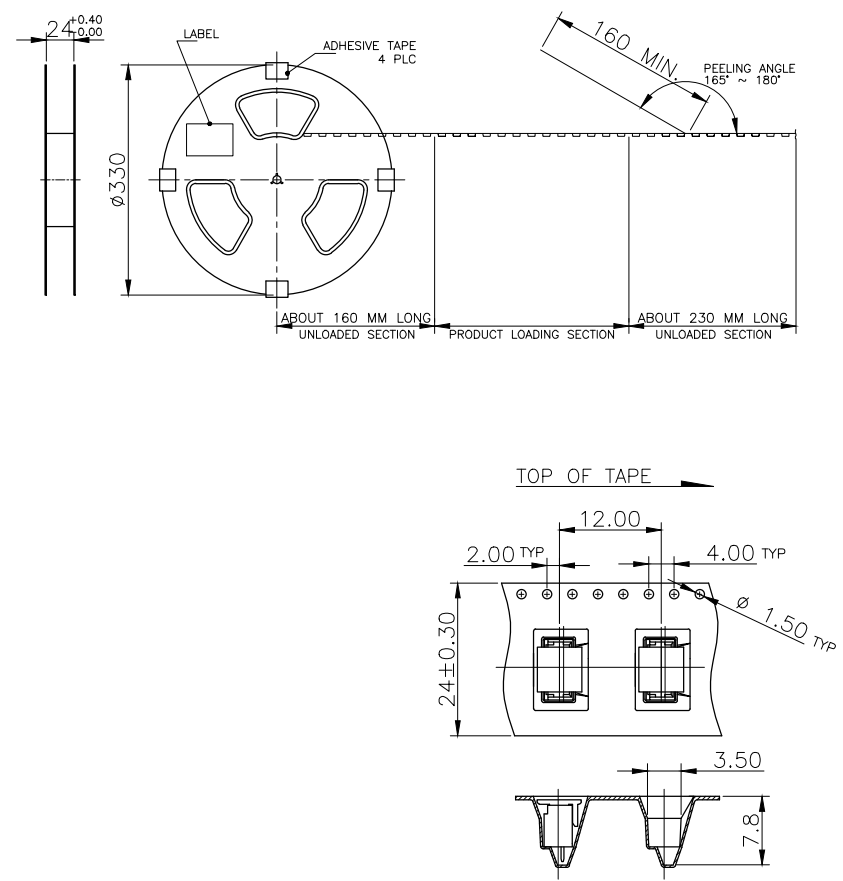
NOTE:
 1. PN 6-1734598-1 SEE NEXT PAGE

200	6000	30	5.948	2.178	15
	6400	32	5.920	2.150	14
	6800	34	5.919	2.148	13
	7200	36	5.959	2.188	12
	7800	39	5.868	2.098	11
	8600	43	5.972	2.201	10
	9400	47	5.970	2.199	9
	10400	52	5.954	2.184	8
	11600	58	5.974	2.204	7
	13200	66	5.850	2.112	6
	15200	76	5.929	2.158	5
	18000	90	5.930	2.160	4
22000	110	5.950	2.178	3	
28200	141	5.915	2.143	2	
TUBES/ BOX	QUANTITY	PCS/ TUBE	G/W (KG)	N/W (KG)	NO. OF CONTACTS

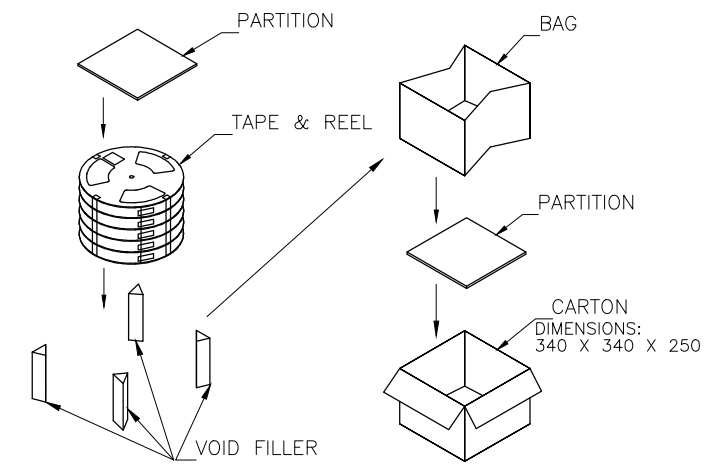
THIS DRAWING IS A CONTROLLED DOCUMENT.		DWN -	TE Connectivity		
DIMENSIONS: MM		CHK -			
		APVD -	NAME		
TOLERANCES UNLESS OTHERWISE SPECIFIED:		PRODUCT SPEC	1.25 MM PITCH WIRE-TO-BOARD CONNECTOR, HEADER, DIP, VERTICAL		
0 PLC ± -		APPLICATION SPEC	SIZE CAGE CODE DRAWING NO RESTRICTED TO		
1 PLC ± -		WEIGHT	A3 00779 C=1734598		
2 PLC ± -		CUSTOMER DRAWING			
3 PLC ± -		SCALE	SHEET 3 of 4 REV R1		
4 PLC ± -					
ANGLES ± -					
FINISH					

THIS DRAWING IS UNPUBLISHED. RELEASED FOR PUBLICATION
 © COPYRIGHT 2013 BY TE CONNECTIVITY. ALL RIGHTS RESERVED.

LOC	DIST	REVISIONS					
DW	-	P	LTR	DESCRIPTION	DATE	DWN	APVD
				SEE SHEET 1			



- NOTE:
1. PEELING FORCE: 10g ~ 130g.
 2. PEELING SPEED: 300mm/min.(REFERENCE)



5.7	0.87	700	7	4900	6-1734598-1
G/W (Kg)	N/W (Kg)	PCS/TAPE	REELS/BOX	NO. OF CONTACTS	PART NUMBER

THIS DRAWING IS A CONTROLLED DOCUMENT.		DWN	-	STE TE Connectivity	
DIMENSIONS: MM		CHK	-		
TOLERANCES UNLESS OTHERWISE SPECIFIED:		APVD	-	NAME	
0 PLC ± -		PRODUCT SPEC		1.25 MM PITCH WIRE-TO-BOARD CONNECTOR, HEADER, DIP, VERTICAL	
1 PLC ± -		APPLICATION SPEC		RESTRICTED TO	
2 PLC ± -		WEIGHT		-	
3 PLC ± -		SIZE		A3	
4 PLC ± -		CAGE CODE		00779	
ANGLES ± -		DRAWING NO		C=1734598	
FINISH		CUSTOMER DRAWING		SCALE - SHEET 4 of 4 REV R1	

X-ON Electronics

Largest Supplier of Electrical and Electronic Components

Click to view similar products for [Headers & Wire Housings](#) category:

Click to view products by [TE Connectivity](#) manufacturer:

Other Similar products are found below :

[95000-104TRLF](#) [10135584-644402LF](#) [DF62W-EP2022PCA](#) [95000-106TRLF](#) [DF62W-2022SCA](#) [DF62W-EP2022PC](#) [2203348](#) [DF62W-2022SC](#) [1084018](#) [1029039](#) [1084017](#) [802-10-012-10-002000](#) [1112640](#) [1112639](#) [000-34000](#) [0009482033](#) [0009507031](#) [57102-S06-03LF](#) [57202-S52-04LF](#) [PCN6-15S-2.5E](#) [0039019024](#) [58102-G61-06LF](#) [582553-1](#) [0009485154](#) [0009508121](#) [0022285053](#) [0050291907](#) [018731A](#) [LY20-4P-DT1-P1E-BR](#) [02.125.8002.8](#) [60101931](#) [60598-1 \(Cut Strip\)](#) [M1625-3R/100](#) [61062-3](#) [61082-181009](#) [636-1427](#) [638009-1](#) [641938-9](#) [641991-4](#) [644168-1](#) [647662-1](#) [65039-019ELF](#) [65817-002LF](#) [65817-015LF](#) [65863-015LF](#) [66207-023LF](#) [67016-026LF](#) [67046-001LF](#) [67095-007LF](#) [67230-005LF](#)