


RM32N

miniature relays



- DC coils - of up to 24 V DC, low coil power 0,20 W (sensitive version) or 0,45 W (standard version)
- For PCB • Very small dimensions, light weight
- High load up to 10 A / 125 V AC ❶
- Application: for household electrical appliance, automation systems, electrical equipment, instrument and meter, telecommunication devices, remote control facilities, light controllers, etc.
- Recognitions, certifications, directives: RoHS, 

Contact data

Number and type of contacts		1 CO, 1 NO	
Contact material		AgSnO₂	
Rated / max. switching voltage	AC	250 V / 277 V	
Min. switching voltage		5 V	
Rated load	AC1	1 CO: 5 A / 5 A (NO/NC) / 250 V AC 1 CO: 10 A / 125 V AC ❶	1 NO: 5 A / 250 V AC 1 NO: 10 A / 125 V AC
	DC1	1 CO: 5 A / 5 A (NO/NC) / 28 V DC	1 NO: 5 A / 28 V DC
Rated current		5 A	
Max. breaking capacity	AC1	1 250 VA	
	AC3	186 W	0,25 HP UL 508 (single-phase motor)
Contact resistance		≤ 100 mΩ	
Coil data			
Rated voltage	DC	5 ... 24 V	
Must release voltage		DC: ≥ 0,05 U _n	
Operating range of supply voltage		see Tables 1, 2	
Rated power consumption	DC	0,20 W sensitive version ❶	0,45 W standard version
Insulation according to PN-EN 60664-1			
Insulation resistance		100 MΩ	500 V DC, 60 s
Dielectric strength	• between coil and contacts	2 500 V AC	type of insulation: basic
	• contact clearance	1 000 V AC	type of clearance: micro-disconnection
General data			
Operating / release time (typical values)		8 ms / 5 ms	
Electrical life (number of cycles)	• resistive AC1	1 800 cycles/hour	10 ⁵ 1 CO: 5 A / 5 A (NO/NC), 250 V AC 1 NO: 5 A, 250 V AC
	• resistive DC1	1 800 cycles/hour	10 ⁵ 1 CO: 5 A / 5 A (NO/NC), 28 V DC 1 NO: 5 A, 28 V DC
Mechanical life	18 000 cycles/hour	10 ⁷	
Dimensions (L x W x H)		18,8 x 10,6 x 15,3 mm	
Weight		6 g	
Ambient temperature	• operating	-40...+70 °C	
Cover protection category		IP 64	PN-EN 60529
Shock resistance		10 g	
Vibration resistance		1,5 mm DA (constant amplitude)	10...55 Hz
Solder bath temperature		max. 235 °C	
Soldering time		max. 3 s	

The data in bold type pertain to the standard versions of the relays.

❶ Only for contacts 1 NO

RM32N

miniature relays

Coil data - DC voltage version, sensitive

Table 1

Coil code ❶	Rated voltage V DC	Coil resistance at 20 °C Ω	Acceptable resistance	Coil operating range V DC	
				min. (at 20 °C)	max. (at 20 °C)
S005	5	125	± 10%	3,75	6,5
S009	9	405	± 10%	6,75	11,7
S012	12	720	± 10%	9,00	15,6
S018	18	1 620	± 10%	13,50	23,4
S024	24	2 880	± 10%	18,00	31,2

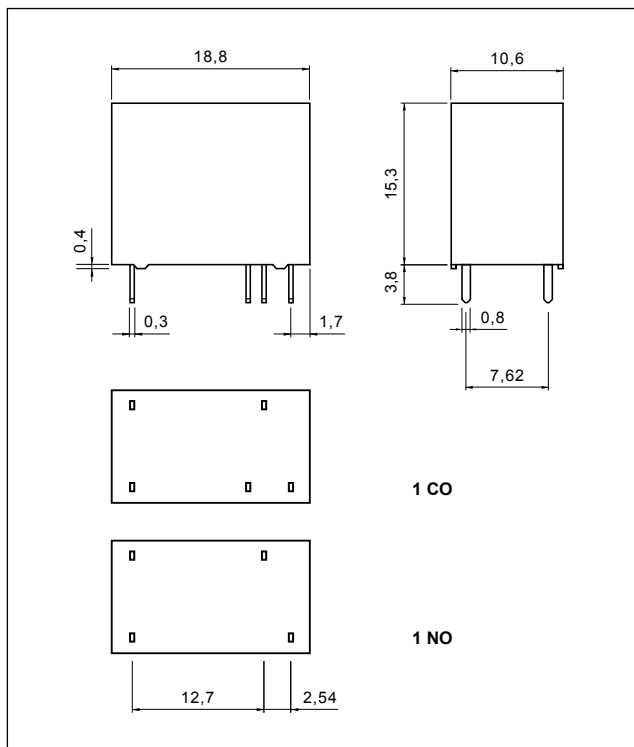
❶ Only for contacts 1 NO

Coil data - DC voltage version, standard

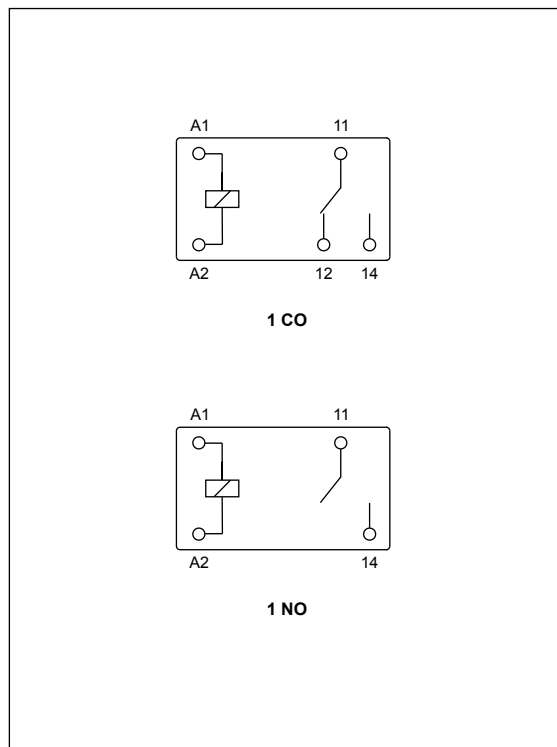
Table 2

Coil code	Rated voltage V DC	Coil resistance at 20 °C Ω	Acceptable resistance	Coil operating range V DC	
				min. (at 20 °C)	max. (at 20 °C)
1005	5	56	± 10%	3,75	6,5
1009	9	180	± 10%	6,75	11,7
1012	12	320	± 10%	9,00	15,6
1018	18	720	± 10%	13,50	23,4
1024	24	1 280	± 10%	18,00	31,2

Dimensions



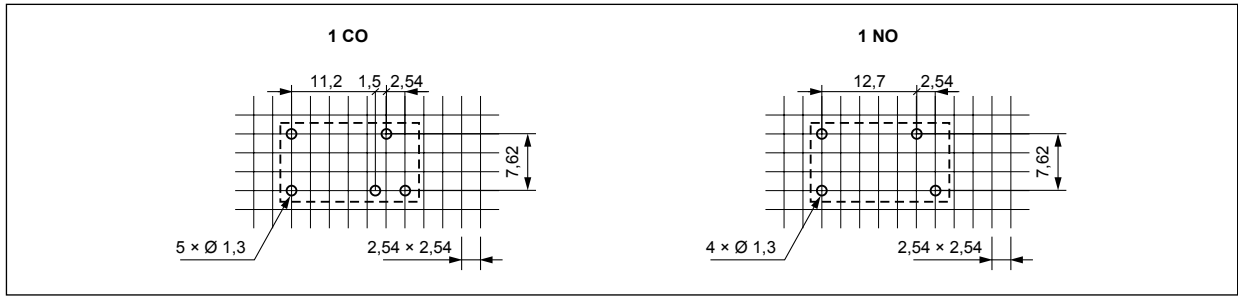
Connection diagrams (pin side view)



RM32N

miniature relays

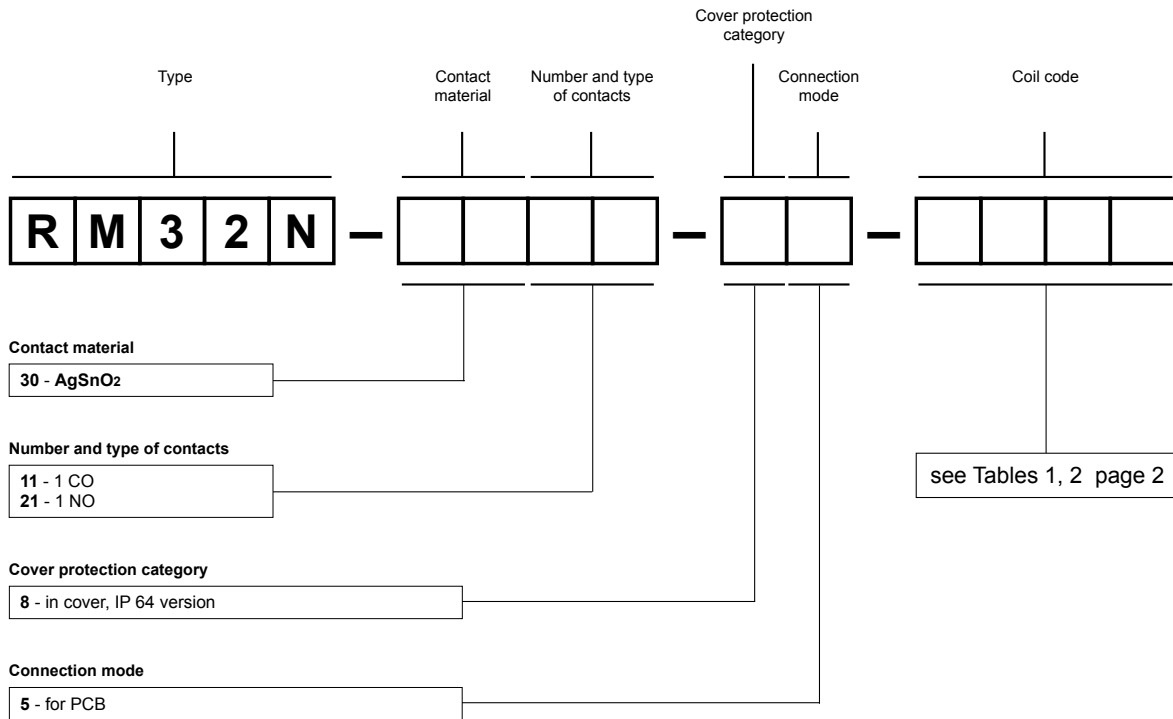
Pinout (solder side view)



Mounting

Relays **RM32N** are designed for direct PCB mounting.

Ordering codes



Examples of ordering codes:

RM32N-3021-85-S018

relay **RM32N**, for PCB, one normally open contact, contact material AgSnO₂, sensitive coil voltage 18 V DC, in cover IP 64

RM32N-3011-85-1024

relay **RM32N**, for PCB, one changeover contact, contact material AgSnO₂, standard coil voltage 24 V DC, in cover IP 64

PRECAUTIONS:

1. Ensure that the parameters of the product described in its specification provide a safety margin for the appropriate operation of the device or system and never use the product in circumstances which exceed the parameters of the product. 2. Never touch any live parts of the device. 3. Ensure that the product has been connected correctly. An incorrect connection may cause malfunction, excessive heating or risk of fire. 4. In case of any risk of any serious material loss or death or injuries of humans or animals, the devices or systems shall be designed so to equip them with double safety system to guarantee their reliable operation.

X-ON Electronics

Largest Supplier of Electrical and Electronic Components

Click to view similar products for [General Purpose Relays](#) category:

Click to view products by [Relpol](#) manufacturer:

Other Similar products are found below :

[APF30318](#) [JVN1AF-4.5V-F](#) [PCN-105D3MHZ](#) [5JO-10000S-SIL](#) [5JO-1000CD-SIL](#) [5JO-400CD-SIL](#) [LY2S-AC220/240](#) [LYQ20DC12](#)
[6031007G](#) [6131406HQ](#) [6-1393099-8](#) [6-1393122-4](#) [6-1393123-2](#) [6-1393767-1](#) [6-1393843-7](#) [6-1415012-1](#) [6-1419102-2](#) [6-1423698-4](#) [6-](#)
[1608051-6](#) [6-1608067-0](#) [6-1616170-6](#) [6-1616248-2](#) [6-1616282-3](#) [6-1616348-2](#) [6-1616350-1](#) [6-1616350-8](#) [6-1616358-7](#) [6-1616359-9](#) [6-](#)
[1616360-9](#) [6-1616931-6](#) [6-1617039-1](#) [6-1617052-1](#) [6-1617090-2](#) [6-1617090-5](#) [6-1617347-5](#) [6-1617353-3](#) [6-1617801-8](#) [6-1618107-9](#) [6-](#)
[1618248-4](#) [M83536/1-027M](#) [M83725/1-005](#) [CX-4014](#) [MAHC-5494](#) [MAVCD-5419-6](#) [703XCX-120A](#) [7-1393100-5](#) [7-1393111-7](#) [7-](#)
[1393144-5](#) [7-1393767-8](#) [7-1414968-8](#)