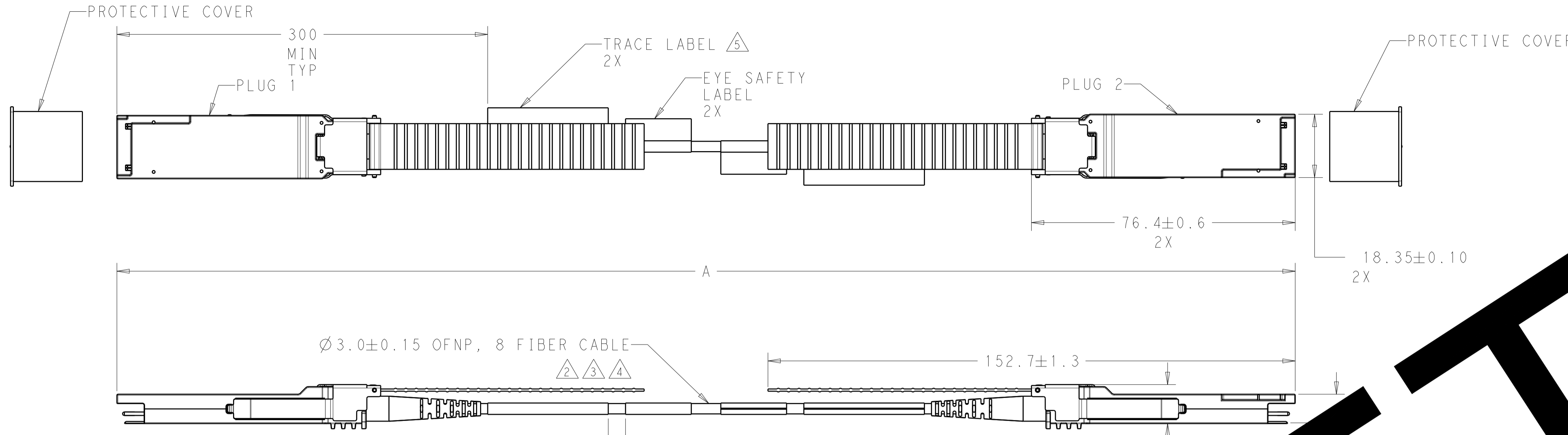
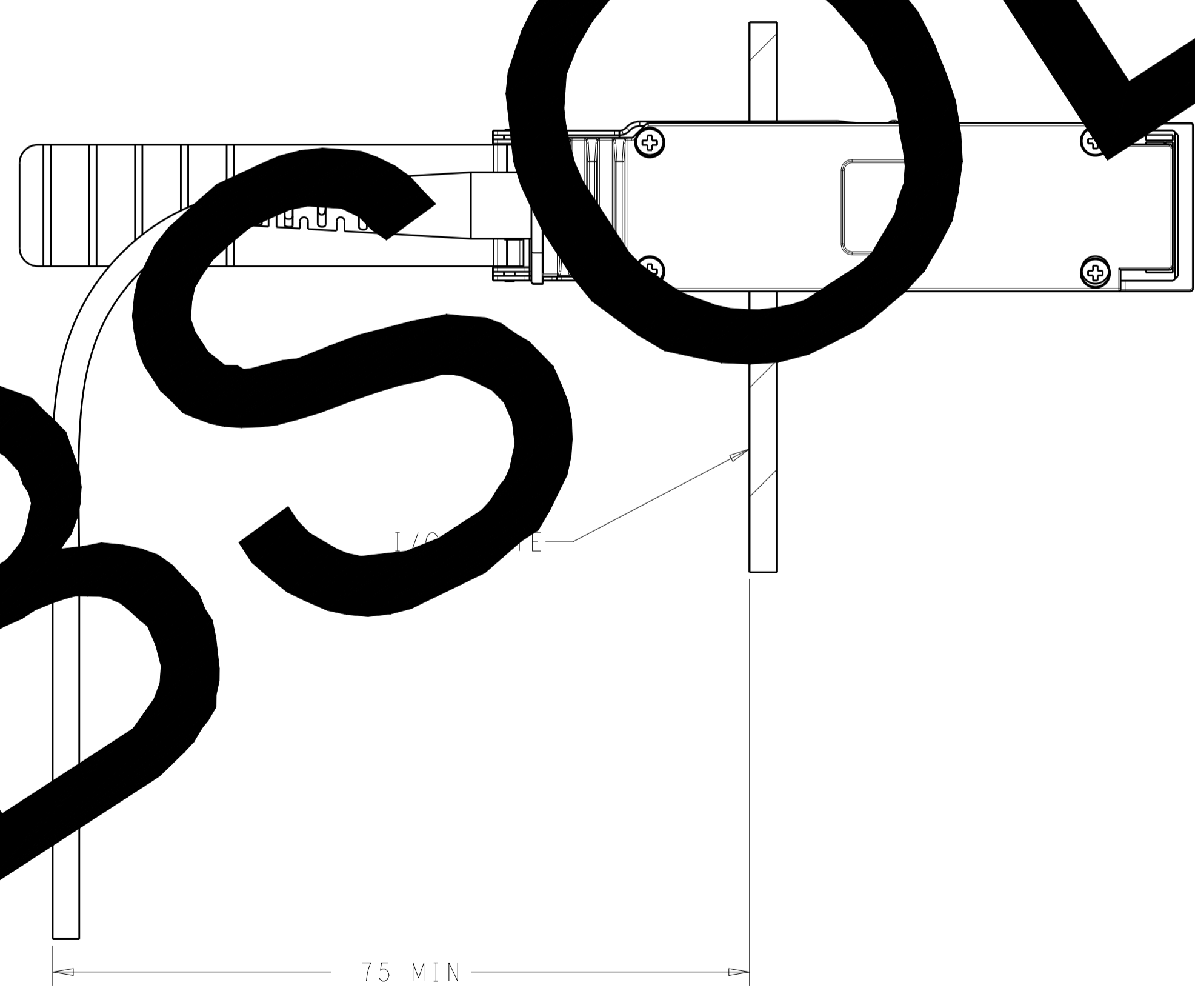
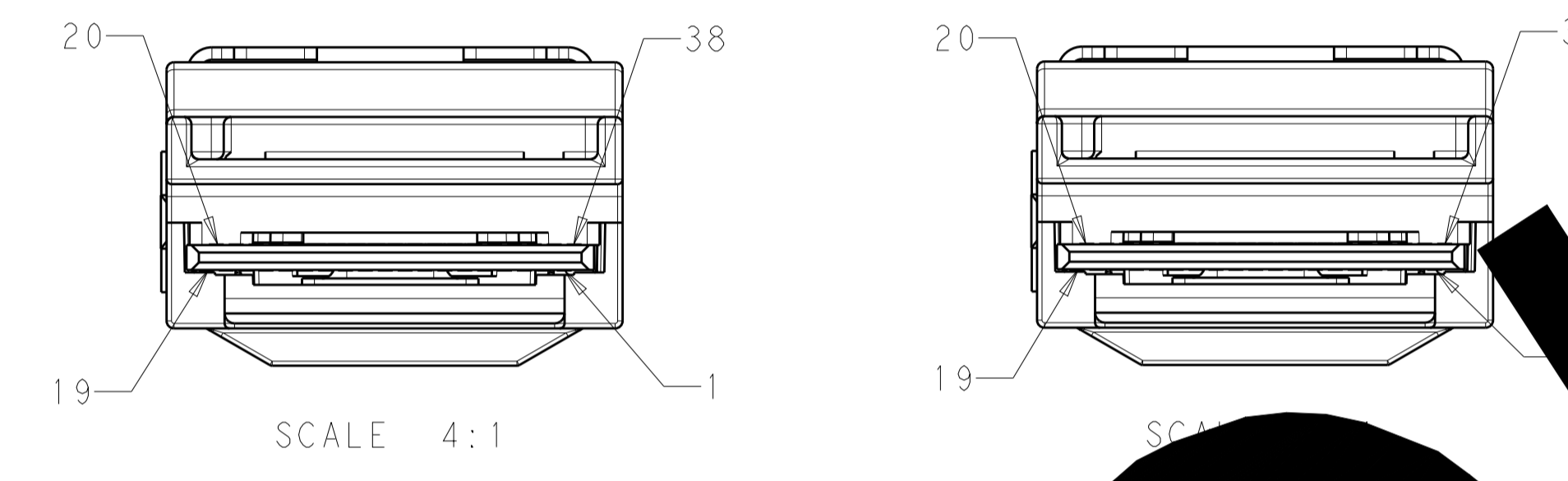
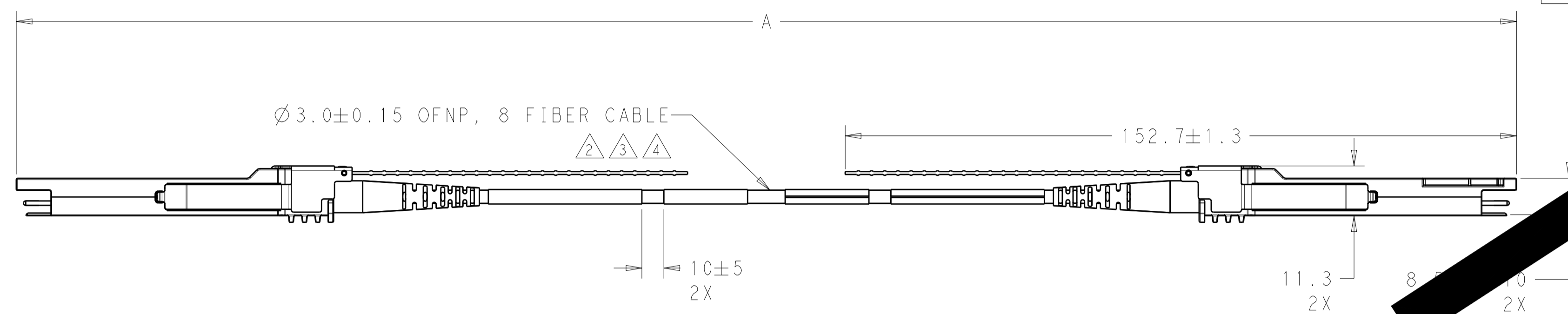


LOC	DIST	REVISIONS					
CE	00	P	LTN	DESCRIPTION	DATE	DWN	APVD
		G		ECR-15-001919	05FEB2015	SW	RZ
		G1		OBSOLETE PER ECR-16-006201	08JUL2016	DEH	JC



1. CONFORMS TO 8-1773461-8 PRODUCT PERFORMANCE REQUIREMENTS, VERIFIED IN ACCORDANCE WITH 501-122042.
- ⚠ CAUTION! CUTTING CABLE MAY RESULT IN HAZARDOUS RADIATION EXPOSURE.
- 3 CONFORMS TO GR-409-CORE INTERCONNECT CABLE REQUIREMENTS.
- 4 STANDARD OM2 CABLE TO BE USED FOR LENGTHS UP TO 30 METERS, OM3 CABLE FOR LENGTHS OVER 30 METERS.
- 5 STANDARD TRACE LABEL.
- 6 CHANNEL GROUND IS ISOLATED FROM SIGNAL GROUND (GND) IN CHANNEL END CONNECTOR.
- ⚠ THESE CABLES ARE NOT CARRIED THROUGH TO THE OTHER END, SINCE EACH END OF THE CABLE IS POWERED SEPARATELY.
8. THE QSFP MODULES IMPLEMENT THE I<sup>2</sup>C INTERFACE DESCRIBED IN SFF-8631 REV 1.0.
9. EEPROM PROGRAM NUMBER 2123909.EEPROM\_CD REV G. CONTAINS FIRMWARE REVISION 6.15.



OBSOLETE

21±0.21	2-2123909-4
19±0.19	2-2123909-3
18±0.18	2-2123909-2
17±0.17	2-2123909-1
16±0.16	2-2123909-0
14±0.15	1-2123909-9
13±0.15	1-2123909-8
12±0.15	1-2123909-7
11±0.15	1-2123909-6
9±0.15	1-2123909-5
8±0.15	1-2123909-4
7±0.15	1-2123909-3
1±0.15	1-2123909-2
100±0.15	1-2123909-1
50±0.50	1-2123909-0
40±0.40	2123909-9
30±0.30	2123909-8
25±0.25	2123909-7
20±0.20	2123909-6
15±0.15	2123909-5
10±0.15	2123909-4
5±0.15	2123909-3
3±0.15	2123909-2
2±0.15	2123909-1
⚠A/(m)	PART NUMBER

THIS DRAWING IS A CONTROLLED DOCUMENT.

DWN: B. FAIR 13JUNE2013  
 CHK: B. BRIGGS 13JUNE2013  
 APVD: D. BAECHTLE 13JUNE2013

**STE** TE Connectivity

NAME: 40GbE, QSFP+(10), PARALIGHT, AOCA

PRODUCT SPEC: -  
 APPLICATION SPEC: -

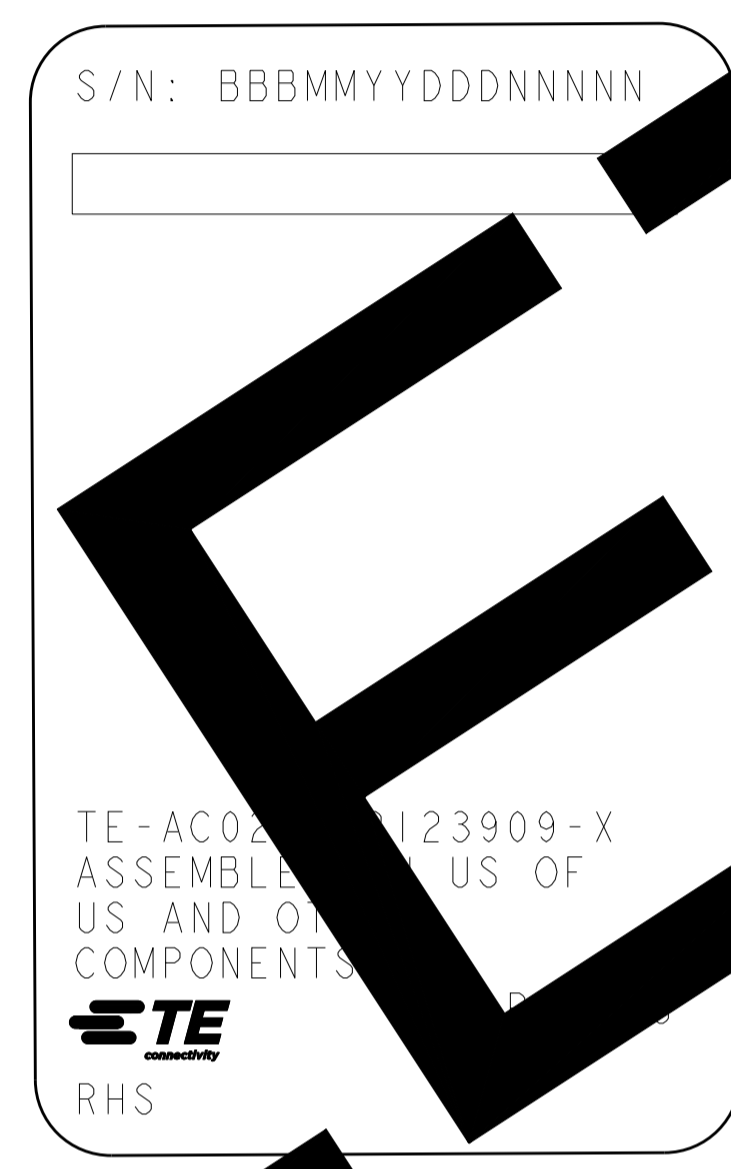
SIZE: A1 CAGE CODE: 100779 DRAWING NO: C=2123909 RESTRICTED TO: -

WEIGHT: -  
 Customer Drawing SCALE: 5:4 SHEET: 1 OF 2 REV: G1

LOC	DIST	REVISIONS					
		P	LTN	DESCRIPTION	DATE	DWN	APVD
CE	00	-	-	SEE SHEET 1	-	-	-

QSFP	
PIN NO.	SIGNAL
1	GND
2	Tx2n
3	Tx2p
4	GND
5	Tx4n
6	Tx4p
7	GND
8	ModSeIL
9	ResetL
10	Vcc Rx
11	SCL
12	SDA
13	GND
14	Rx3p
15	Rx3n
16	GND
17	Rx1p
18	Rx1n
19	GND
20	GND
21	Rx2n
22	Rx2p
23	GND
24	Rx4n
25	Rx4p
26	GND
27	ModPrsL
28	InTL
29	Vcc Tx
30	Vcc1
31	LPMode
32	GND
33	Tx3p
34	Tx3n
35	GND
36	Tx1p
37	Tx1n
38	GND

OBSOLETE



BAR CODE

TE-AC02- = PREFIX (LAST SAFETY ID)  
 X-2123909-X = TE 171 PART NUMBER

SERIAL NUMBER BBBMMYYDDDDNNNNN  
 BB = BUILDING NUMBER  
 YY = MANUFACTURING LOCATION  
 DD = TWO DIGIT YEAR  
 DD = ORDINAL DATE  
 NNNN = FIVE DIGIT SERIAL NUMBER

COUNTRY OF ORIGIN  
 WHEN MANUFACTURED  
 OUTSIDE THE US LABEL  
 MUST READ "MADE IN XXXXX",  
 WHERE XXXXX REPRESENTS  
 THE COUNTRY OF MANUFACTURING.

TE LOGO & CUSTOMER PRINT REV

THE LABEL INFORMATION  
 LAST SAFETY IDENTIFICATION IS BASED ON THE PREFIX  
 AND IS THE ONLY MANUFACTURE VISIBLE ON  
 THE LABEL.

THIS DRAWING IS A CONTROLLED DOCUMENT.		DWN B. FAIR 13JUNE2013	TE Connectivity NAME 40GbE, QSFP+(10), PARALIGHT, AOCA
DIMENSIONS:		CHK B. BRIGGS 13JUNE2013	
mm	TOLERANCES UNLESS OTHERWISE SPECIFIED:	APVD D. BAECHTLE 13JUNE2013	PRODUCT SPEC
0 PLC	±	APPLICATION SPEC	SIZE CAGE CODE DRAWING NO
1 PLC	±	RESTRICTED TO	A100779C=2123909
2 PLC	±	Customer Drawing	SCALE 5:4 SHEET 2 OF 2 REV G1
3 PLC	±		
4 PLC	±		
ANGLES	±		
MATERIAL	FINISH		

## X-ON Electronics

Largest Supplier of Electrical and Electronic Components

*Click to view similar products for [Fiber Optic Cable Assemblies](#) category:*

*Click to view products by [TE Connectivity](#) manufacturer:*

Other Similar products are found below :

[7-21002-9](#) [760-1518](#) [FA04390-50-M-72-LC-N](#) [MLB 501 V RED](#) [MLB 501 V YELLOW](#) [8-21000-7](#) [8-21084-1](#) [FXE3-10BM15](#) [FXE3-10FM5](#) [FZB3-NM1](#) [1-3636-600-5208](#) [1-5018030-0](#) [ICD040GVP163D-07](#) [2901797](#) [1-6693182-0](#) [1754898-1](#) [F512D5-5F23Y](#) [F912B10-NM2](#) [FAP12WFDBDBDLCZ](#) [21055-6](#) [FXBSCSCE2LM002](#) [FXE3-10AM10](#) [FXE3-10AM20](#) [FXE3-10BM7](#) [FXE3-10FM15](#) [FXE3-10FM3](#) [FXE3-10FM4](#) [FXE3-10FM7](#) [FXE3-10GM3](#) [FZE10-10M6](#) [FZOPE10-10M5](#) [3000005](#) [3-21053-2](#) [MLB 200/1 V BLACK](#) [MLB 2001 V YELLOW](#) [MLB 501 V BLACK](#) [5492011-6](#) [106284-7000](#) [5492011-5](#) [5492011-8](#) [5492011-9](#) [CF-901201-007](#) [7-21000-4](#) [8-21007-5](#) [8-21084-0](#) [3-5106081-0](#) [106386-4447](#) [2-2064140-6](#) [F92ELLNSNSNM003](#) [2-2064140-3](#)