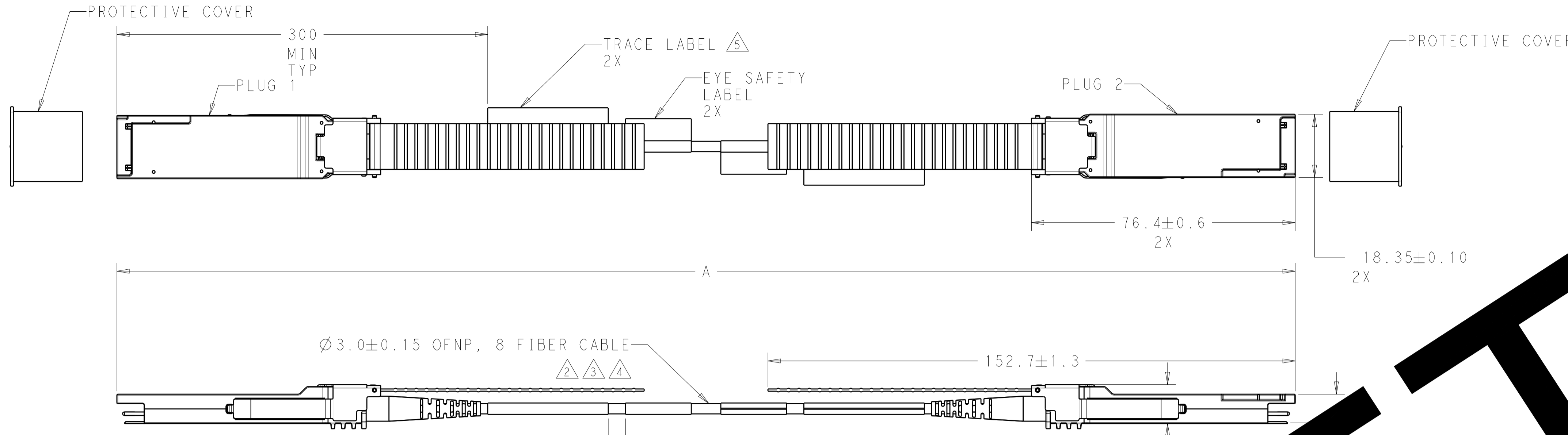
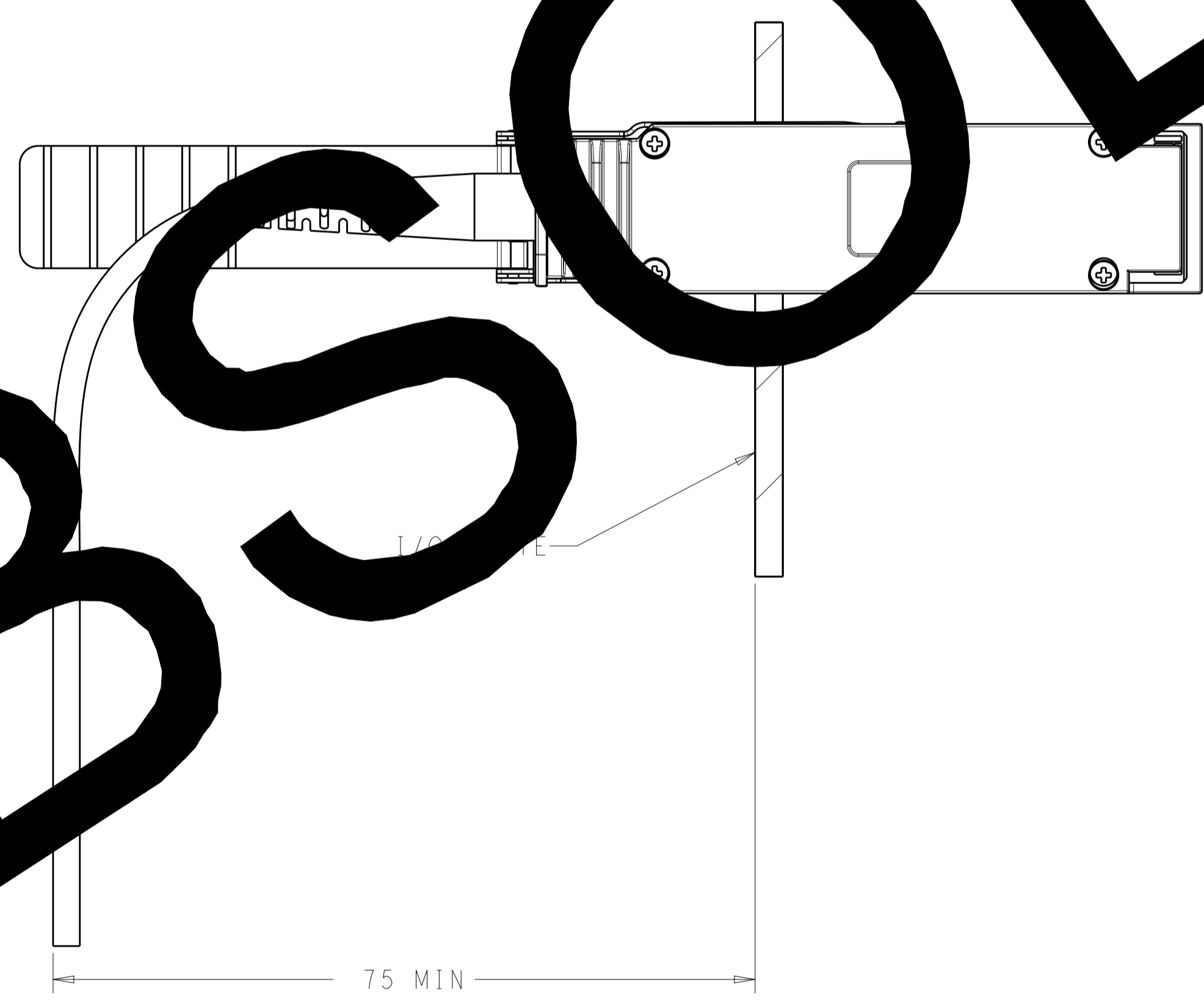
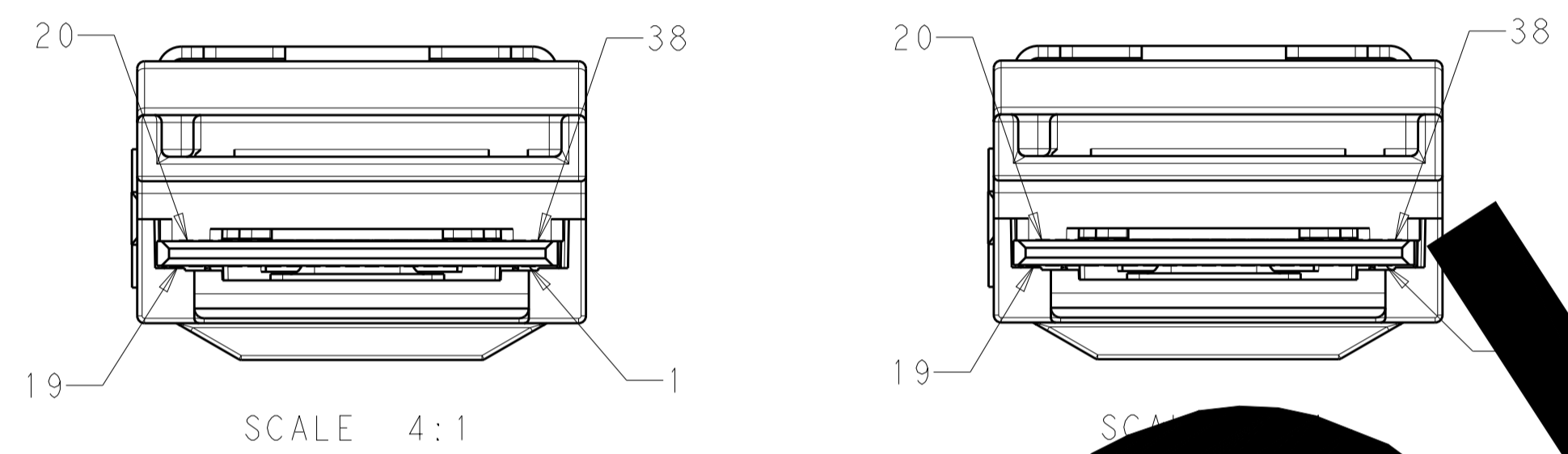
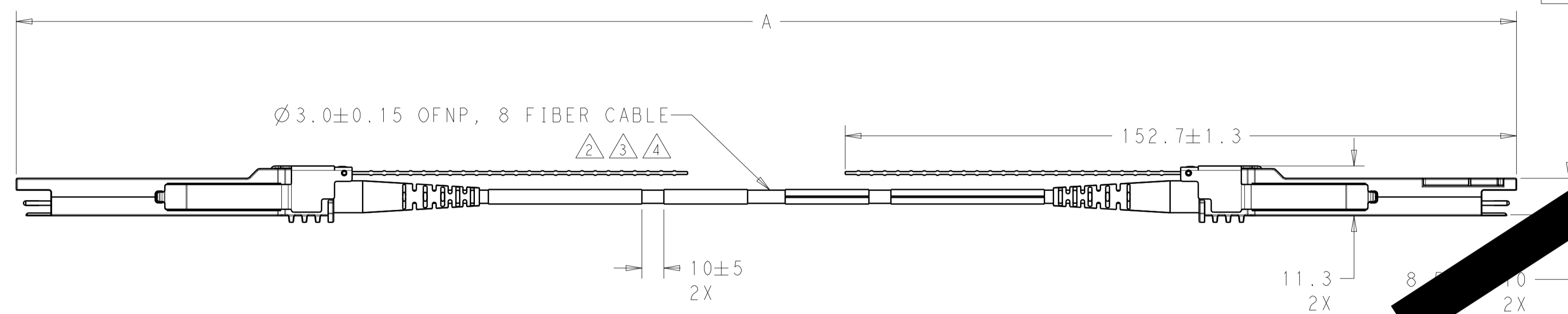


LOC	DIST	REVISIONS			
REV	DATE	BY	CHK	APPV	
G	05FEB2015	SW	RZ		
G1	08JUL2016	DEH	JC		



1. CONFORMS TO 8-1773461-8 PRODUCT PERFORMANCE REQUIREMENTS, VERIFIED IN ACCORDANCE WITH 501-122042.
- ⚠ CAUTION! CUTTING CABLE MAY RESULT IN HAZARDOUS RADIATION EXPOSURE.
- 3 CONFORMS TO GR-409-CORE INTERCONNECT CABLE REQUIREMENTS.
- 4 STANDARD OM2 CABLE TO BE USED FOR LENGTHS UP TO 30 METERS, OM3 CABLE FOR LENGTHS OVER 30 METERS.
- 5 STANDARD TRACE LABEL.
- 6 CHASSIS GROUND IS ISOLATED FROM SIGNAL GROUND (GND) IN THE CHASSIS AND CONNECTOR.
- ⚠ THESE CABLES ARE NOT CARRIED THROUGH TO THE OTHER END, SINCE EACH END OF THE CABLE IS POWERED SEPARATELY.
8. THE QSFP MODULES IMPLEMENT THE I²C INTERFACE DESCRIBED IN SFF-8636 REV 1.0.
9. EEPROM PROGRAM NUMBER 2123909.EEPROM_CD REV G. CONTAINS FIRMWARE REVISION 6.15.



OBSOLETE

21±0.21	2-2123909-4
19±0.19	2-2123909-3
18±0.18	2-2123909-2
17±0.17	2-2123909-1
16±0.16	2-2123909-0
14±0.15	1-2123909-9
13±0.15	1-2123909-8
12±0.15	1-2123909-7
11±0.15	1-2123909-6
9±0.15	1-2123909-5
8±0.15	1-2123909-4
7±0.15	1-2123909-3
1±0.15	1-2123909-2
100±0.15	1-2123909-1
50±0.50	1-2123909-0
40±0.40	2123909-9
30±0.30	2123909-8
25±0.25	2123909-7
20±0.20	2123909-6
15±0.15	2123909-5
10±0.15	2123909-4
5±0.15	2123909-3
3±0.15	2123909-2
2±0.15	2123909-1
⚠A/(m)	PART NUMBER

THIS DRAWING IS A CONTROLLED DOCUMENT.

OWN: B. FAIR 13JUNE2013
 CHK: B. BRIGGS 13JUNE2013
 APVD: D. BAECHTLE 13JUNE2013

STE TE Connectivity

NAME: 40GbE, QSFP+(10), PARALIGHT, AOCA
 PRODUCT SPEC: -
 APPLICATION SPEC: -

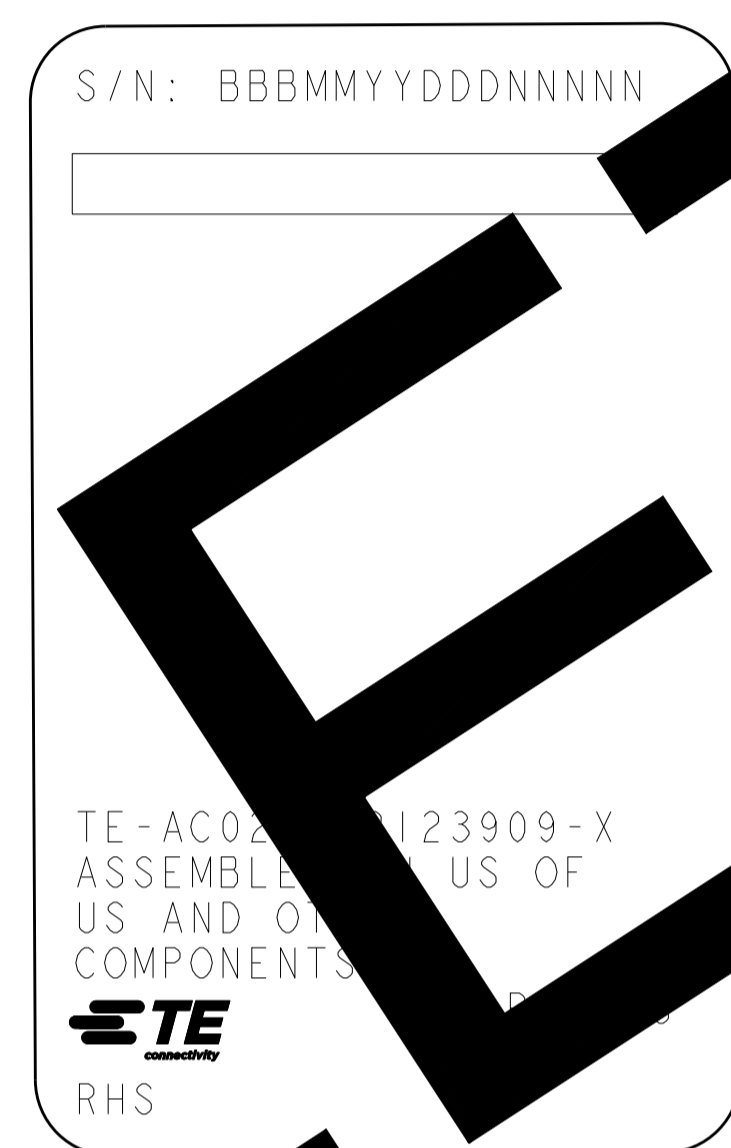
SIZE: A1 CAGE CODE: 100779 DRAWING NO: 2123909
 WEIGHT: -
 Customer Drawing

SCALE: 5:4 SHEET: 1 OF 2 REV: G1

LOC	DIST	REVISIONS			
P	LTN	DESCRIPTION	DATE	DWN	APVD
-	-	SEE SHEET 1	-	-	-

QSFP	
PIN NO.	SIGNAL
1	GND
2	Tx2n
3	Tx2p
4	GND
5	Tx4n
6	Tx4p
7	GND
8	ModSeIL
9	ResetL
10	Vcc Rx
11	SCL
12	SDA
13	GND
14	Rx3p
15	Rx3n
16	GND
17	Rx1p
18	Rx1n
19	GND
20	GND
21	Rx2n
22	Rx2p
23	GND
24	Rx4n
25	Rx4p
26	GND
27	ModPrsL
28	InTL
29	Vcc Tx
30	Vcc1
31	LPMode
32	GND
33	Tx3p
34	Tx3n
35	GND
36	Tx1p
37	Tx1n
38	GND

OBSOLETE



BAR CODE

TE-AC02- = PREFIX (LAST SAFETY ID)
 X-2123909-X = TE 171 PART NUMBER

SERIAL NUMBER BBBMMYYDDDDNNNNN
 BB = BUILDING NUMBER
 YY = MANUFACTURING LOCATION
 DD = TWO DIGIT YEAR
 MM = ORDINAL DATE
 NN = FIVE DIGIT SERIAL NUMBER

COUNTRY OF ORIGIN
 WHEN MANUFACTURED
 OUTSIDE THE US LABEL
 MUST READ "MADE IN XXXXX",
 WHERE XXXXX REPRESENTS
 THE COUNTRY OF MANUFACTURING.

TE LOGO & CUSTOMER PRINT REV

THE LABEL INFORMATION
 LAST SAFETY IDENTIFICATION IS BASED ON THE PREFIX
 AND IS THE ONLY MANUFACTURE VISIBLE ON
 THE LABEL.

THIS DRAWING IS A CONTROLLED DOCUMENT.		DWN B. FAIR 13JUNE2013	TE Connectivity NAME 40GbE, QSFP+(10), PARALIGHT, AOCA
DIMENSIONS:		CHK B. BRIGGS 13JUNE2013	
mm	TOLERANCES UNLESS OTHERWISE SPECIFIED:	APVD D. BAECHTLE 13JUNE2013	PRODUCT SPEC
 0 PLC ± 1 PLC ± 2 PLC ± 3 PLC ± 4 PLC ± ANGLES ± FINISH ±		APPLICATION SPEC	SIZE CAGE CODE DRAWING NO
MATERIAL		WEIGHT	A100779C=2123909
Customer Drawing		SCALE 5:4	SHEET 2 OF 2 REV G1

X-ON Electronics

Largest Supplier of Electrical and Electronic Components

Click to view similar products for [Fiber Optic Cable Assemblies](#) category:

Click to view products by [TE Connectivity](#) manufacturer:

Other Similar products are found below :

[7-21002-9](#) [760-1518](#) [FA04390-50-M-72-LC-N](#) [MLB 501 V RED](#) [MLB 501 V YELLOW](#) [8-21000-7](#) [8-21084-1](#) [FXE3-10BM15](#) [FXE3-10FM5](#) [FZB3-NM1](#) [1-3636-600-5208](#) [1-5018030-0](#) [ICD040GVP163D-07](#) [2901797](#) [1-6693182-0](#) [1754898-1](#) [F512D5-5F23Y](#) [F912B10-NM2](#) [FAP12WFDDBDLCZ](#) [21055-6](#) [FXBSCSCE2LM002](#) [FXE3-10AM10](#) [FXE3-10AM20](#) [FXE3-10BM7](#) [FXE3-10FM15](#) [FXE3-10FM3](#) [FXE3-10FM4](#) [FXE3-10FM7](#) [FXE3-10GM3](#) [FZE10-10M6](#) [FZOPE10-10M5](#) [3000005](#) [3-21053-2](#) [MLB 200/1 V BLACK](#) [MLB 2001 V YELLOW](#) [MLB 501 V BLACK](#) [5492011-6](#) [106284-7000](#) [5492011-5](#) [5492011-8](#) [5492011-9](#) [CF-901201-007](#) [7-21000-4](#) [8-21007-5](#) [8-21084-0](#) [3-5106081-0](#) [106386-4447](#) [2-2064140-6](#) [F92ELLNSNSNM003](#) [2-2064140-3](#)