

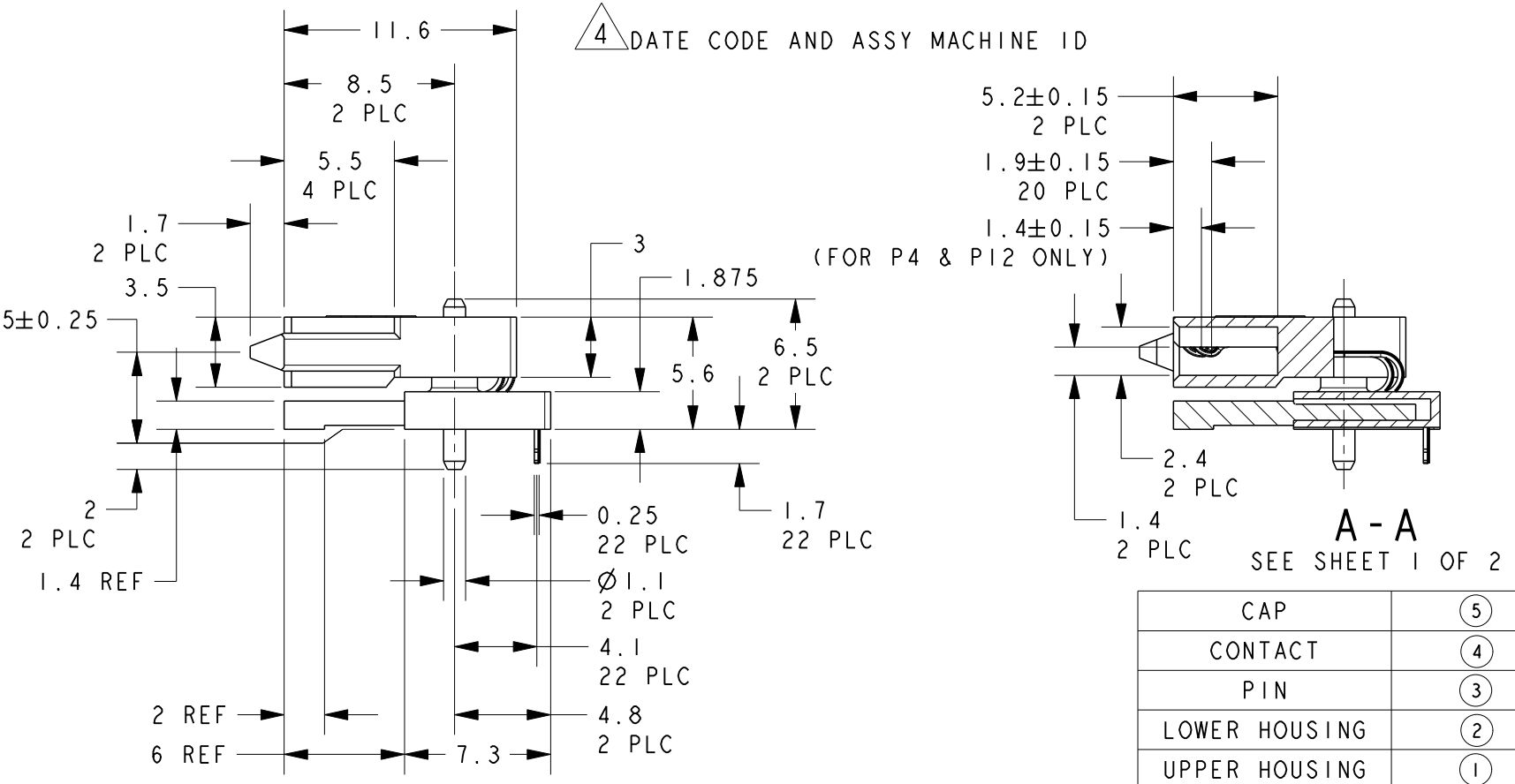
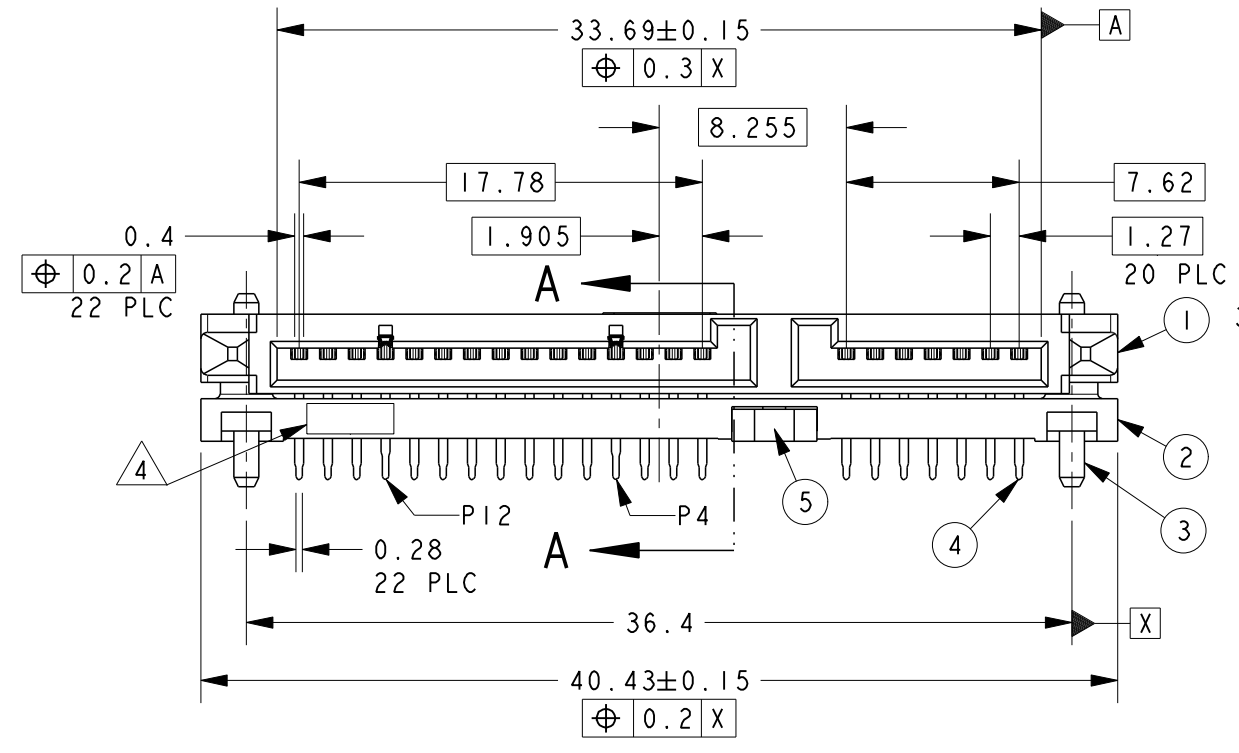
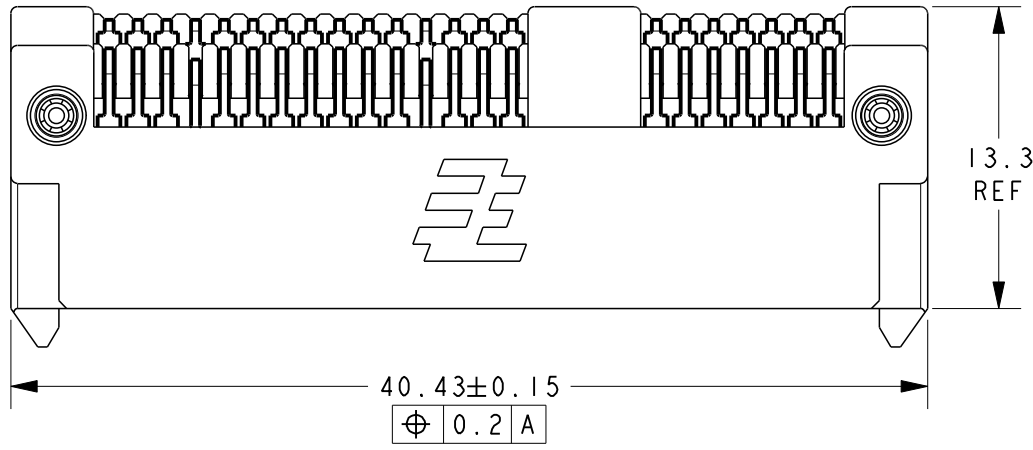
THIS DRAWING IS UNPUBLISHED. RELEASED FOR PUBLICATION .19

© COPYRIGHT 19 BY AMP INCORPORATED. ALL RIGHTS RESERVED.

LOC	DIST	REVISIONS					
		P	LTR	DESCRIPTION	DATE	DWN	APVD
DY	-		A	NPR ECR-10-014193	06JUL2010	JC	LSF

NOTES:

- 1 MATERIAL:
HOUSING: THERMOPLASTIC HIGH TEMP., UL94V-0, COLOR: BLACK
CONTACT: PHOSPHOR BRONZE
PIN: BRASS
CAP: THERMOPLASTIC HIGH TEMP., UL94V-0, COLOR: BLACK
EMBOSS TAPE: PS, COLOR: CLEAR
COVER TAPE: PET
- 2 FINISH:
CONTACT:
CONTACT AREA: 0.2µm Au PL.
1.27µm NICKEL UNDER PL. ALL OVER
SOLDERING AREA: 2-5µm MATTE TIN PL.
1.27µm NICKEL UNDER PL. ALL OVER
PIN: 2-5µm MATTE TIN PL. ALL OVER
1.27µm NICKEL UNDER PL. ALL OVER
- 3 PIN MUST BE SOLDERED WITH PCB
- 4 DATE CODE AND ASSY MACHINE ID



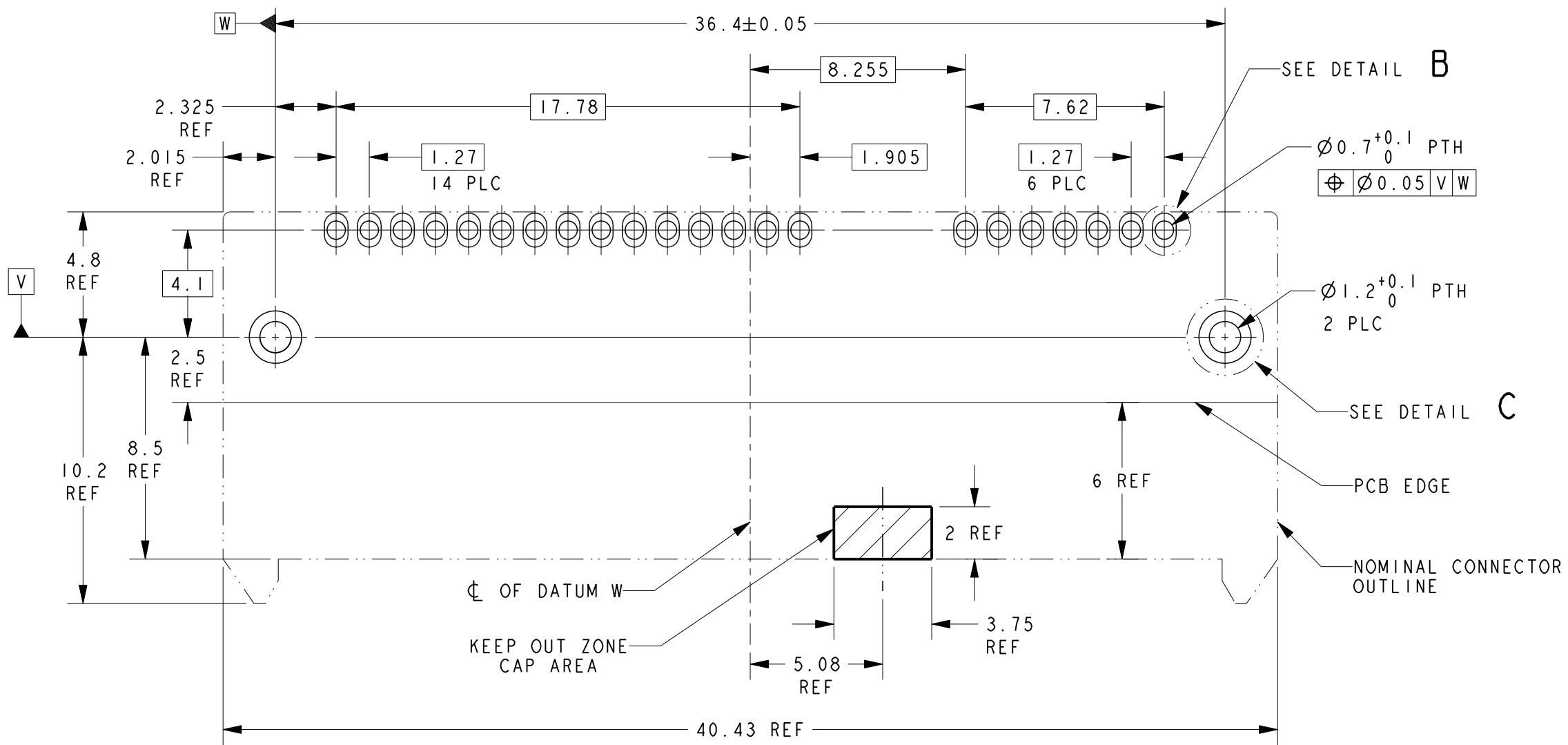
CAP	5
CONTACT	4
PIN	3
LOWER HOUSING	2
UPPER HOUSING	1
PART LIST	ITEM NO.

P/N: 1735849-1 AS SHOWN

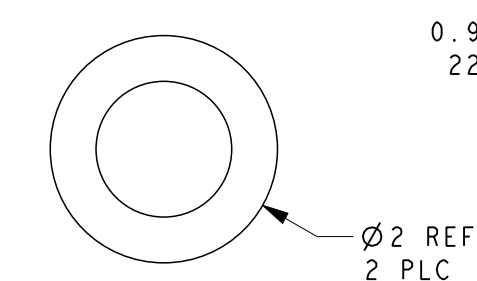
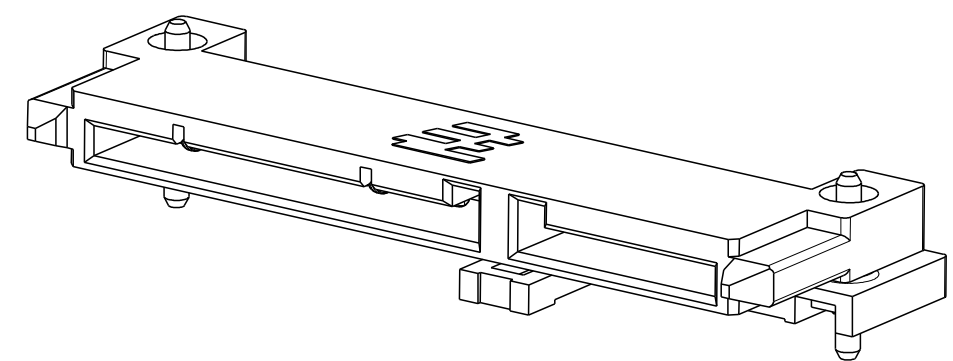
THIS DRAWING IS A CONTROLLED DOCUMENT FOR AMP INCORPORATED. IT IS SUBJECT TO CHANGE AND THE CONTROLLING ENGINEERING ORGANIZATION SHOULD BE CONTACTED FOR THE LATEST REVISION.		DWN JASON CHOW 09APR10	Tyco Electronics Corporation Singapore	
DIMENSIONS: mm		CHK AP TAY 09APR10	NAME REC ASSY A-FREE SATA H3.85	
TOLERANCES UNLESS OTHERWISE SPECIFIED: 0 PLC ±0.2 1 PLC ±0.2 2 PLC ±0.2 3 PLC ±0.2 4 PLC ±0.2 ANGLES ±3°		APVD SE LEONG 09APR10	DRAWING NO C-1735849	
MATERIAL 1		PRODUCT SPEC 108-78274	SIZE A3	CAGE CODE 00779
FINISH 2		APPLICATION SPEC -	WEIGHT x.XXg	SCALE 3:1
CUSTOMER DRAWING			SHEET 1	OF 3 REV A

THIS DRAWING IS UNPUBLISHED. RELEASED FOR PUBLICATION .19 .
 © COPYRIGHT 19 BY AMP INCORPORATED. ALL RIGHTS RESERVED.

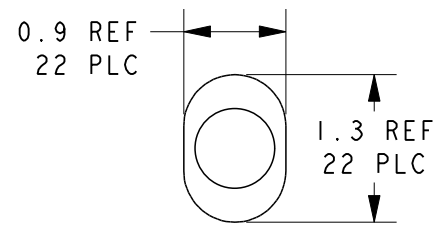
LOC	DIST	REVISIONS					
DY	-	P	LTR	DESCRIPTION	DATE	DWN	APVD
				SEE SHEET 1			



REFERENCE PCB LAYOUT
 REFERENCE PCB THICKNESS t=1.2
 SCALE 5:1



DETAIL C
 SCALE 15:1
 SEE SHEET 2 OF 2



DETAIL B
 SCALE 15:1
 SEE SHEET 2 OF 2

THIS DRAWING IS A CONTROLLED DOCUMENT FOR AMP INCORPORATED. IT IS SUBJECT TO CHANGE AND THE CONTROLLING ENGINEERING ORGANIZATION SHOULD BE CONTACTED FOR THE LATEST REVISION.		DWN	Tyco Electronics Corporation Singapore		
DIMENSIONS: mm		CHK	NAME REC ASSY A-FREE SATA H3.85		
TOLERANCES UNLESS OTHERWISE SPECIFIED: 0 PLC ±0.2 1 PLC ±0.2 2 PLC ±0.2 3 PLC ±0.2 4 PLC ±0.2 ANGLES ±3°		APVD	PRODUCT SPEC 108-78274		
MATERIAL		FINISH	APPLICATION SPEC	SIZE A3	CAGE CODE 00779
			WEIGHT x.XXg	DRAWING NO C-1735849	
CUSTOMER DRAWING			SCALE 3:1	SHEET 2 OF 3	REV A

4

3

2

1

THIS DRAWING IS UNPUBLISHED.

RELEASED FOR PUBLICATION

.19

© COPYRIGHT 19

BY AMP INCORPORATED. ALL RIGHTS RESERVED.

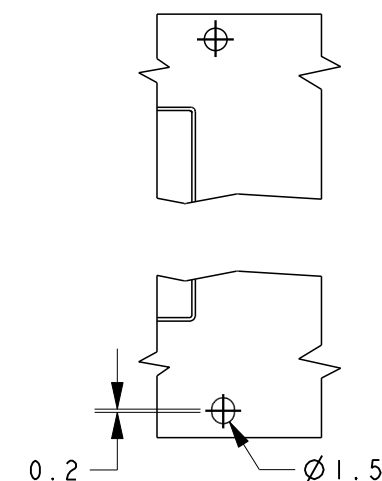
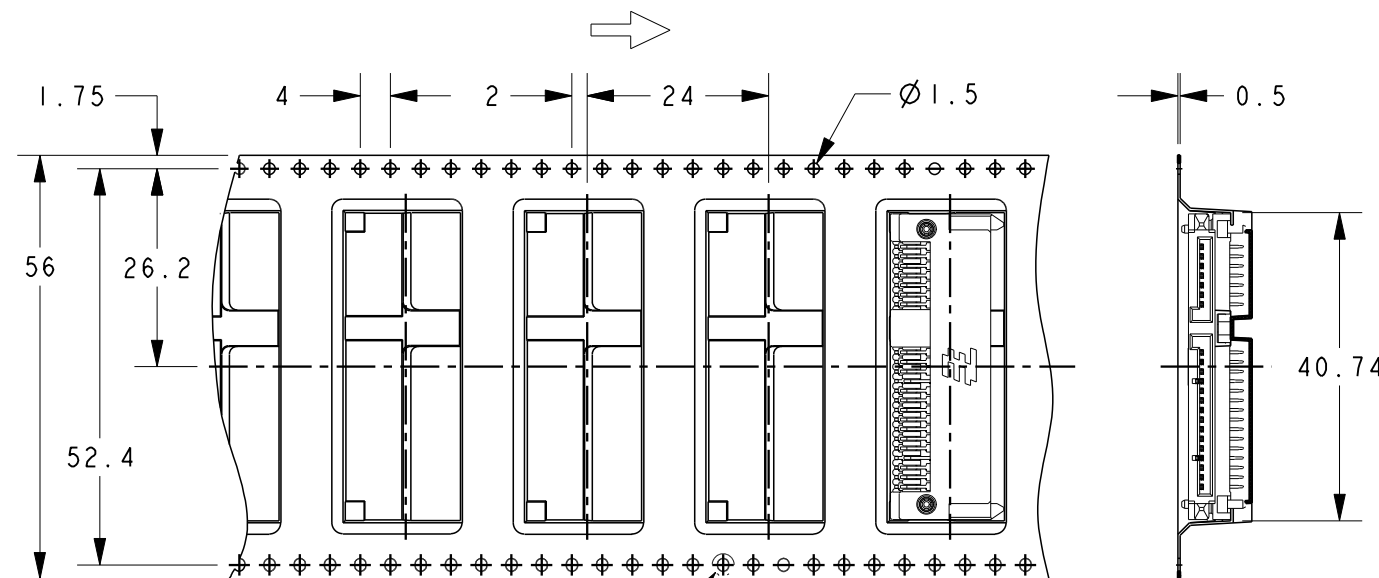
LOC
DY

DIST
-

REVISIONS

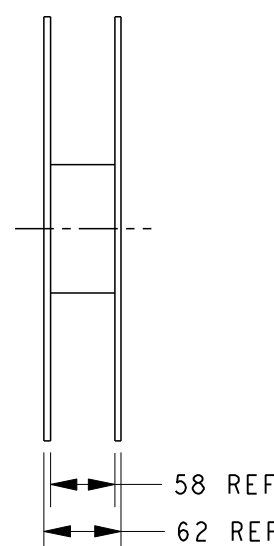
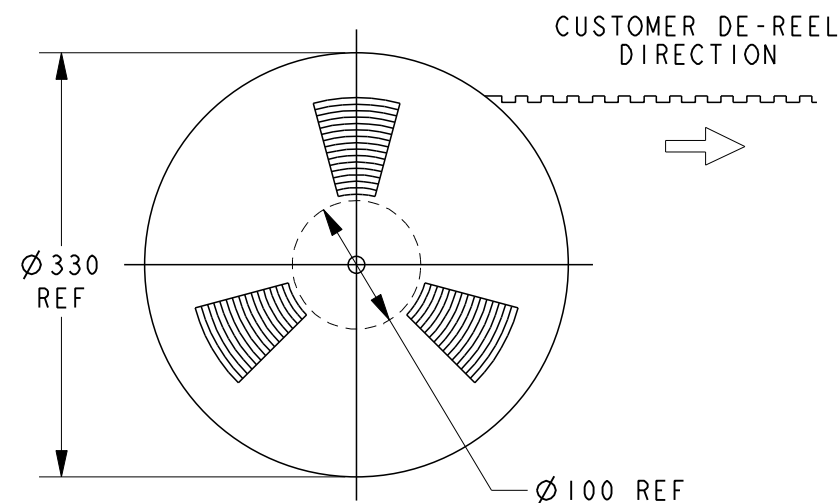
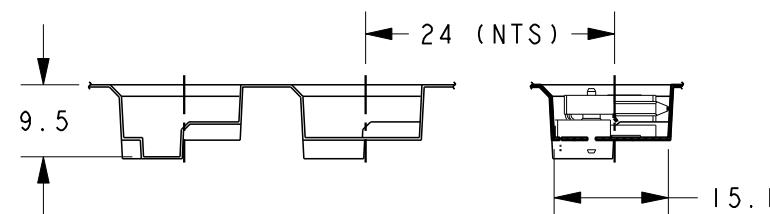
P	LTR	DESCRIPTION	DATE	DWN	APVD
		SEE SHEET 1			

CUSTOMER DE-REEL DIRECTION



DETAIL X
SCALE 5:1
SEE SHEET 3 OF 3

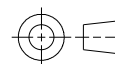
SEE DETAIL X



PEELING RESISTANCE: 0.2N~0.7N (20gf ~70gf)
 PEELING ANGLE: 165°~180°
 PEELING SPEED: 300mm/min
 QUANTITY PER REEL: 200 PIECES

THIS DRAWING IS A CONTROLLED DOCUMENT FOR AMP INCORPORATED.
 IT IS SUBJECT TO CHANGE AND THE CONTROLLING ENGINEERING
 ORGANIZATION SHOULD BE CONTACTED FOR THE LATEST REVISION.

DIMENSIONS:
mm



TOLERANCES UNLESS OTHERWISE SPECIFIED:

0 PLC ±0.2
 1 PLC ±0.2
 2 PLC ±0.2
 3 PLC ±0.2
 4 PLC ±0.2
 ANGLES ±3°

MATERIAL



DWN
CHK
APVD
PRODUCT SPEC
APPLICATION SPEC
WEIGHT
CUSTOMER DRAWING



Tyco Electronics Corporation
Singapore

NAME REC ASSY A-FREE SATA H3.85		
SIZE A3	CAGE CODE 00779	DRAWING NO C-1735849
SCALE 3:1	SHEET 3 OF 3	REV A

X-ON Electronics

Largest Supplier of Electrical and Electronic Components

Click to view similar products for [Headers & Wire Housings](#) category:

Click to view products by [TE Connectivity](#) manufacturer:

Other Similar products are found below :

[95000-104TRLF](#) [10135584-644402LF](#) [DF62W-EP2022PCA](#) [95000-106TRLF](#) [DF62W-2022SCA](#) [DF62W-EP2022PC](#) [2203348](#) [DF62W-2022SC](#) [1084018](#) [1029039](#) [1084017](#) [802-10-012-10-002000](#) [1112640](#) [1112639](#) [000-34000](#) [0009482033](#) [0009507031](#) [57102-S06-03LF](#) [57202-S52-04LF](#) [PCN6-15S-2.5E](#) [0039019024](#) [58102-G61-06LF](#) [582553-1](#) [0009485154](#) [0009508121](#) [0022285053](#) [0050291907](#) [018731A](#) [LY20-4P-DT1-P1E-BR](#) [02.125.8002.8](#) [60101931](#) [60598-1 \(Cut Strip\)](#) [M1625-3R/100](#) [61062-3](#) [61082-181009](#) [636-1427](#) [638009-1](#) [641938-9](#) [641991-4](#) [644168-1](#) [647662-1](#) [65039-019ELF](#) [65817-002LF](#) [65817-015LF](#) [65863-015LF](#) [66207-023LF](#) [67016-026LF](#) [67046-001LF](#) [67095-007LF](#) [67230-005LF](#)