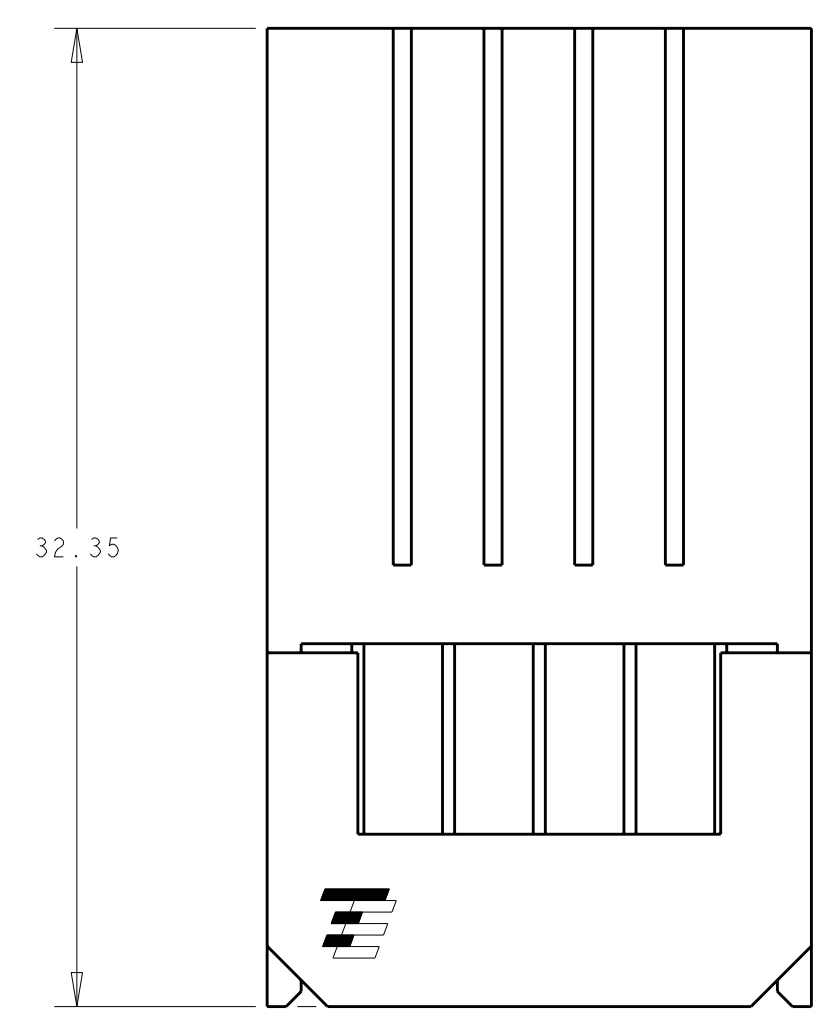
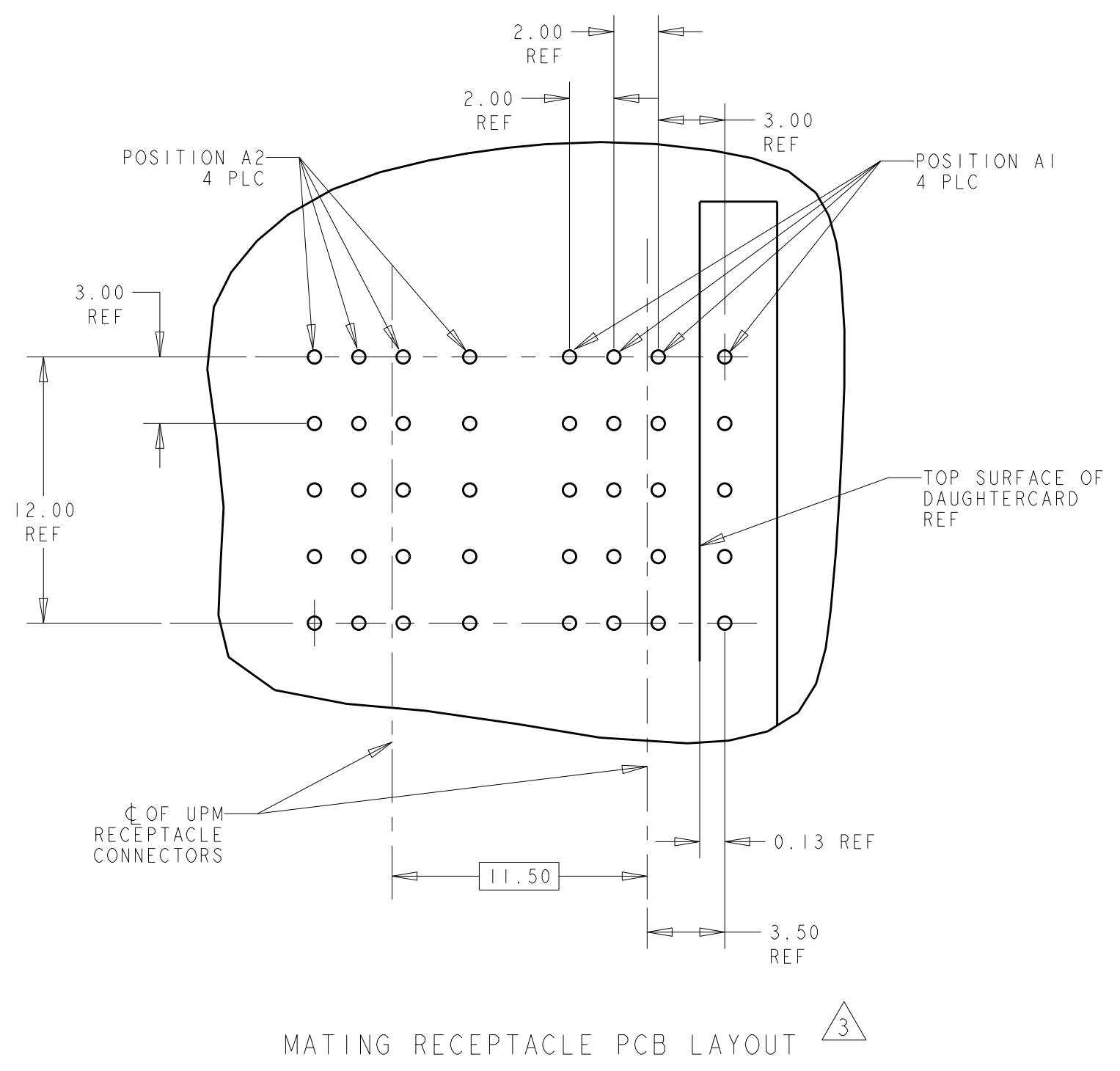
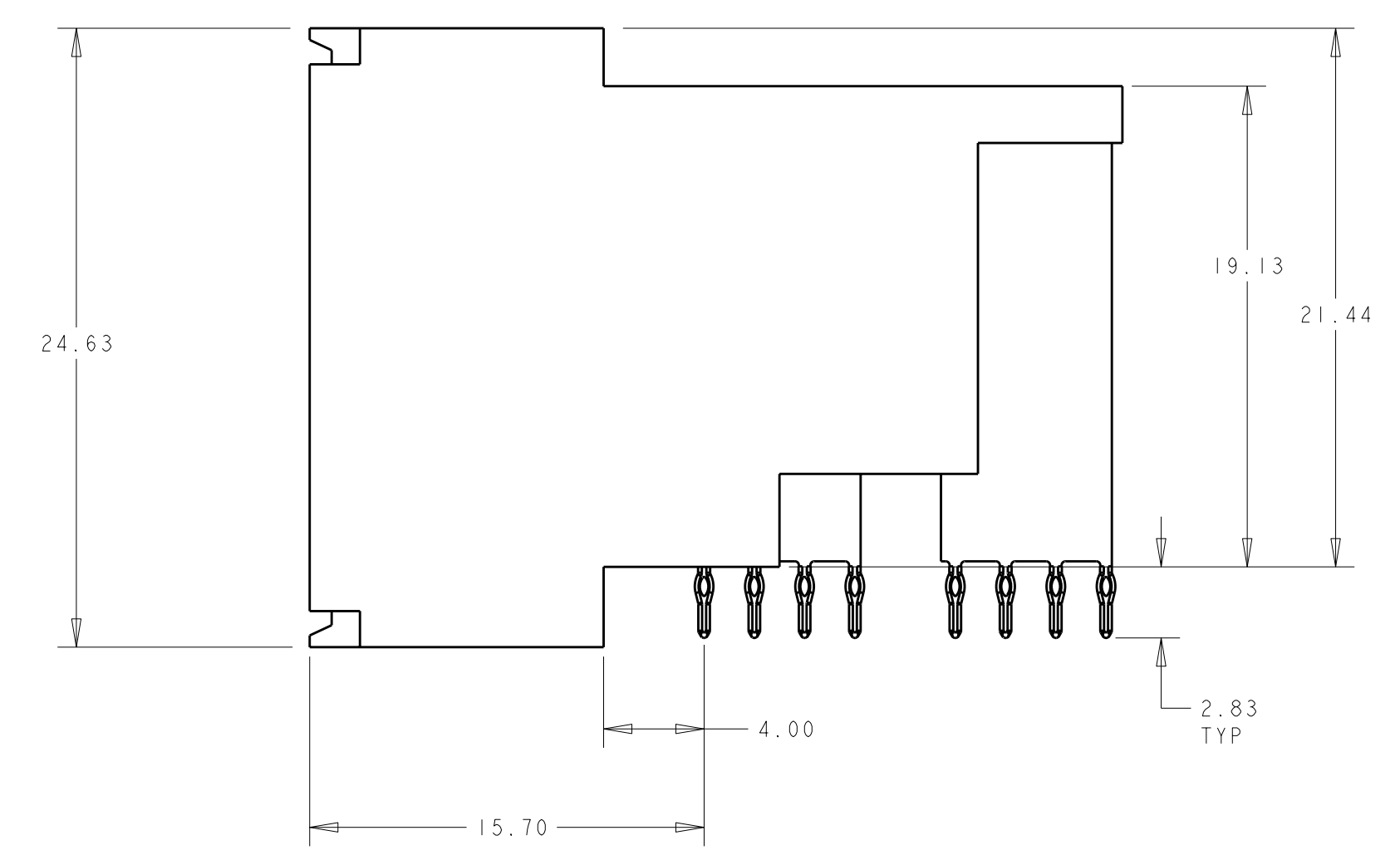
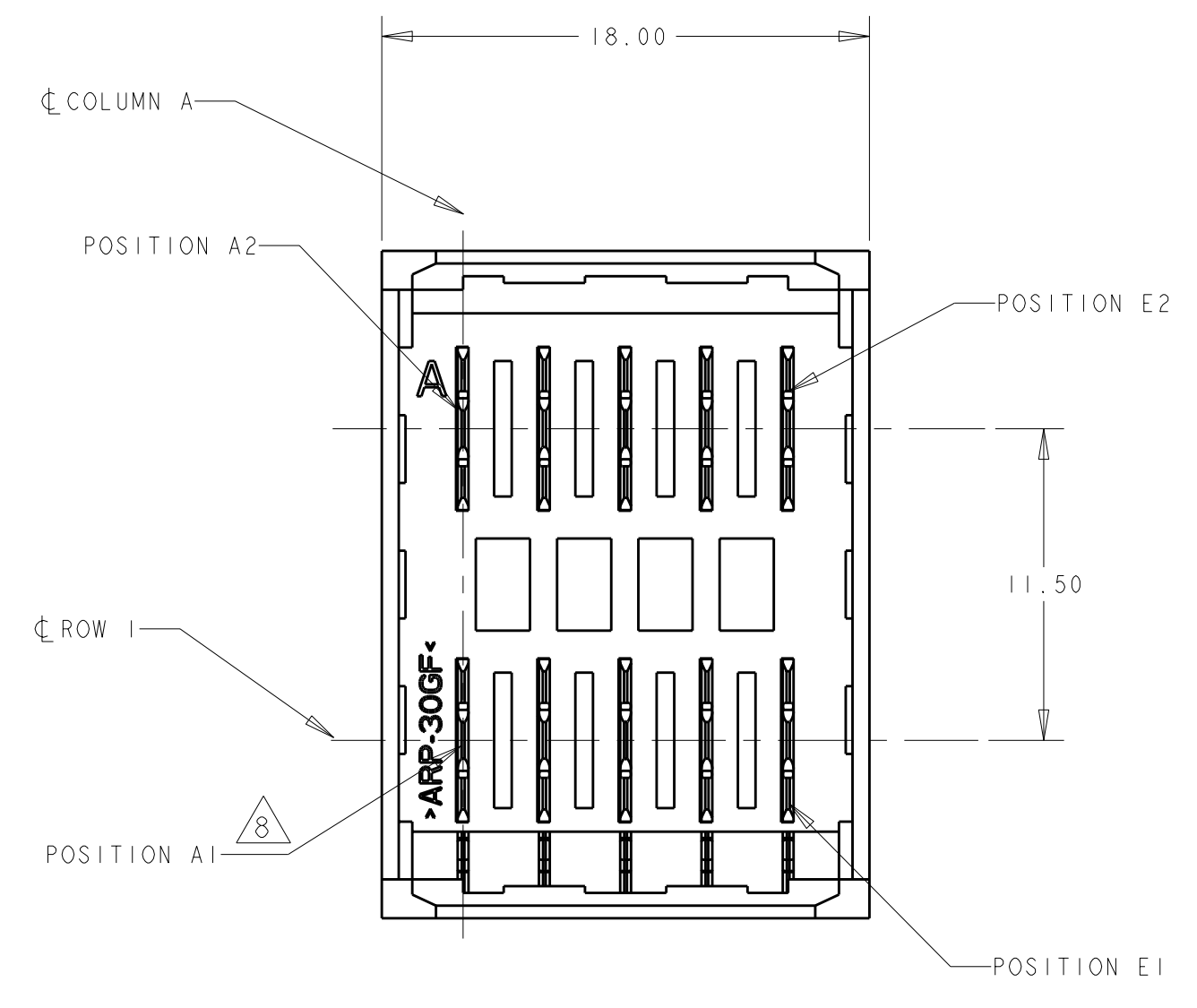
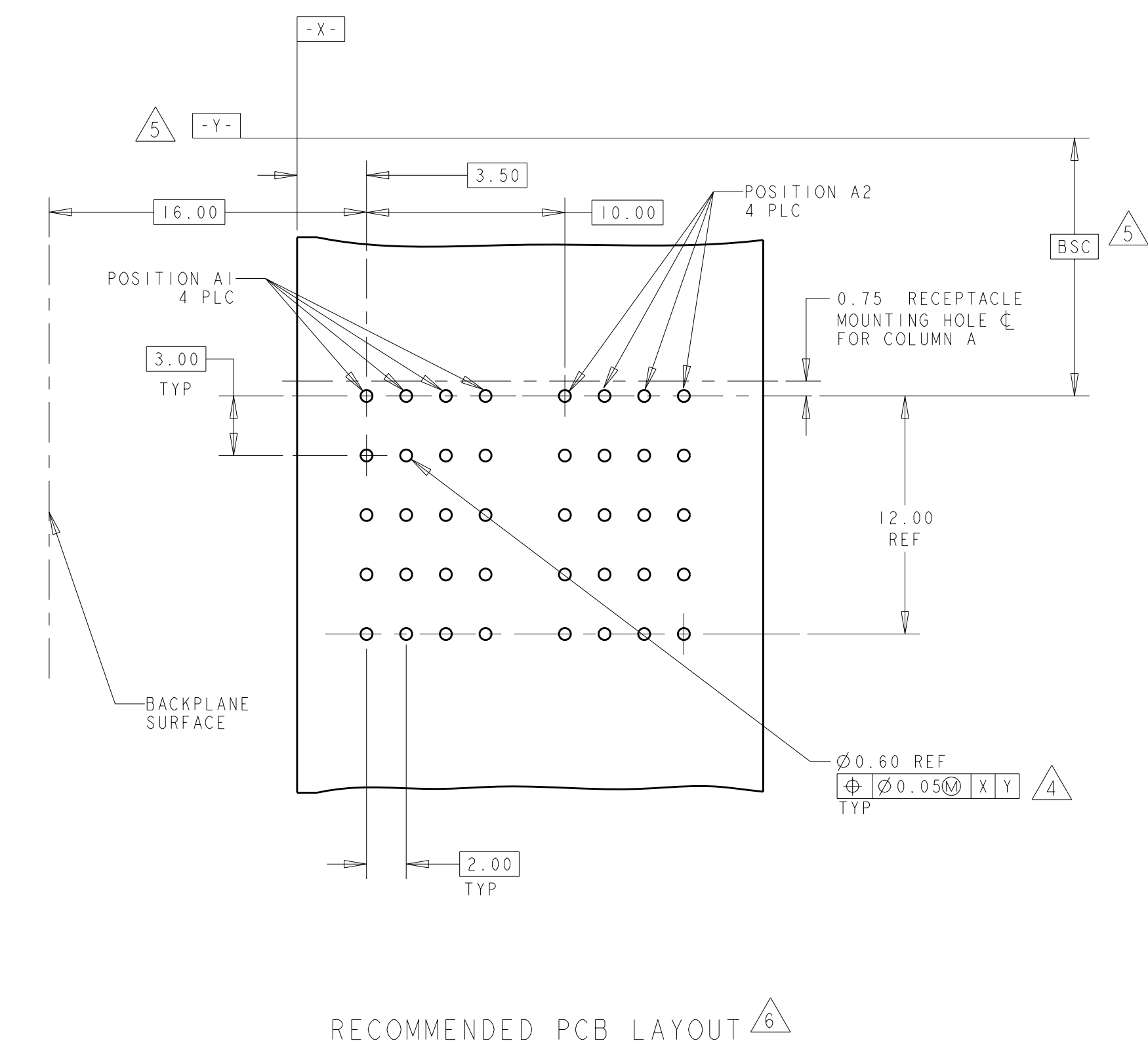
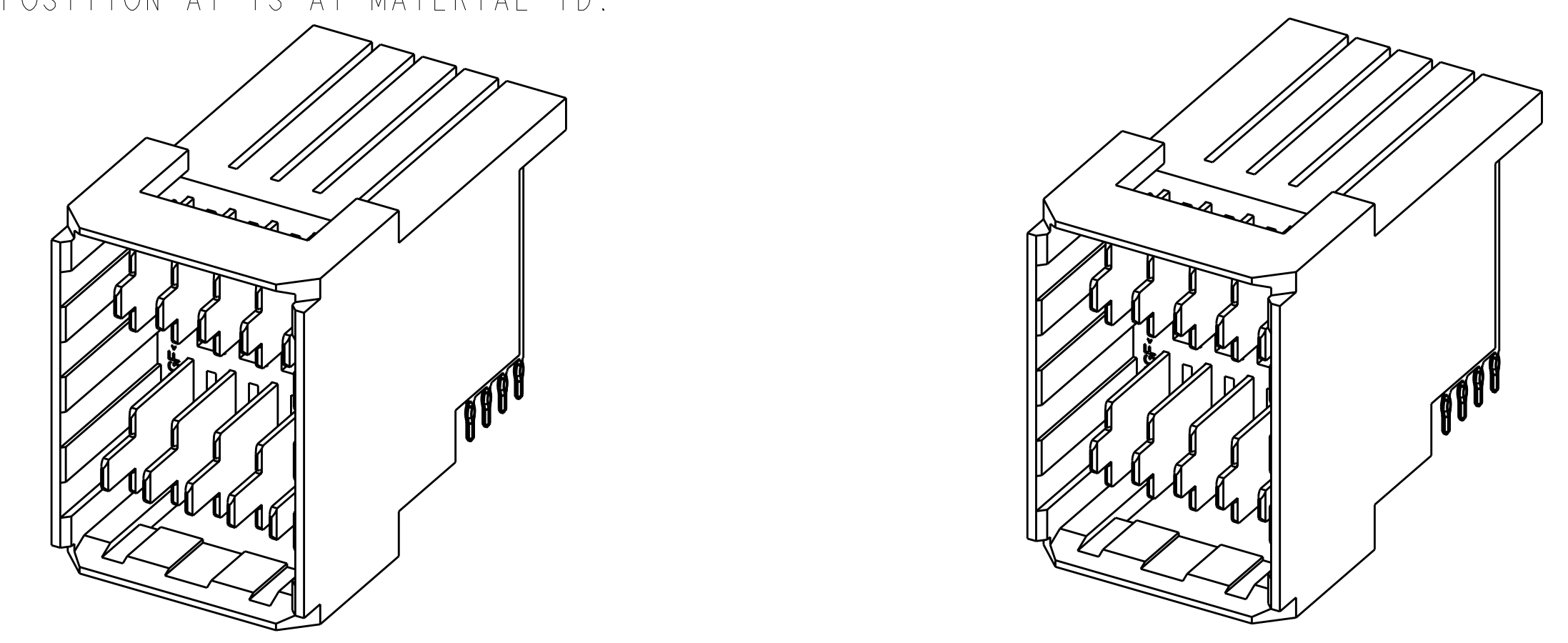


LOC	DIST	REVISIONS			
ES	00	REV	DATE	BY	APPD
		1	PROPOSAL DRAWING	23JUN2009	OL SY
		2	REVISED BASE NUMBER	03JULY2009	OL SY
		A	REV PER ECR-09-015886	15JULY2009	OL SY



- 1 MATERIAL: HOUSING: POLYESTER. COLOR: BLACK, UL 94 V-0
CONTACT: COPPER ALLOY.
- 2 FINISH: CONTACT MATING AREA: 0.00076 mm MIN GOLD PLATE OVER 0.00127 mm MIN NICKEL, OR 0.0005 mm MIN GOLD OVER 0.00064 mm PALLADIUM-NICKEL OVER 0.00127 mm MIN NICKEL.
COMPLIANT TAIL AREA: 0.0005 mm MIN MATTE TIN PLATE OVER 0.00127 mm NICKEL UNDERPLATE.
- 3 TAILS OF MATING UPM STYLE RECEPTACLE ARE OFFSET BY .75 mm FROM TAILS OF THIS CONNECTOR. SEE CUSTOMER DRAWING 120992 FOR RECEPTACLE EXAMPLE. SEE APPLICATION SPEC 114-1103 FOR MORE DETAILED DESCRIPTION OF THE TAIL OFFSETS.
- 4 PC BOARD HOLE SPECIFICATIONS:
DRILLED HOLE SIZE: 0.700±0.02 mm
FINISHED HOLE SIZE: 0.60±0.05 mm
PLATING THICKNESS:
0.025 - 0.050 mm COPPER
0.004 - 0.010 mm HASL TIN
0.0005 mm MIN IMMERSION TIN
0.0002 - 0.0005 mm OSP
0.0001mm MIN IMMERSION SILVER
0.0001-0.0005 mm IMMERSION GOLD OVER 0.004-0.005 mm NICKEL
- 5 DATUM AND BASIC DIMENSIONS ESTABLISHED BY CUSTOMER.
- 6 MINIMUM REQUIRED PC BOARD THICKNESS IS 1.44mm.
- 7 CONTACT AREA LUBRICATED WITH BELLCORE APPROVED LUBRICANT. TECHNICAL REFERENCE GR-1217-CORE, ISSUE 1 NOVEMBER 1995.
- 8 POSITION A1 IS AT MATERIAL ID.



A1, B1, C1, D1, E1	A2, B2, C2, D2, E2	1892713-2
-	ALL	1892713-1
LONG PIN LOCATION	SHORT PIN LOCATION	PART NO

DIMENSIONS: mm TOLERANCES UNLESS OTHERWISE SPECIFIED: 9 PLC ±.25 5 PLC ±.25 4 PLC ±.25 ANGLES ±1°		DWN ORANDO LI 23JUN2009 CHK SUNY ZHAO 23JUN2009 APVD STEVEN YAO 23JUN2009 PRODUCT SPEC 108-2289 APPLICATION SPEC WEIGHT CUSTOMER DRAWING	Tyco Electronics Shanghai, P.R.China. 200233 NAME ASSEMBLY, RIGHT ANGLE HEADER MINIPAK HDE 2X5 POSITION SIZE CAGE CODE DRAWING NO RESTRICTED TO A100779C=1892713 SCALE 5:1 SHEET 1 OF 1 REV A
--	--	--	--

X-ON Electronics

Largest Supplier of Electrical and Electronic Components

Click to view similar products for [Heavy Duty Power Connectors](#) category:

Click to view products by [TE Connectivity](#) manufacturer:

Other Similar products are found below :

[1424439](#) [1424438](#) [09330062652](#) [2-8675P1](#) [605601-1](#) [6340G1](#) [6341G1](#) [6360G1](#) [6373G1](#) [6374g2](#) [6396G1](#) [647757-1](#) [66394-4](#) [6643411-1](#)
[6646058-2](#) [6646137-1](#) [6646138-1](#) [6646348-1](#) [6646479-1](#) [6646608-1](#) [6646786-1](#) [6646940-1](#) [6651091-1](#) [6651525-1](#) [6651529-1](#) [6651778-1](#)
[6651788-1](#) [696465-1](#) [696475-1](#) [73000005059](#) [73000005349](#) [73000005642](#) [73080255059](#) [73080965046](#) [765-15-0080A](#) [765-16-0080B](#)
[789.700-44](#) [789.700-54](#) [80-1010](#) [80-9](#) [827381-1](#) [829992-1](#) [902-77-02113](#) [PL00U-301-10D10](#) [PM103MOOLOO](#) [PM16S1620S32-50](#)
[PM212MOOLOO](#) [PM309FOOLOO](#) [PM324FOOLCH](#) [PMHPAF11S03](#)