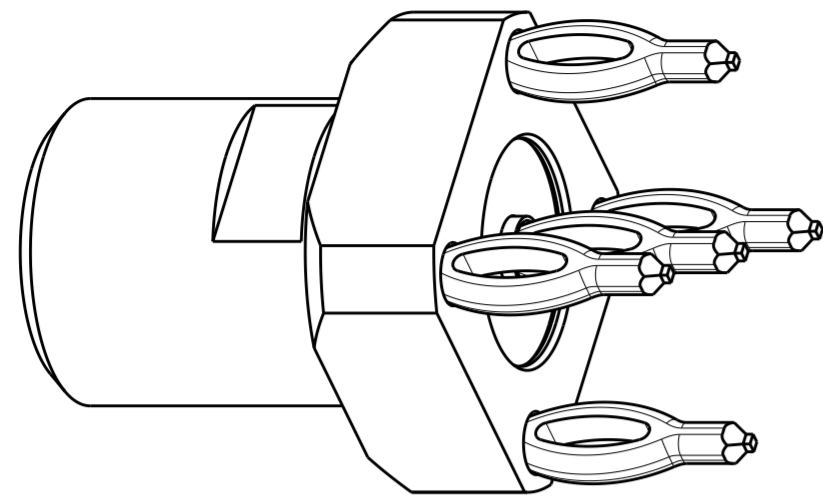
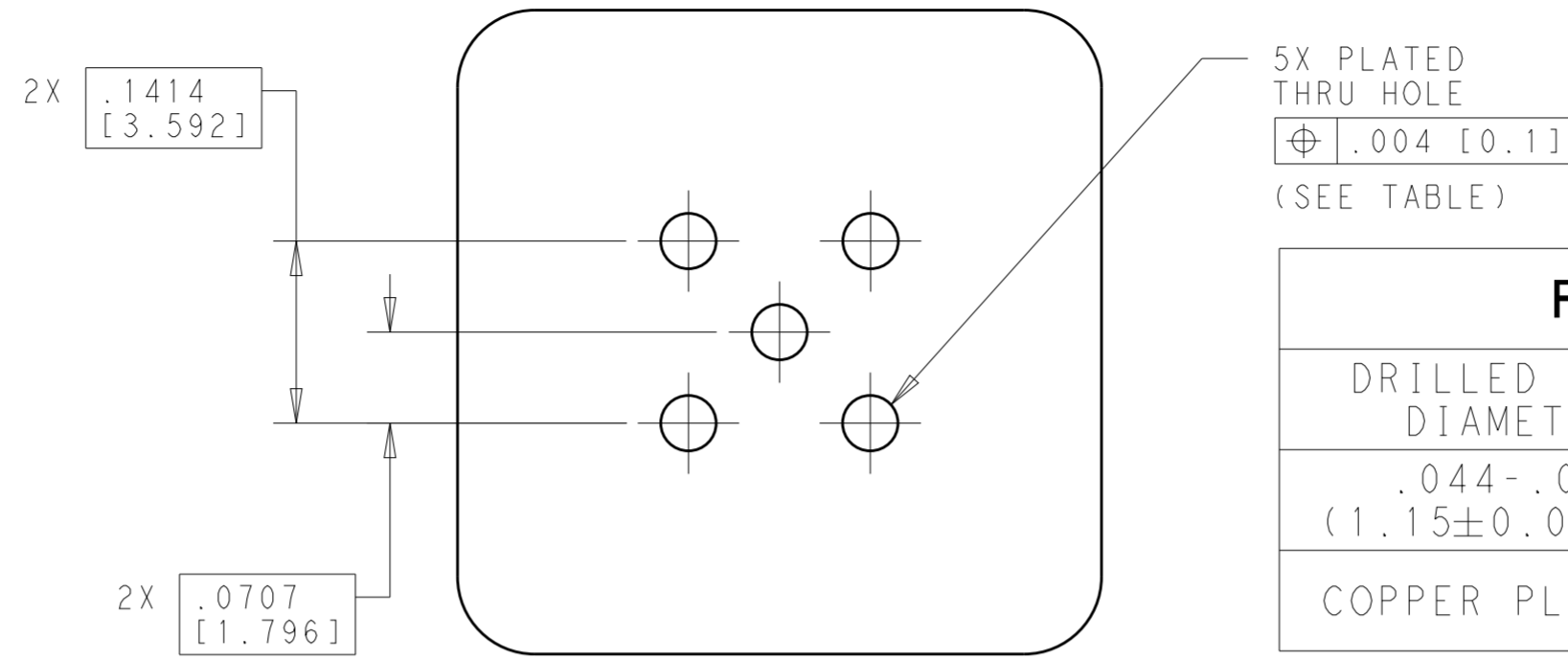


THIS DRAWING IS UNPUBLISHED. RELEASED FOR PUBLICATION 20  
 © COPYRIGHT 20 BY - ALL RIGHTS RESERVED.

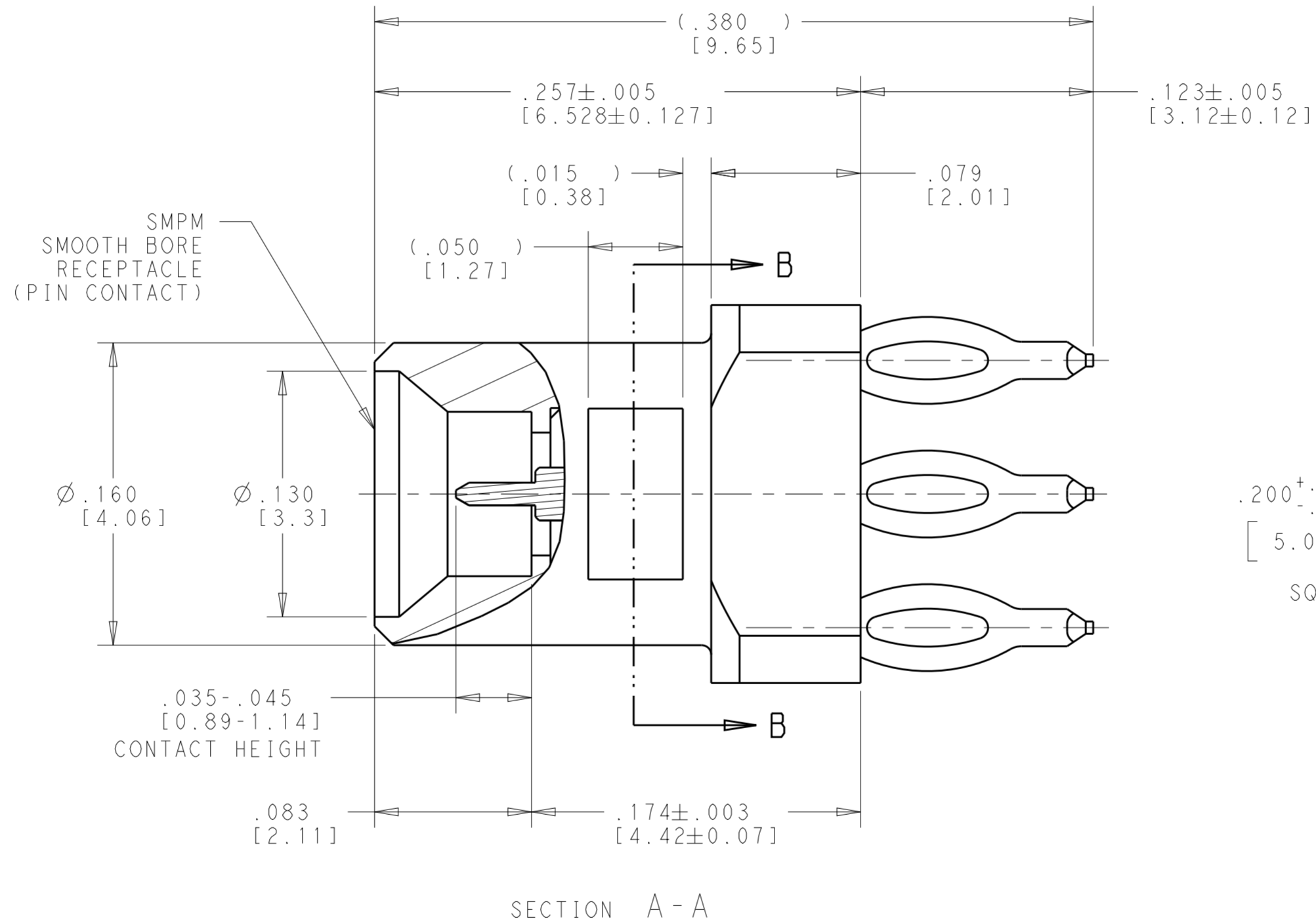
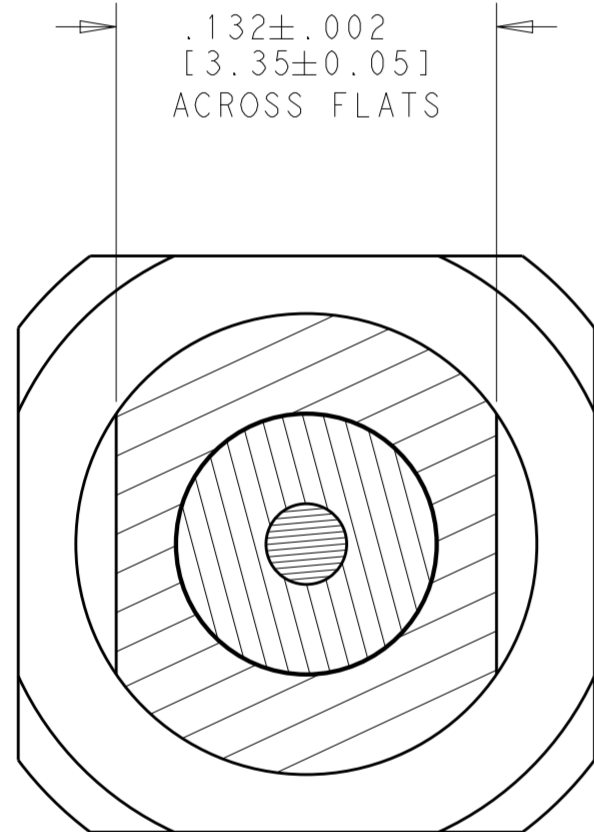
REVISIONS				
P	LTR	DESCRIPTION	DATE	APVD
G		RELEASED PER ECO 16-013320	9-27-16	CT DW



SCALE 10:1



PLATED THROUGH HOLE TABLE		
DRILLED HOLE DIAMETER	FINISHED HOLE DIAMETER	DIAMETER AFTER REFLOW
.044-.046 (1.15±0.025mm)	.037-.043 (0.94-1.09mm)	.036-.043 (0.91-1.09mm)
COPPER PLATING	.001-.003 (25-75um)	



COMPONENT	MATERIAL	FINISH
SMPM BODY & CENTER CONTACT	BERYLLIUM COPPER ALLOY UNS C17300 PER ASTM B196, CONDITION TD04	GOLD PLATE PER ASTM B488 OVER NICKEL PLATE, PER SAE-AMS-QQ-N-290
COMPLIANT PINS	PHOSPHOR BRONZE, PER ASTM B103 CONDITION H06	TIN LEAD PLATE, PER ASTM B571, OVER NICKEL PLATE PER SAE-AMS-QQ-N-290
INSULATOR	PTFE FLUOROCARBON PER ASTM D 1710	-----

1996318-1  
 PART NUMBER

THIS DRAWING IS A CONTROLLED DOCUMENT.

DWN: S.T. Morley 26SEP2007  
 CHK: S.T. Morley 31AUG2010  
 APVD: S.T. Morley 27SEPT2011

**STE** TE Connectivity

NAME: SMPM STRAIGHT PLUG RECEPTACLE (M) P.C.B. MOUNT, EON TERMINATION SMOOTH BORE

SIZE: A200779 CAGE CODE: C-1996318 DRAWING NO: 1996318-1

WEIGHT: 0.688 g

CUSTOMER DRAWING SCALE: 15:1 SHEET: 1 OF 1 REV: G

## X-ON Electronics

Largest Supplier of Electrical and Electronic Components

*Click to view similar products for [RF Connectors / Coaxial Connectors](#) category:*

*Click to view products by [TE Connectivity](#) manufacturer:*

Other Similar products are found below :

[R125315120](#) [8915-1511-000](#) [89674-0827](#) [5916-1103-603](#) [0106-001-000](#) [6-0001-3](#) [6001-7071-019](#) [6002-7051-003](#) [6002-7551-202](#) [6059674-1](#) [619550-1](#) [630059-000](#) [M39012/25-0021](#) [M39012/79-3008](#) [M39030/3-01N](#) [M39030/3-03N](#) [M3933/25-36N](#) [6500-7071-046](#) [6501-1071-002](#) [M83723/72W2457N](#) [6769](#) [CX050L2AQ](#) [7002-1541-010](#) [7002-1572-002](#) [7003-1572-002](#) [7004-1512-000](#) [7009-1511-004](#) [7010-1511-000](#) [7029-1511-060](#) [7101-1541-010](#) [7101-1571-002](#) [7105-1521-002](#) [7145-1521-002](#) [7209-1511-011](#) [7210-1511-012](#) [7210-1511-015](#) [7210-1511-019](#) [7210-1511-040](#) [7225-1512-050](#) [7242-1511-000](#) [73137-5015](#) [73251-0111](#) [73251-0672](#) [73276-1501](#) [73366-0013](#) [73404-2300](#) [73413-6080](#) [73415-5721](#) [7405-1521-005](#) [7405-1521-802](#)