

THIS DRAWING IS UNPUBLISHED.

RELEASED FOR PUBLICATION

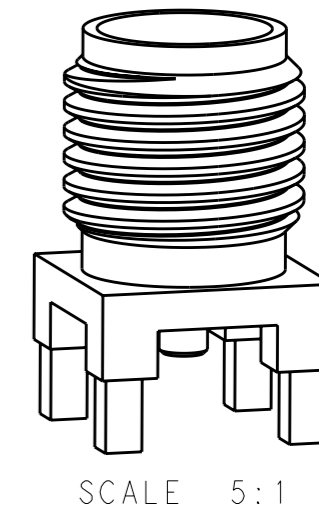
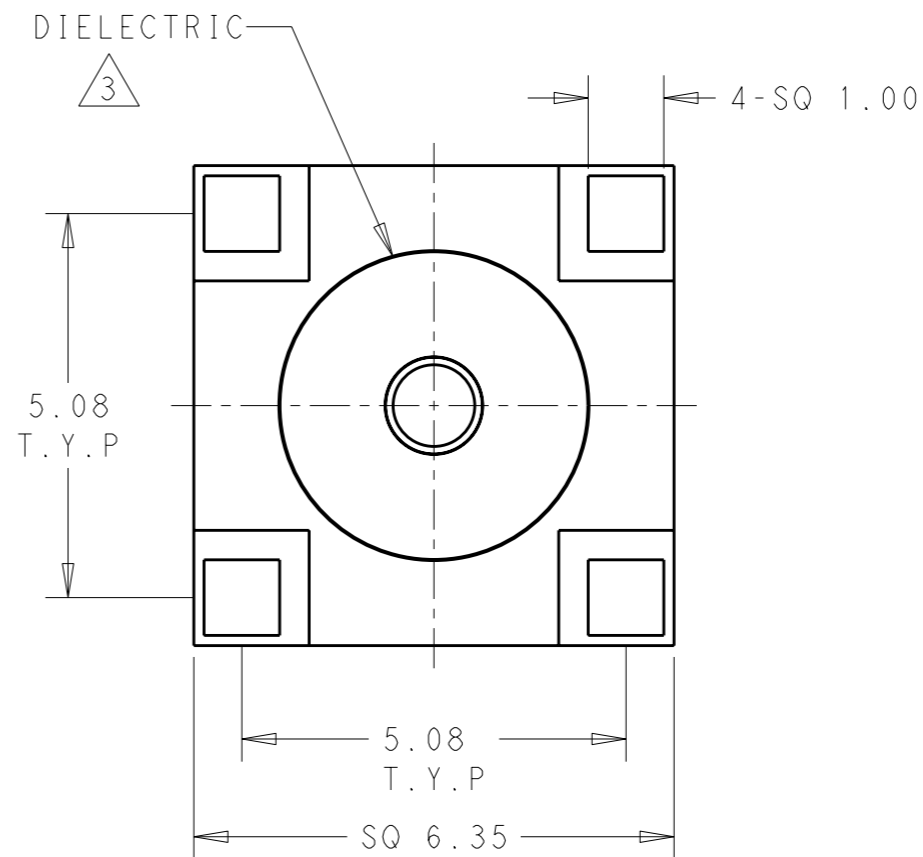
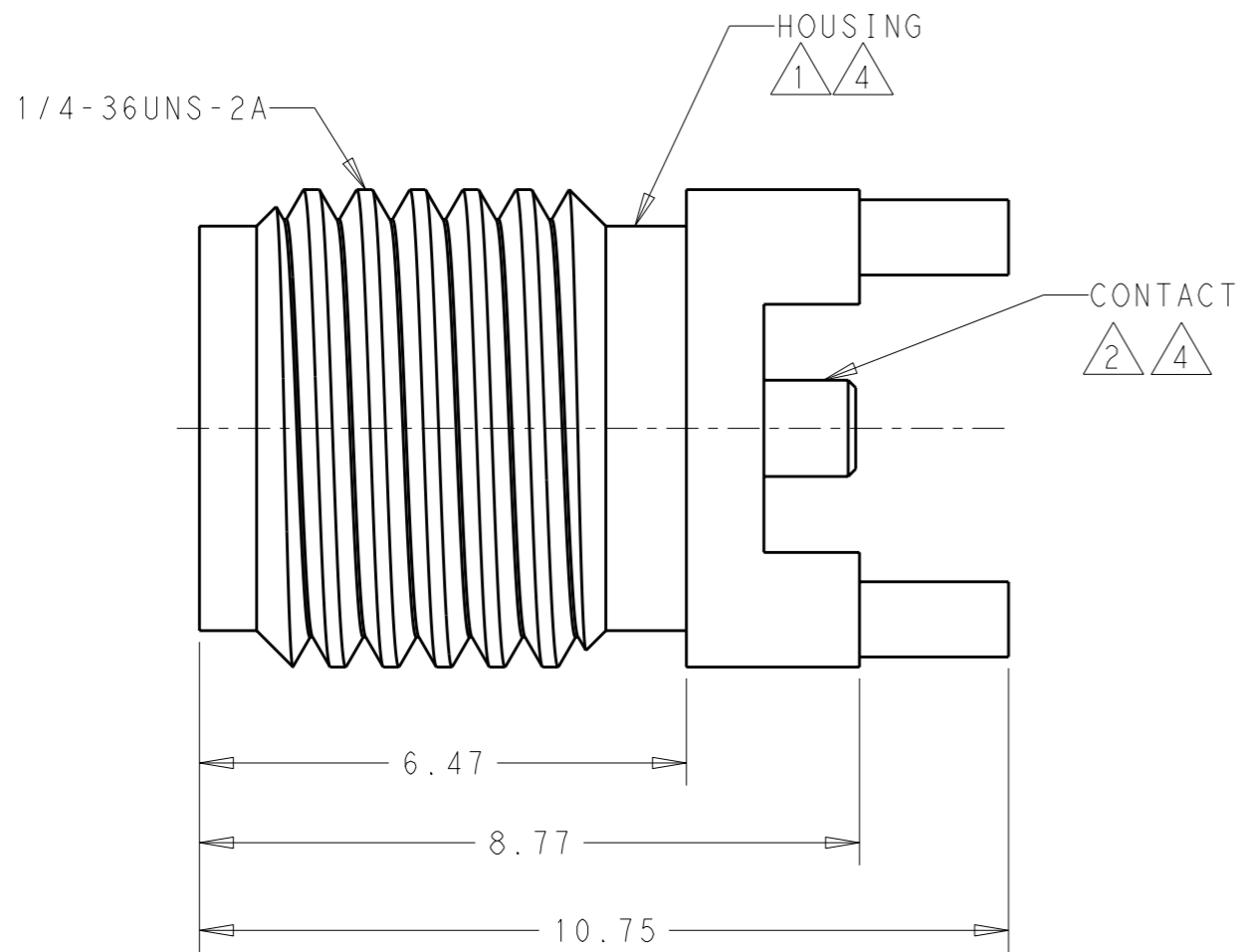
20

© COPYRIGHT 20

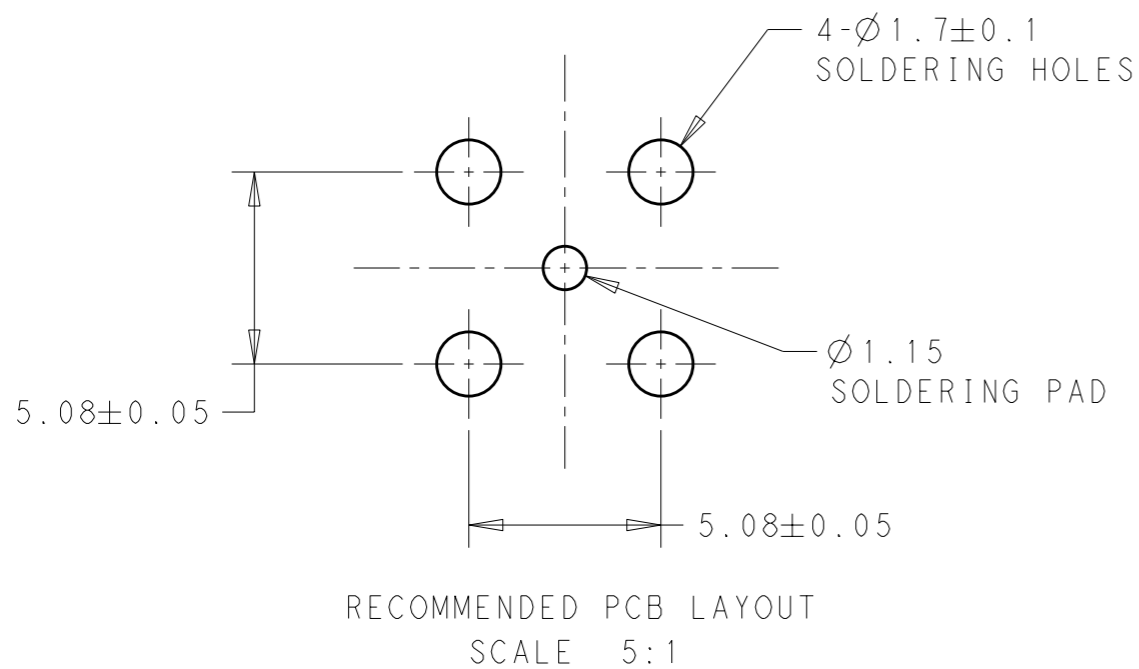
BY -

ALL RIGHTS RESERVED.

| LOC | DIST | REVISIONS | | | |
|-----|------|-------------|-------------|---------|-------|
| P | LTR | DESCRIPTION | DATE | DWN | APVD |
| - | - | A | FIRST ISSUE | 29AUG11 | AM MY |



- 1 BRASS
- 2 BERYLLIUM COPPER
- 3 PTFE
- 4 GOLD PLATED



2081156-1
PART NO.

| | | | | |
|--|--|--------------------------|--|----------------------|
| THIS DRAWING IS A CONTROLLED DOCUMENT. | | DWN ANSON MA 29-AUG-11 | TE Connectivity | |
| DIMENSIONS: mm | | CHK - | | |
| TOLERANCES UNLESS OTHERWISE SPECIFIED: | | APVD MARTIN YF 29-AUG-11 | NAME SMA JACK STRAIGHT RF CONNECTOR FOR TEST | |
| 0 PLC ±- | | PRODUCT SPEC - | SIZE A3 | |
| 1 PLC ±0.2 | | APPLICATION SPEC - | CAGE CODE 00779 | DRAWING NO C-2081156 |
| 2 PLC ±0.1 | | WEIGHT - | RESTRICTED TO - | |
| 3 PLC ±0 | | CUSTOMER DRAWING | SCALE 10:1 | SHEET 1 OF 1 |
| 4 PLC ±0 | | | | REV A |
| ANGLES ±2° | | | | |
| MATERIAL - | | | | |
| FINISH - | | | | |

X-ON Electronics

Largest Supplier of Electrical and Electronic Components

Click to view similar products for [RF Connectors](#) / [Coaxial Connectors](#) category:

Click to view products by [TE Connectivity](#) manufacturer:

Other Similar products are found below :

[R125315120](#) [8915-1511-000](#) [89674-0827](#) [5916-1103-603](#) [0106-001-000](#) [6-0001-3](#) [6001-7071-019](#) [6002-7051-003](#) [6002-7551-202](#) [6059674-1](#) [619550-1](#) [630059-000](#) [M39012/25-0021](#) [M39012/79-3008](#) [M39030/3-01N](#) [M39030/3-03N](#) [M3933/25-36N](#) [6500-7071-046](#) [6501-1071-002](#) [M83723/72W2457N](#) [6769](#) [CX050L2AQ](#) [7002-1541-010](#) [7002-1572-002](#) [7003-1572-002](#) [7004-1512-000](#) [7009-1511-004](#) [7010-1511-000](#) [7029-1511-060](#) [7101-1541-010](#) [7101-1571-002](#) [7105-1521-002](#) [7145-1521-002](#) [7209-1511-011](#) [7210-1511-012](#) [7210-1511-015](#) [7210-1511-019](#) [7210-1511-040](#) [7225-1512-050](#) [7242-1511-000](#) [73137-5015](#) [73251-0111](#) [73251-0672](#) [73276-1501](#) [73366-0013](#) [73404-2300](#) [73413-6080](#) [73415-5721](#) [7405-1521-005](#) [7405-1521-802](#)