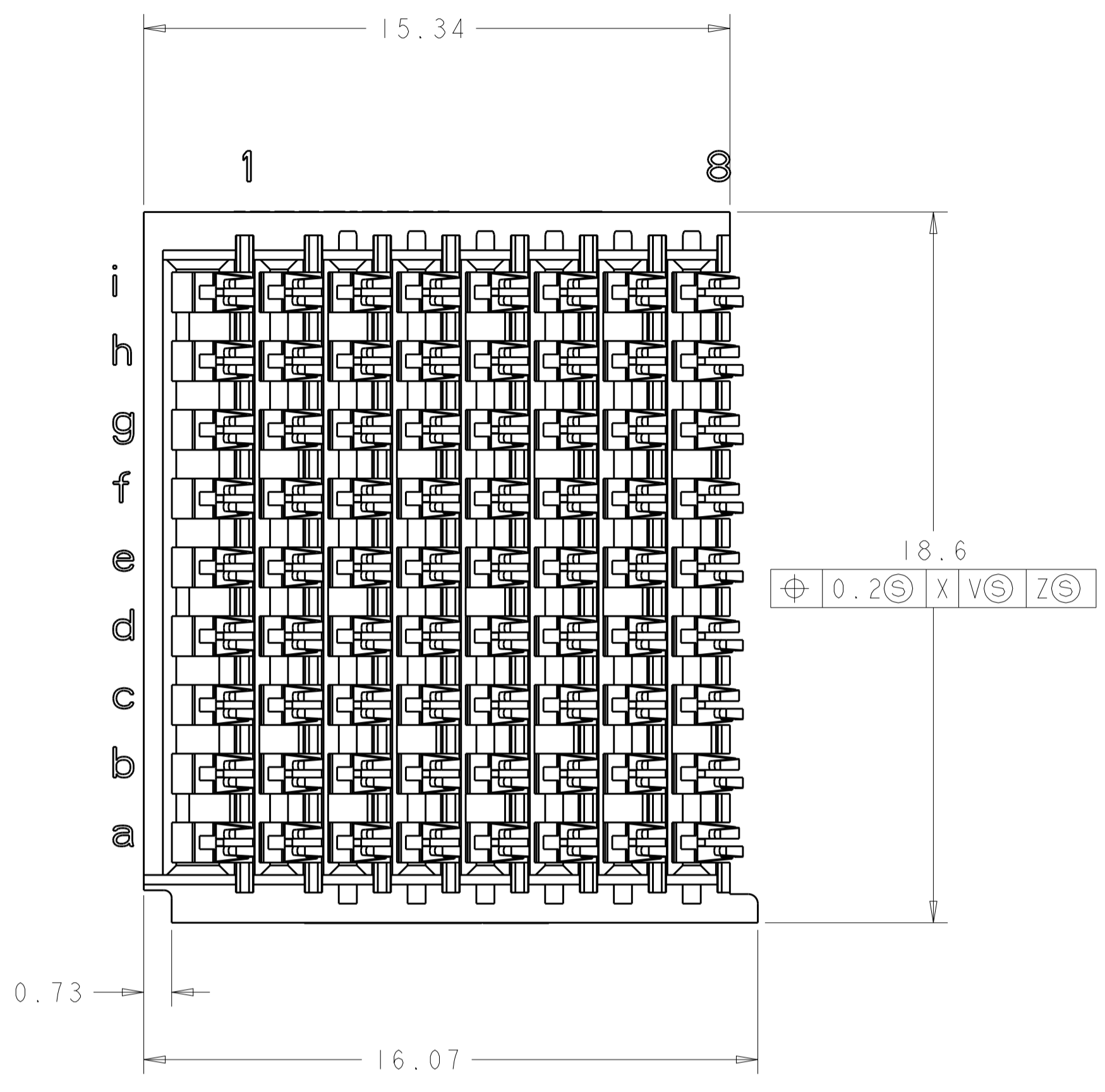
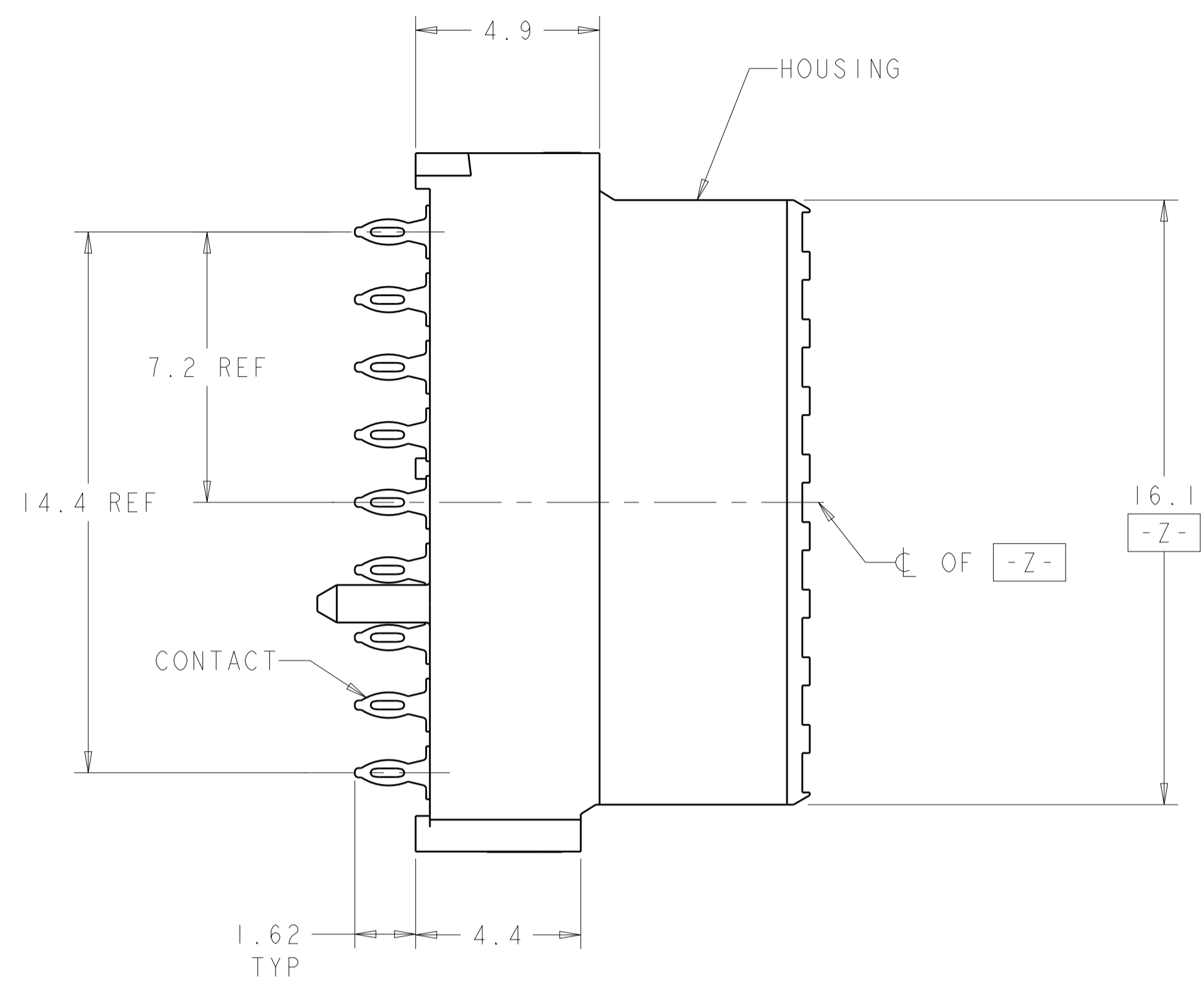
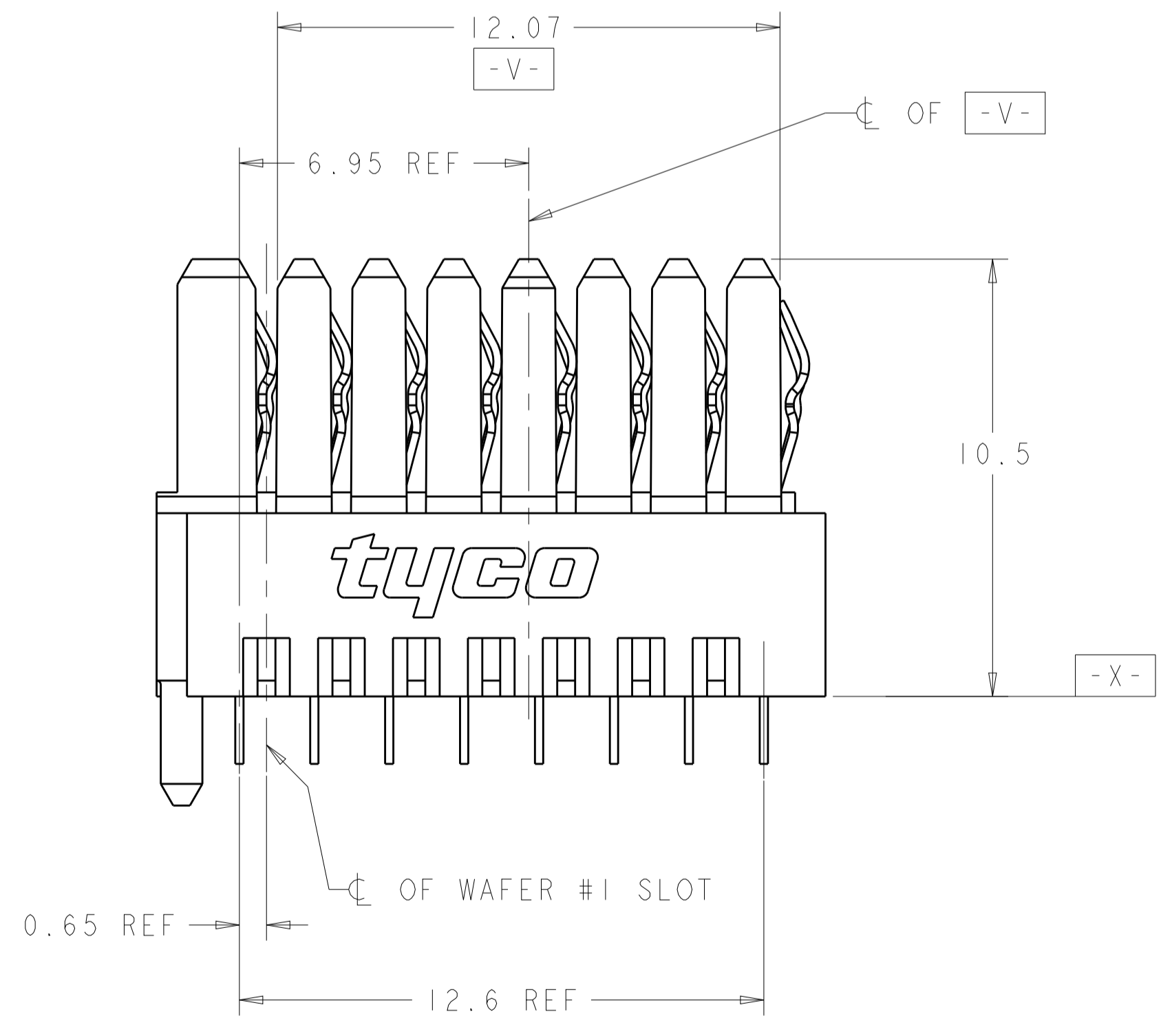
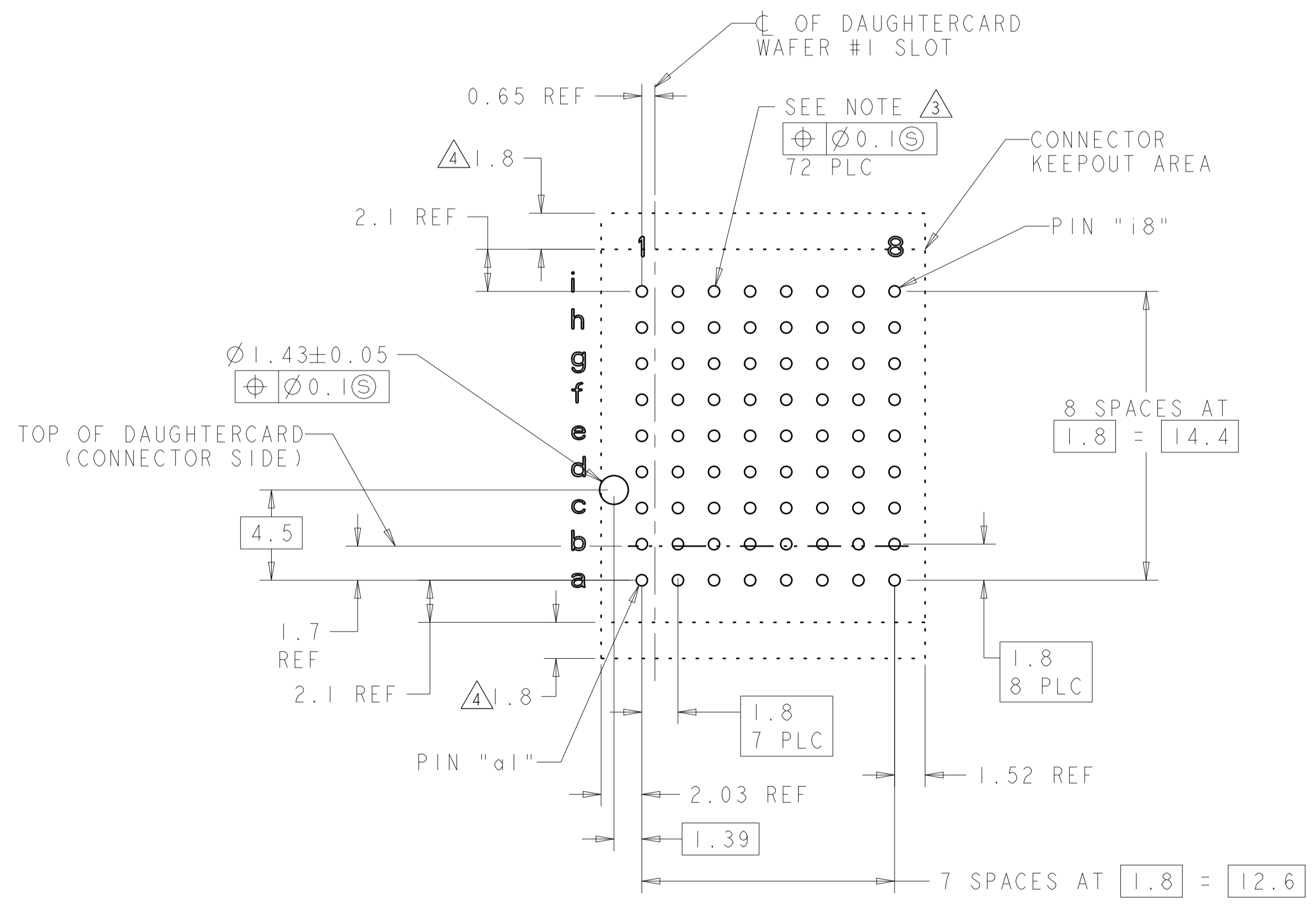


LOC		DIST		REVISIONS			
P	LTN	DESCRIPTION	DATE	DWN	APVD		
B		RELEASED PER ECO-13-004502	12MAR2013	KM	DH		
C		REVISED PER ECO-13-008265	20MAY2013	DB	DH		



- 1 HOUSING: LCP, UL94V0, COLOR: BLACK. CONTACT: PHOSPHOR BRONZE.
- 2 FINISH: 1.27µm GOLD IN CONTACT AREA 1.27µm MIN. TIN-LEAD ON PCB TAIL OVER 2.54µm MIN. NICKEL OVER ALL.
- 3 PLATED THROUGH HOLE PER 114-13056, FIGURE 4
- 4 ADDITIONAL CONNECTOR-SIDE KEEP-OUT AREA REQUIRED IF CONNECTOR-SIDE EXTRACTION TOOL IS TO BE USED.
- 5 FINISH: 1.27µm MIN GOLD IN CONTACT AREA, 0.50µm MIN TIN ON PCB TAIL OVER 2.54µm MIN. NICKEL OVER ALL.



PC BOARD LAYOUT  
 (CONNECTOR SIDE)  
 SEE SHEET 2 FOR RTM)  
 SCALE 5:1

5	2102735-2
2	2102735-1
PLATING	PART NO

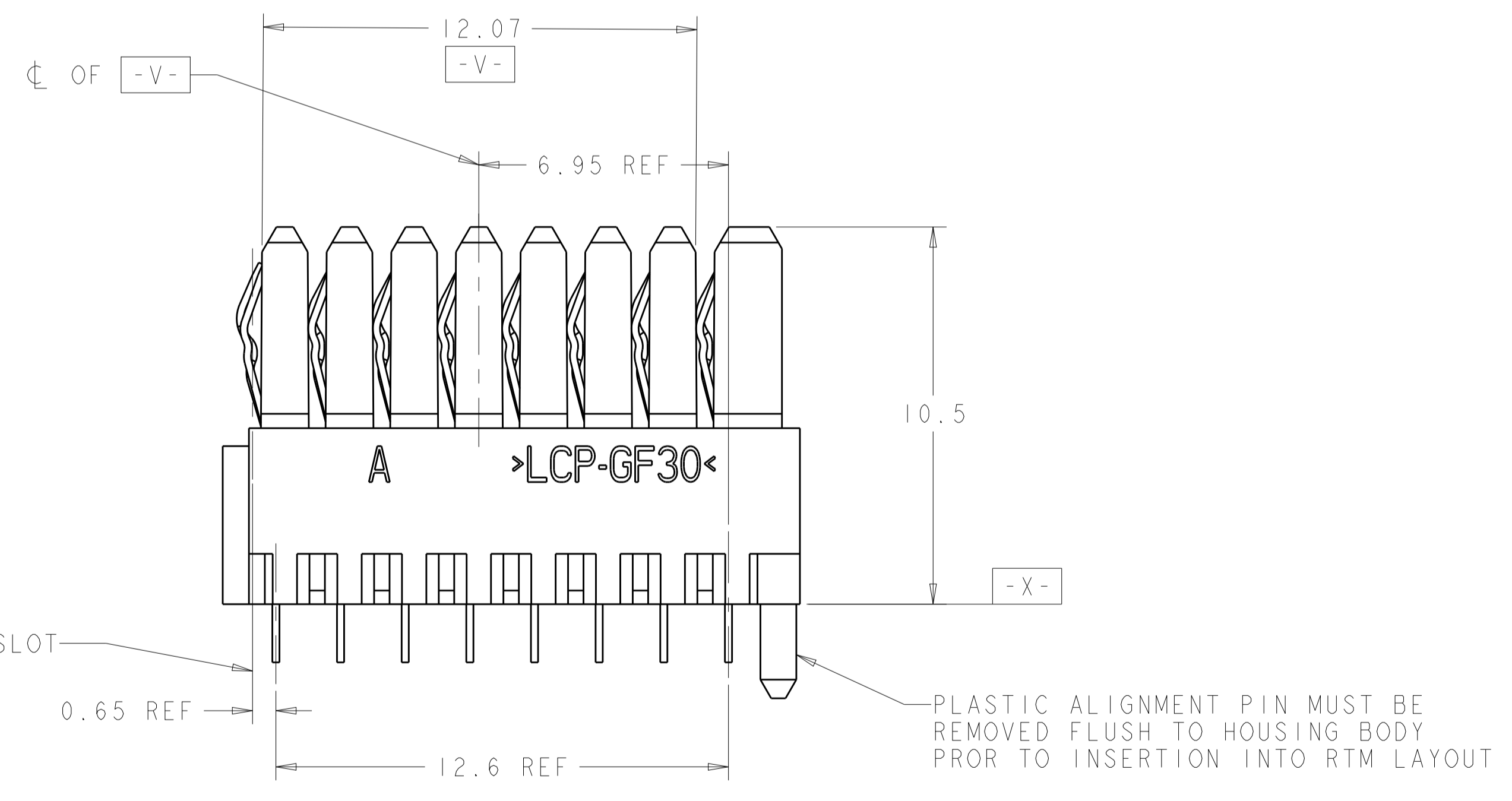
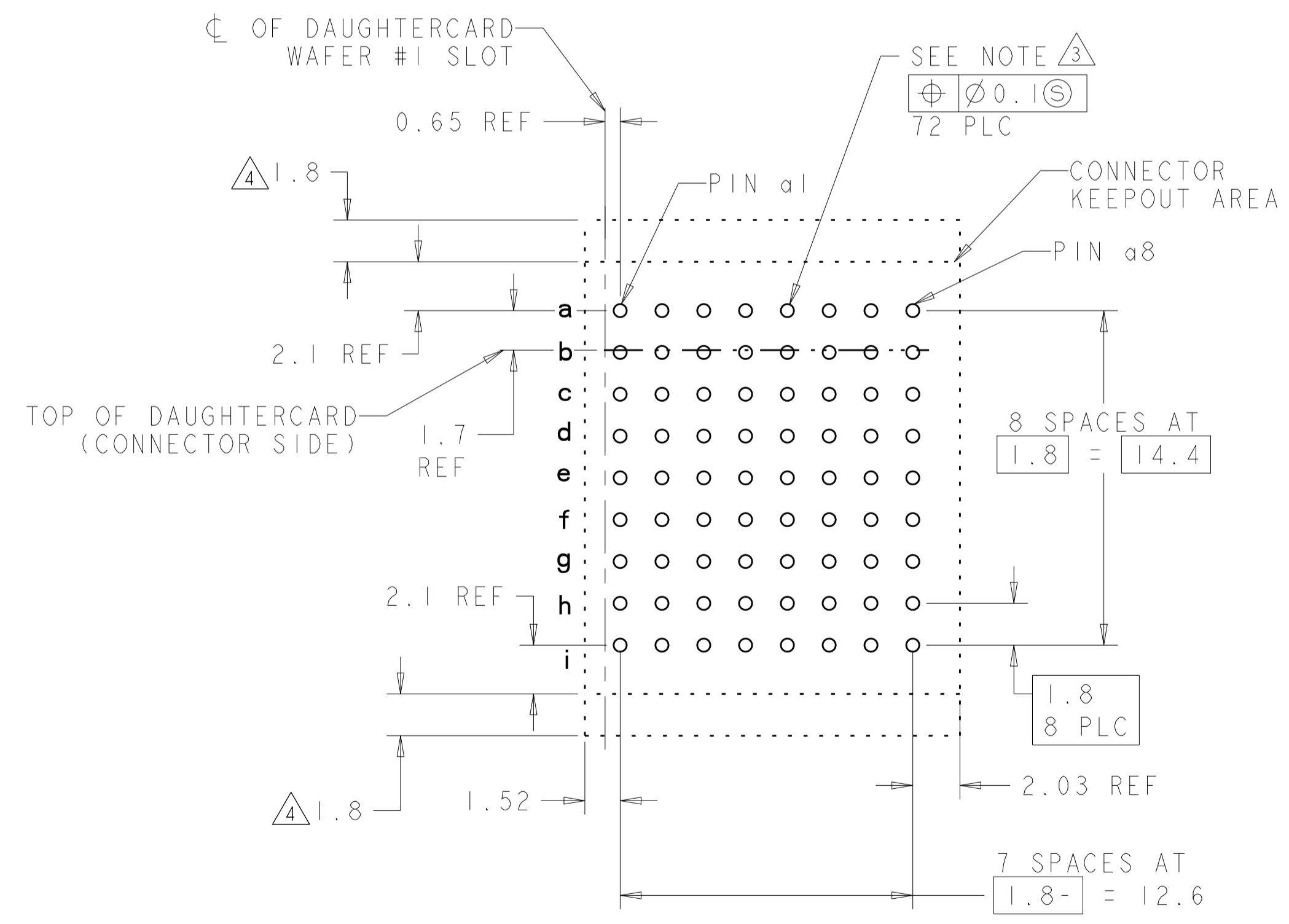
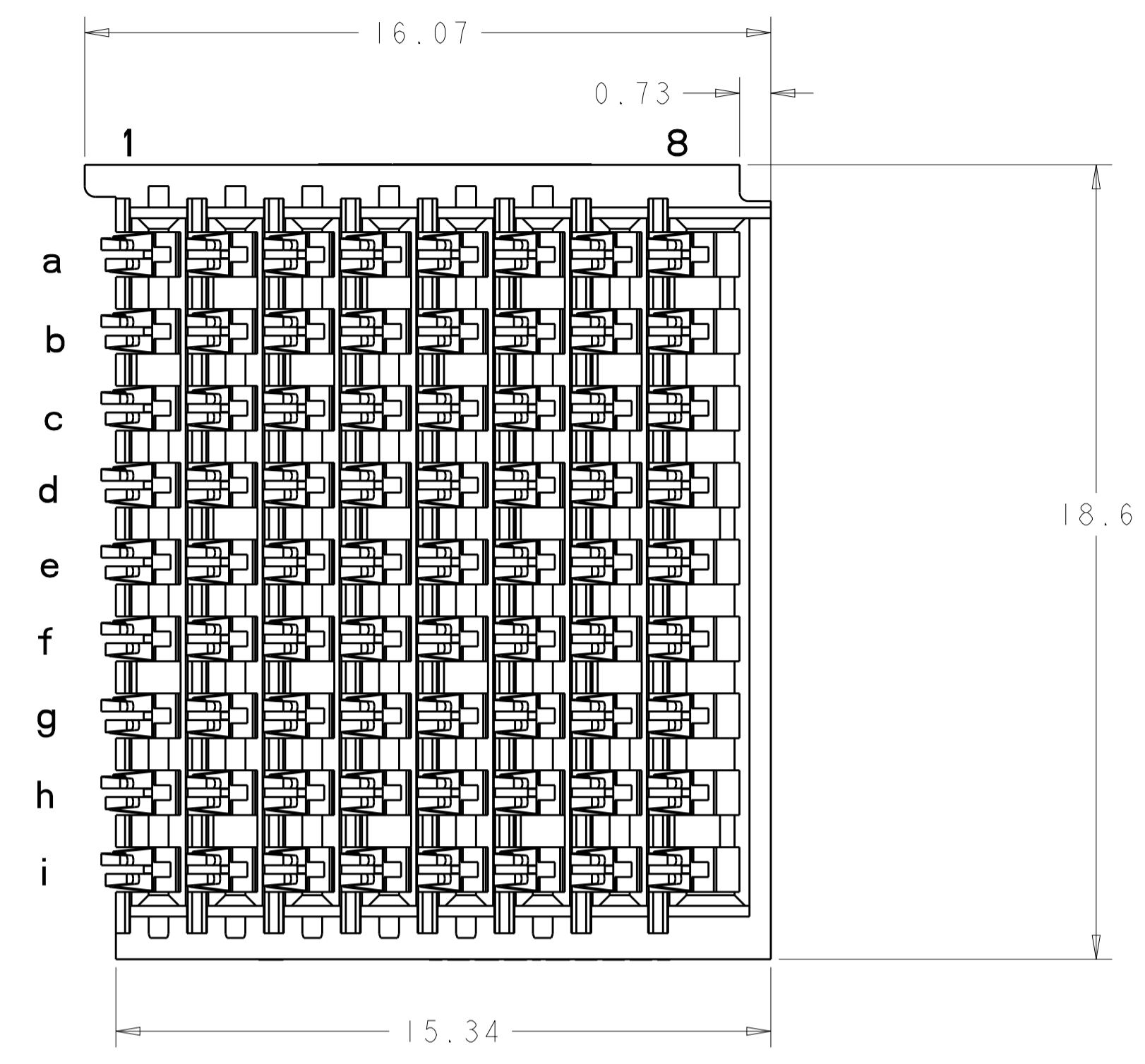
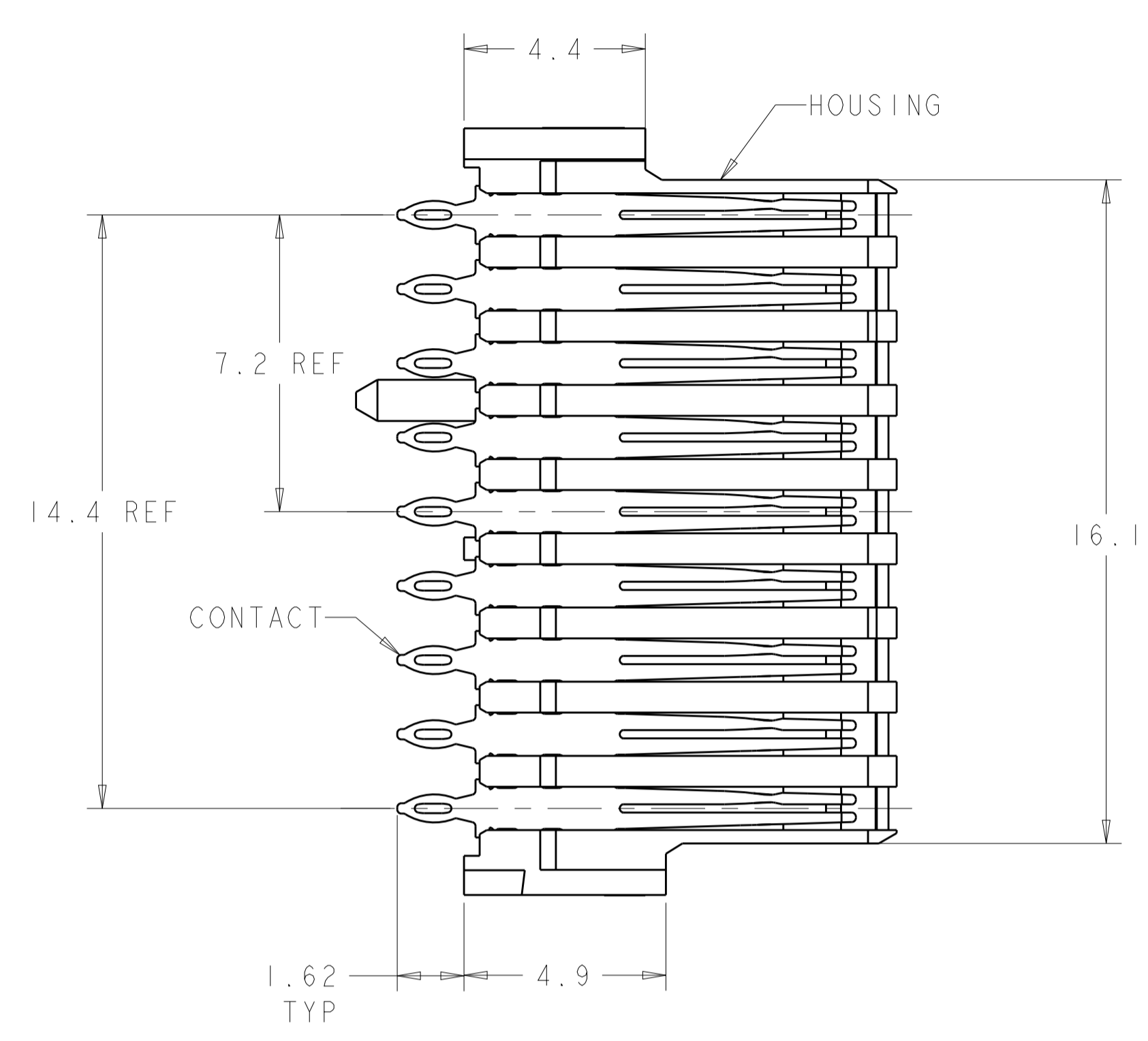
THIS DRAWING IS A CONTROLLED DOCUMENT.

DIMENSIONS:	TOLERANCES UNLESS OTHERWISE SPECIFIED:	DWN: K. MILLER 07SEP2011	CHK: K. THACKSTON 12SEP2011	APVD: M. McALONIS 10SEP2012
mm	0 PLC ±0.5 2 PLC ±0.13 3 PLC ±0.13 4 PLC ±0.13 ANGLES ±1°	PRODUCT SPEC: 108-2072	APPLICATION SPEC: 114-13056	WEIGHT: 3.55g
MATERIAL:	SEE TABLE	Customer Drawing	SCALE: 4:1	SHEET 1 OF 2

TE Connectivity  
 NAME: CONNECTOR ASSEMBLY, BACKPLANE VERTICAL RECEPTACLE, HALF, LEFT END, 20.3mm, MULTIGIG RT 2-R  
 SIZE: A100779  
 CAGE CODE: 2102735  
 RESTRICTED TO: -  
 REV: C

LOC		DIST		REVISIONS			
				DESCRIPTION	DATE	DMN	APVD
-	-	-	-	SEE SHEET 1	-	-	-

# REAR TRANSITION MODULE APPLICATION



RTM PC BOARD LAYOUT  
 (CONNECTOR SIDE)  
 SCALE 5:1

THIS DRAWING IS A CONTROLLED DOCUMENT.		DMN R. MILLER 07SEP2011	TE Connectivity
DIMENSIONS: mm		CHK K. THACKSTON 12SEP2011	
TOLERANCES UNLESS OTHERWISE SPECIFIED:		APVD M. McALONIS 10SEP2012	NAME CONNECTOR ASSEMBLY BACKPLANE VERTICAL RECEPTACLE, HALF, LEFT END, 20.3mm, MULTIGIG RT 2-R
0 PLC ± 1 PLC ±0.5 2 PLC ±0.13 3 PLC ± 4 PLC ± ANGLES ±1°		PRODUCT SPEC 108-2072	SIZE 114-13056
MATERIAL: SEE TABLE		APPLICATION SPEC 114-13056	RESTRICTED TO
		WEIGHT 3.55g	A100779C=2102735
		Customer Drawing	SCALE 4:1 SHEET 2 OF 2 REV C

## X-ON Electronics

Largest Supplier of Electrical and Electronic Components

*Click to view similar products for [High Speed/Modular Connectors](#) category:*

*Click to view products by [TE Connectivity](#) manufacturer:*

Other Similar products are found below :

[2332816-1](#) [89006-1137LF](#) [650827-1](#) [65762-001LF](#) [73474-201LF](#) [74040-1346](#) [74075-0267](#) [1410191-1](#) [1410337-1](#) [1410368-3](#) [1410964-2](#)  
[1410367-3](#) [1410971-4](#) [1467833-1](#) [2000877-1](#) [2000878-1](#) [2041314-1](#) [2065387-1](#) [2187307-1](#) [2187462-1](#) [2226278-6](#) [KA81-07](#) [91290-101LF](#)  
[163P](#) [1934290-1](#) [2000875-1](#) [2065917-1](#) [2102736-2](#) [FSR-40](#) [2169868-2](#) [2226279-2](#) [22354-8](#) [437-5040-000](#) [5-1393565-0](#) [532449-3](#) [532803-](#)  
[2](#) [34745-0001](#) [0736440217](#) [1-1393708-5](#) [72388-0021LF](#) [73774-1000](#) [532939-1](#) [5-531355-3](#) [5532901-3](#) [85838-180LF](#)  
[HM1S43TRR460H6PLF](#) [0760205010](#) [1-966831-4](#) [3-1469268-7](#) [77427-121LF](#)