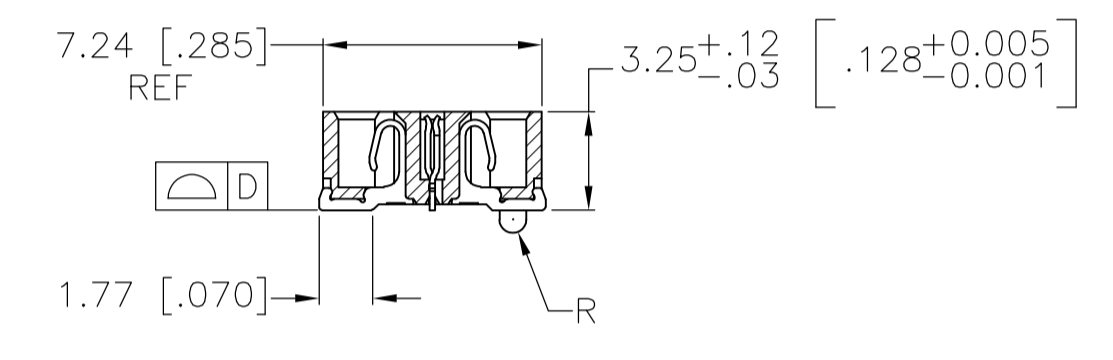
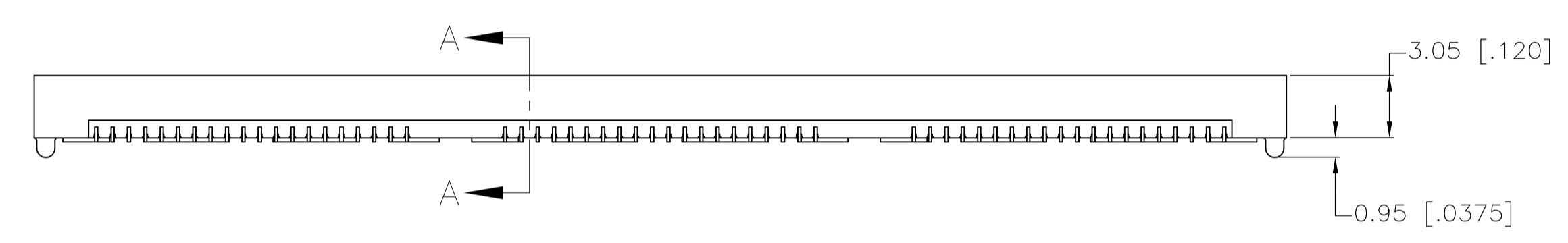
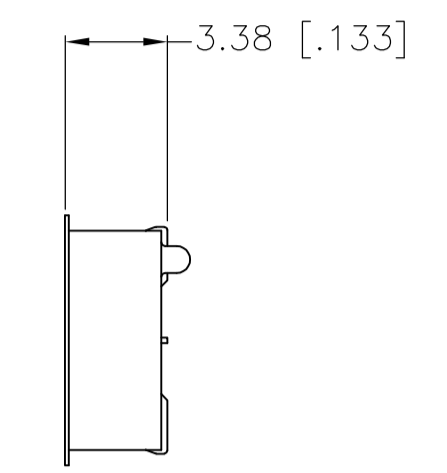
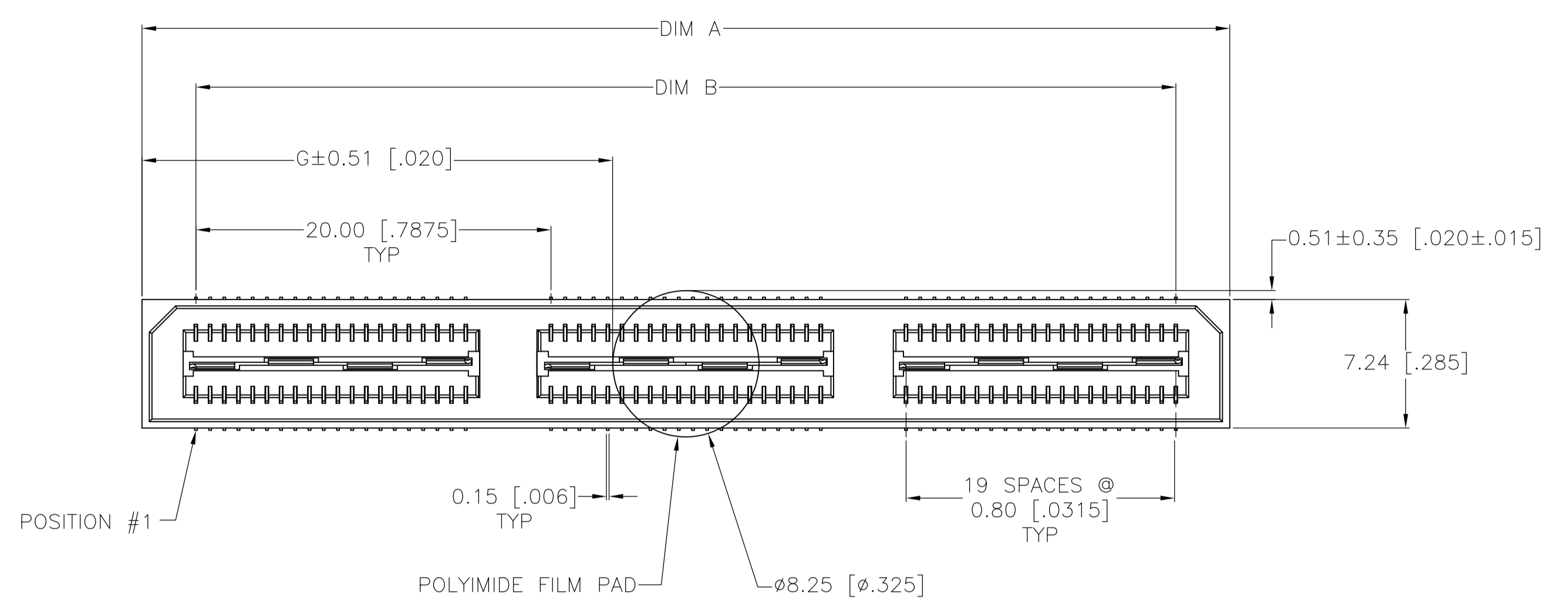
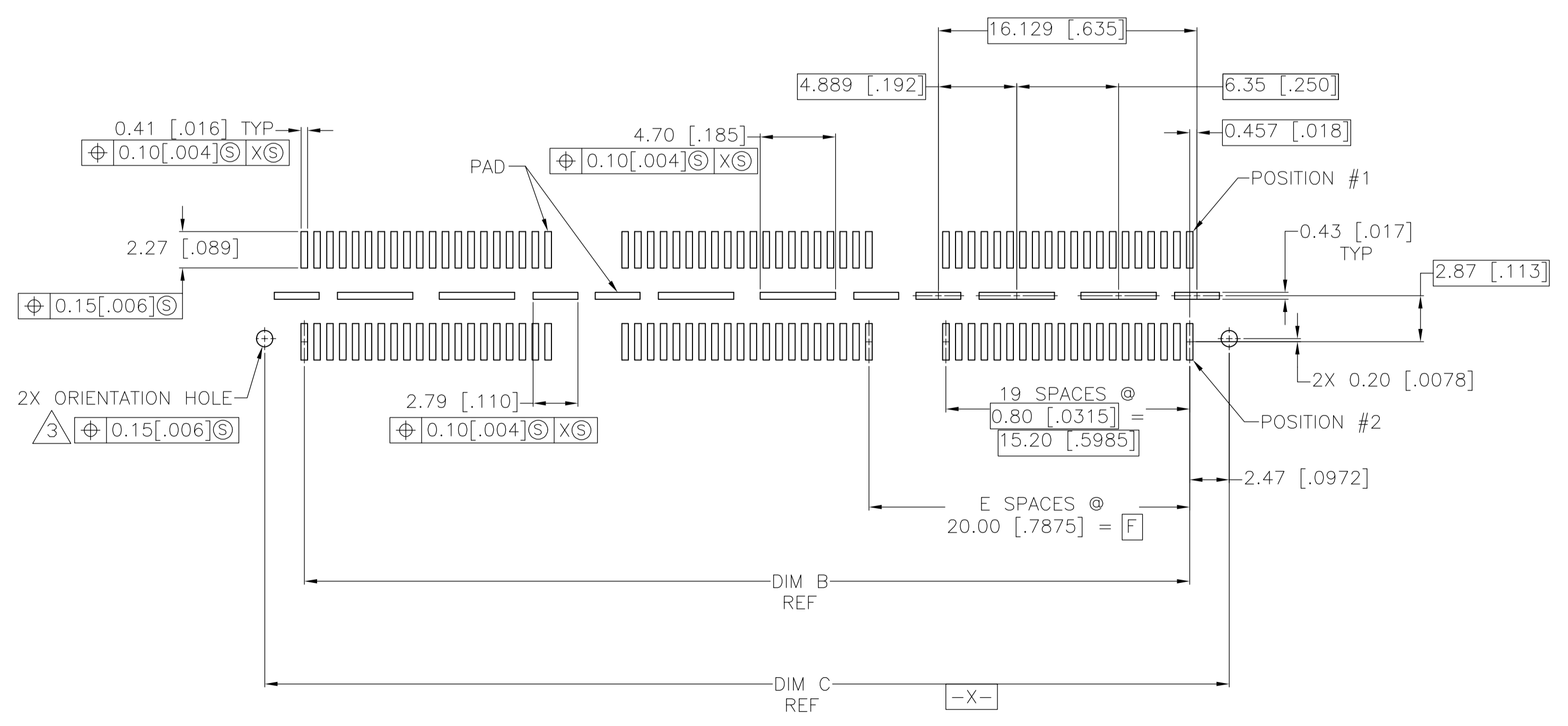
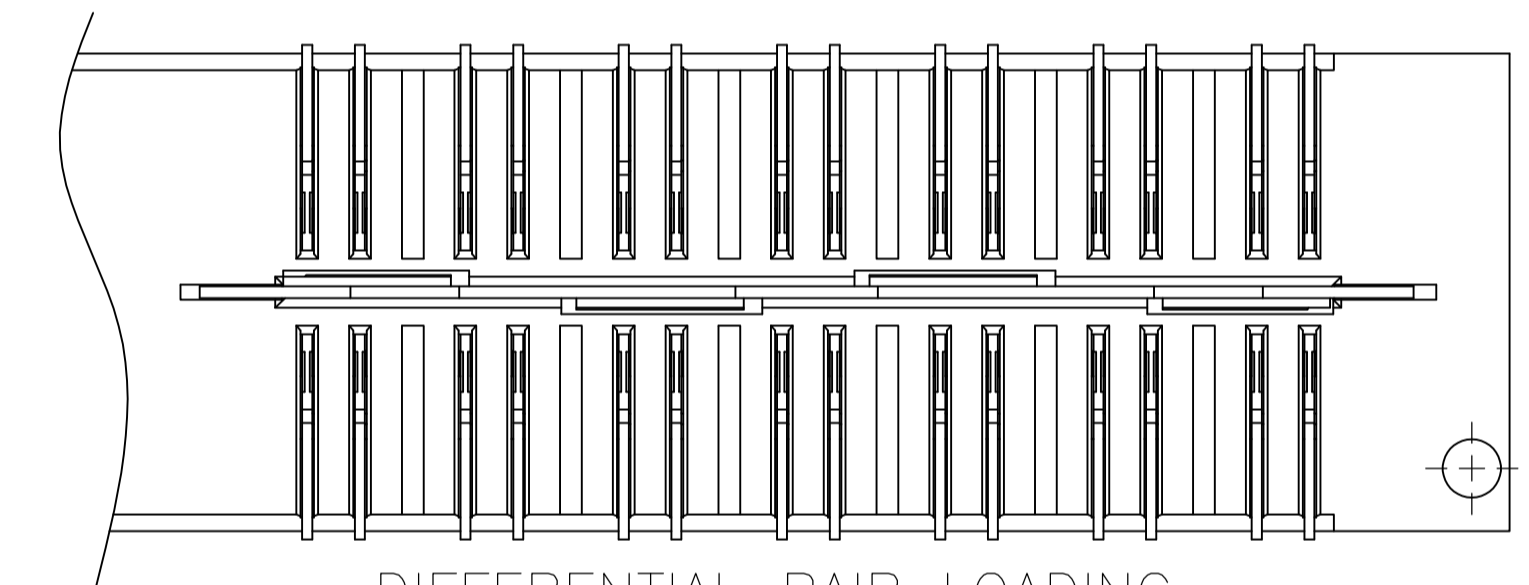
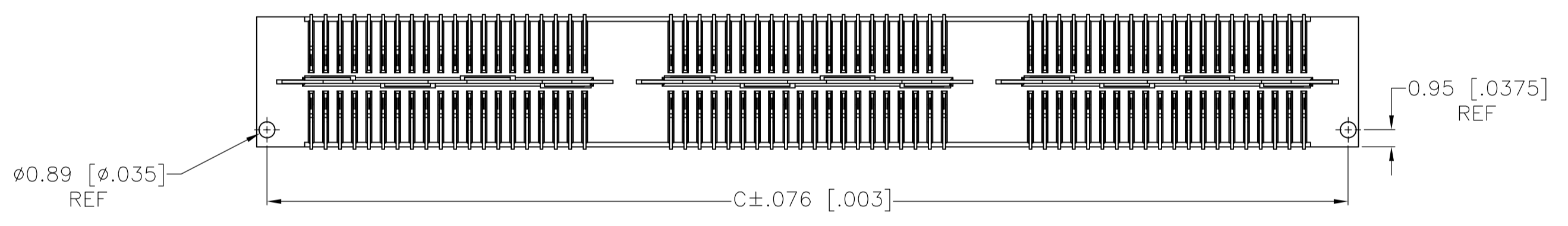


- 1 HOUSING: LCP, BLACK.  
CONTACT & GROUND PLANE: PHOS BRONZE.
- 2 CONTACT PLATING: SELECT 0.25 MICROMETERS (.00010 IN) MIN. GOLD.
- 3 FOR STANDARD APPLICATIONS, ORIENTATION HOLE TO BE  $\phi 1.02$  [ $\phi 0.400$ ].
- 4 OBSOLETE PARTS: OBSOLETE CIS STREAMLINING PER D.RENAUD/D.SINISI



SECTION A-A



REV	DATE	DESCRIPTION	BY	APPV	REV	DATE	DESCRIPTION	BY	APPV	REV	DATE	DESCRIPTION	BY	APPV
1					84	7-1658012-3								
2					56	7-1658012-2								
3					28	7-1658012-1								
4					120	6-1658012-3								
5					80	6-1658012-2								
6					40	6-1658012-1								
7					84	5-1658012-3								
8					56	5-1658012-2								
9					28	5-1658012-1								
10					120	4-1658012-3								
11					80	4-1658012-2								
12					40	4-1658012-1								
13					140	3-1658012-5								
14					112	3-1658012-4								
15					84	3-1658012-3								
16					56	3-1658012-2								
17					28	3-1658012-1								
18					200	2-1658012-5								
19					160	2-1658012-4								
20					120	2-1658012-3								
21					80	2-1658012-2								
22					40	2-1658012-1								
23					140	1-1658012-5								
24					112	1-1658012-4								
25					84	1-1658012-3								
26					56	1-1658012-2								
27					28	1-1658012-1								
28					200	1658012-5								
29					160	1658012-4								
30					120	1658012-3								
31					80	1658012-2								
32					40	1658012-1								

RECOMMENDED PC BOARD LAYOUT VIEWED FROM CONNECTOR SIDE

THIS DRAWING IS A CONTROLLED DOCUMENT.

DIMENSIONS: mm [INCHES]

TOLERANCES UNLESS OTHERWISE SPECIFIED:

0 PL	±	
1 PL	±	0.3[.01]
2 PL	±	0.15[.005]
3 PL	±	0.05[.002]
4 PL	±	0.025[.001]
ANGLES	±	°

MATERIAL: 1 FINISH: 2

THIS DRAWING IS A CONTROLLED DOCUMENT. DIB: MCMMASTER 18OCT04. CJK: 18OCT04. APVD: D.DIXON 18OCT04. NAME: RECEPACLE ASSEMBLY, VERTICAL 0.80MM CL. PRODUCT SPEC: APPLICATION SPEC. SIZE: A1. CASE CODE: 00779. DRAWING NO: 1658012. WEIGHT: 1. RESTRICTED TO: CUSTOMER DRAWING. SCALE: 4:1. SHEET: 1 OF 1. REV: M2.

## X-ON Electronics

Largest Supplier of Electrical and Electronic Components

*Click to view similar products for [Board to Board & Mezzanine Connectors](#) category:*

*Click to view products by [TE Connectivity](#) manufacturer:*

Other Similar products are found below :

[10135583-642402LF](#) [89885-310LF](#) [589158040000018](#) [6-1393048-0](#) [68683-613](#) [MDF7-12DP-2.54DSA](#) [MDF7-18P-2.54DSA\(01\)](#) [MDF7-20DP-2.54DSA](#) [MDF7-26D-2.54DSA\(55\)](#) [MDF7-3P-2.54DSA\(01\)](#) [MDF7B-3P-2.54DSA\(55\)](#) [MDF7C-11P-2.54DSA\(55\)](#) [MDF7C-18P-2.54DSA\(55\)](#) [MDF7C-5P-2.54DSA\(01\)](#) [MDF7P-5P-2.54DSA\(55\)](#) [75234-0516](#) [FCN-230C068-11](#) [FCN-268F012-G/BD](#) [FCN-268F036-G/BD](#) [FCN-268M012-G/0D](#) [FCN-268M024-G/1D](#) [FCN-360C008-C](#) [FCN-360C040-C](#) [FCN-723J004/1](#) [MIS-048-01-F-D-DP-K](#) [832-10-034-10-001000](#) [93696-325LF](#) [11828-1FA](#) [AXK630345P](#) [18097-0013](#) [ICA-328STT](#) [2007042-2](#) [304400-2](#) [FCN-214Q030-G/0](#) [FCN-215Q040-G/0](#) [FCN-230C068-ESA](#) [FCN-234P048-G/0](#) [FCN-235D050-G/C](#) [FCN-360A3](#) [FCN-360C040-B](#) [210-93-314-41-105000](#) [2-22603-0](#) [379-064-521-202](#) [MDF7-12P-2.54DSA\(01\)](#) [MDF7-16P-2.54DS\(56\)](#) [MDF7-40DP-2.54DSA\(55\)](#) [MDF7-8P-2.54DSA\(55\)](#) [MDF7B-16P-2.54DSA\(55\)](#) [AXG720047](#) [5031084030](#)