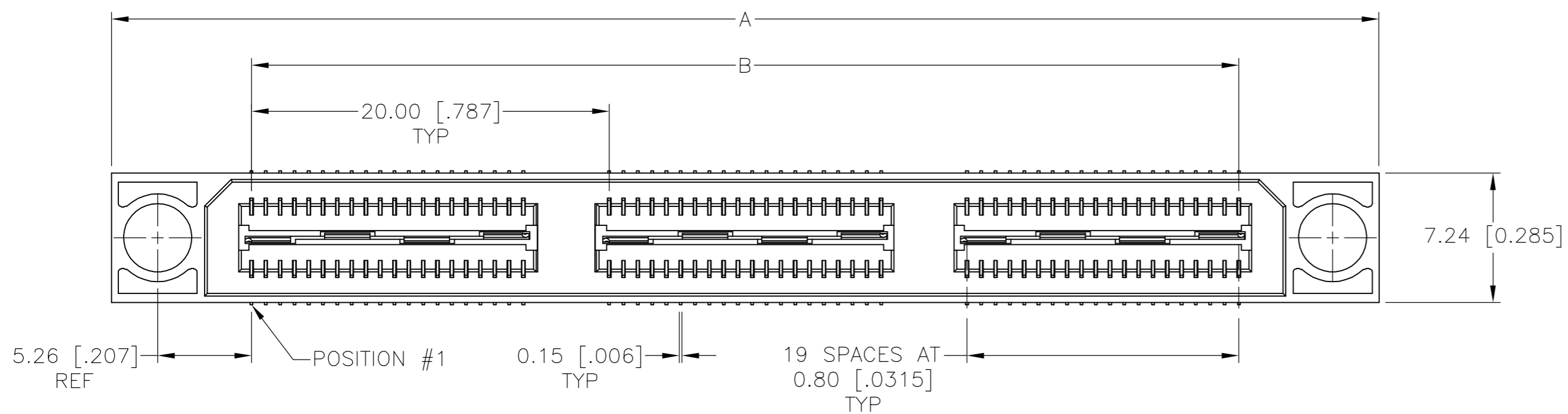
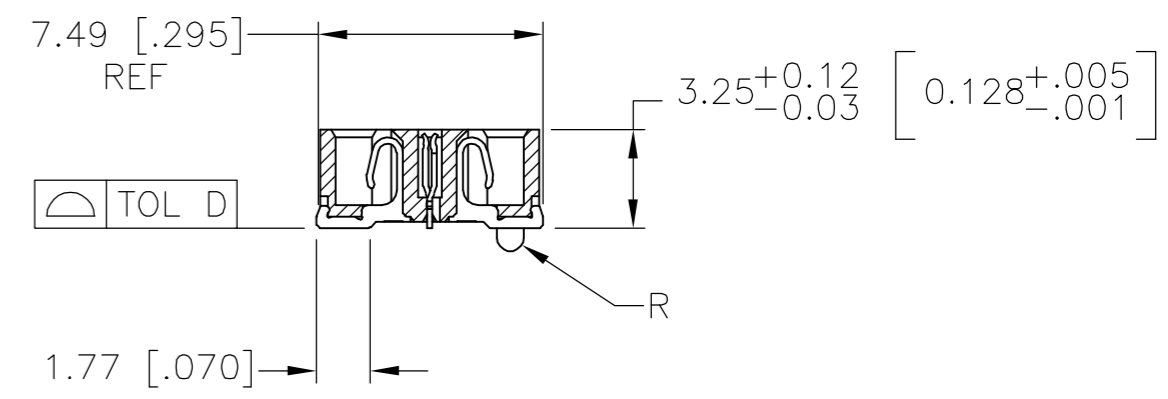
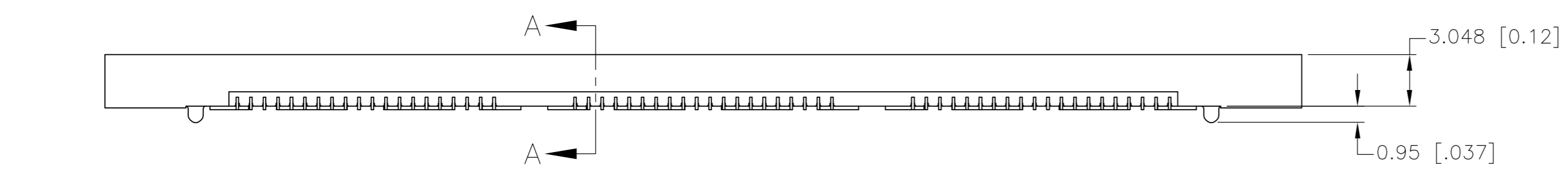


THIS DRAWING IS UNPUBLISHED. RELEASED FOR PUBLICATION
 © COPYRIGHT BY TYCO ELECTRONICS CORPORATION. ALL RIGHTS RESERVED.

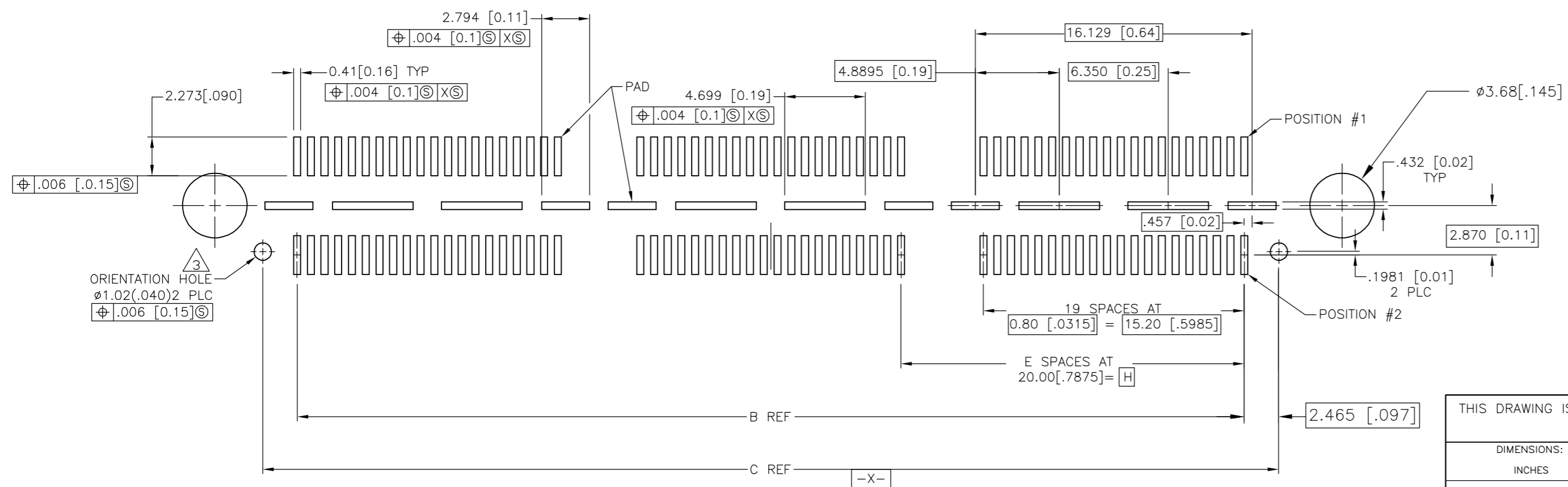
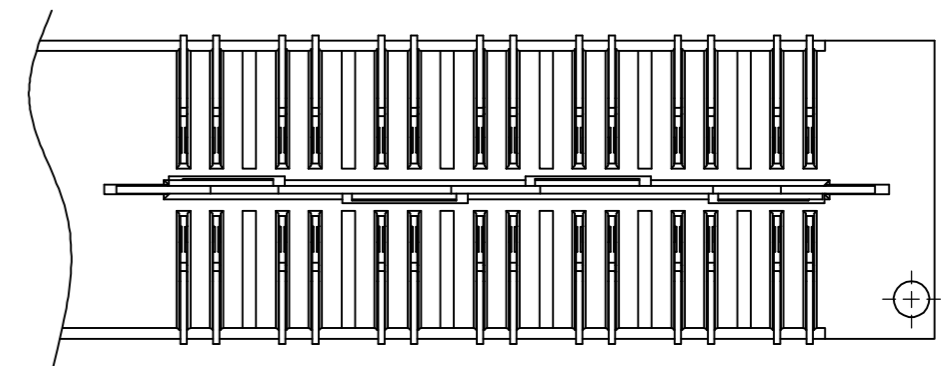
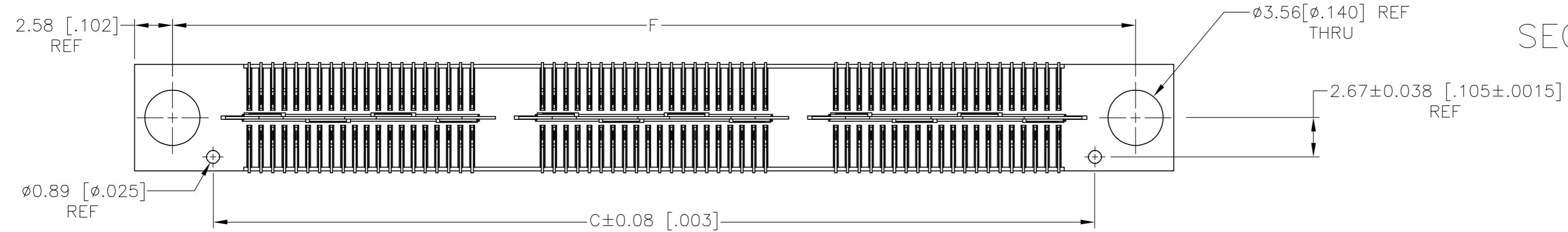
| LOC | DIST | REVISIONS | | | |
|-----|------|-------------|-------------------------|---------|-------|
| P | LTR | DESCRIPTION | DATE | DWN | APVD |
| AD | 00 | K | REV PER EC 0512-0310-05 | 11OCT05 | BC DD |



- 1 HOUSING: LCP, BLACK.
CONTACT & GROUND PLANE: PHOS BRONZE.
- 2 CONTACT PLATING: SELECT 0.25 MICROMETERS (.00010) MIN. GOLD.
- 3 FOR STANDARD APPLICATIONS, ORIENTATION HOLE TO BE $\phi 1.02 [\phi .040]$.



SECTION A-A



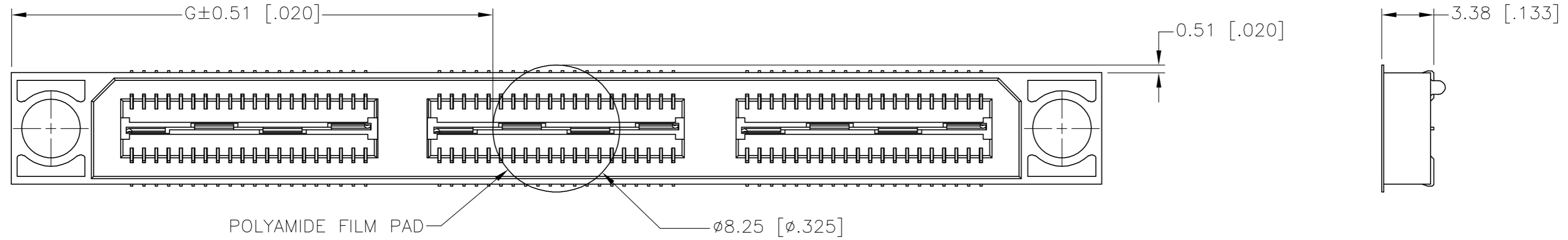
RECOMMENDED PC BOARD LAYOUT
(VIEWED FROM CONNECTOR SIDE)

| | | | |
|--|---|--|---|
| THIS DRAWING IS A CONTROLLED DOCUMENT. | | DWN B.CARBO 03MAR03 | Tyco Electronics Corporation Harrisburg, PA 17105-3608 |
| DIMENSIONS: INCHES | | CHK D.DIXON 03MAR03 | |
| TOLERANCES UNLESS OTHERWISE SPECIFIED: | | APVD D.DIXON 03MAR03 | |
| 0 PLC ± - 1 PLC ± 0.3[.01] 2 PLC ± 0.13[.005] 3 PLC ± 0.05[.0020] 4 PLC ± - ANGLES ± 2° FINISH | | NAME RECEPTACLE ASSEMBLY, VERTICAL, 0.80MM CL, MICTOR SB | |
| MATERIAL | 1 | APPLICATION SPEC | SIZE A2 |
| CUSTOMER DRAWING | | WEIGHT - | CAGE CODE 00779 |
| | | SCALE 4:1 | DRAWING NO C=1658062 |
| | | SHEET 1 of 2 | RESTRICTED TO - |
| | | REV K | |

1658062

THIS DRAWING IS UNPUBLISHED. RELEASED FOR PUBLICATION
 © COPYRIGHT BY TYCO ELECTRONICS CORPORATION. ALL RIGHTS RESERVED.

| LOC | DIST | REVISIONS | | | |
|-----|------|-------------|------|-----|------|
| P | LTR | DESCRIPTION | DATE | DWN | APVD |
| AD | 00 | SEE SHEET 1 | - | - | - |



| | | | | | | | | | | | | |
|--------------|--------------|---------------|---|--------------|---------------|--------------|---------------|----------------------|----------------|------------|-----------|-------------|
| 20.00(.7874) | 21.32(.839) | 45.72(1.800) | 1 | 0.102(.0040) | 40.13(1.580) | 35.20(1.386) | 50.90(2.004) | YES | POCKET TAPE | YES | 56 | 7-1658062-2 |
| 0(.000) | 11.32(.446) | 25.72(1.013) | 0 | 0.102(.0040) | 20.13(.793) | 15.20(.598) | 30.90(1.217) | YES | POCKET TAPE | YES | 28 | 7-1658062-1 |
| 20.00(.7874) | 21.32(.839) | 45.72(1.800) | 1 | 0.102(.0040) | 40.13(1.580) | 35.20(1.386) | 50.90(2.004) | YES | POCKET TAPE | NO | 80 | 6-1658062-2 |
| 0(.000) | 11.32(.446) | 25.72(1.013) | 0 | 0.102(.0040) | 20.13(.793) | 15.20(.598) | 30.90(1.217) | YES | POCKET TAPE | NO | 40 | 6-1658062-1 |
| 20.00(.7874) | - | 45.72(1.800) | 1 | 0.102(.0040) | 40.13(1.580) | 35.20(1.386) | 50.90(2.004) | NO | POCKET TAPE | YES | 56 | 5-1658062-2 |
| 0(.000) | - | 25.72(1.013) | 0 | 0.102(.0040) | 20.13(.793) | 15.20(.598) | 30.90(1.217) | NO | POCKET TAPE | YES | 28 | 5-1658062-1 |
| 20.00(.7874) | - | 45.72(1.800) | 1 | 0.102(.0040) | 40.13(1.580) | 35.20(1.386) | 50.90(2.004) | NO | POCKET TAPE | NO | 80 | 4-1658062-2 |
| 0(.000) | - | 25.72(1.013) | 0 | 0.102(.0040) | 20.13(.793) | 15.20(.598) | 30.90(1.217) | NO | POCKET TAPE | NO | 40 | 4-1658062-1 |
| 80.00(3.150) | 51.32(2.020) | 105.72(4.162) | 4 | 0.152(.0060) | 100.14(3.943) | 95.20(3.748) | 110.91(4.367) | YES | TRAY | YES | 140 | 3-1658062-5 |
| 60.00(2.362) | 41.32(1.627) | 85.72(3.375) | 3 | 0.152(.0060) | 80.14(3.155) | 75.20(2.961) | 90.91(3.579) | YES | TRAY | YES | 112 | 3-1658062-4 |
| 40.00(1.575) | 31.32(1.233) | 65.72(2.587) | 2 | 0.152(.0060) | 60.13(2.368) | 55.20(2.173) | 70.90(2.791) | YES | TRAY | YES | 84 | 3-1658062-3 |
| 20.00(.7874) | 21.32(.839) | 45.72(1.800) | 1 | 0.102(.0040) | 40.13(1.580) | 35.20(1.386) | 50.90(2.004) | YES | TRAY | YES | 56 | 3-1658062-2 |
| 0(.000) | 11.32(.446) | 25.72(1.013) | 0 | 0.102(.0040) | 20.13(.793) | 15.20(.598) | 30.90(1.217) | YES | TRAY | YES | 28 | 3-1658062-1 |
| 80.00(3.150) | 51.32(2.020) | 105.72(4.162) | 4 | 0.152(.0060) | 100.14(3.943) | 95.20(3.748) | 110.91(4.367) | YES | TRAY | NO | 200 | 2-1658062-5 |
| 60.00(2.362) | 41.32(1.627) | 85.72(3.375) | 3 | 0.152(.0060) | 80.14(3.155) | 75.20(2.961) | 90.91(3.579) | YES | TRAY | NO | 160 | 2-1658062-4 |
| 40.00(1.575) | 31.32(1.233) | 65.72(2.587) | 2 | 0.152(.0060) | 60.13(2.368) | 55.20(2.173) | 70.90(2.791) | YES | TRAY | NO | 120 | 2-1658062-3 |
| 20.00(.7874) | 21.32(.839) | 45.72(1.800) | 1 | 0.102(.0040) | 40.13(1.580) | 35.20(1.386) | 50.90(2.004) | YES | TRAY | NO | 80 | 2-1658062-2 |
| 0(.000) | 11.32(.446) | 25.72(1.013) | 0 | 0.102(.0040) | 20.13(.793) | 15.20(.598) | 30.90(1.217) | YES | TRAY | NO | 40 | 2-1658062-1 |
| 80.00(3.150) | - | 105.72(4.162) | 4 | 0.152(.0060) | 100.14(3.943) | 95.20(3.748) | 110.91(4.367) | NO | TRAY | YES | 140 | 1-1658062-5 |
| 60.00(2.362) | - | 85.72(3.375) | 3 | 0.152(.0060) | 80.14(3.155) | 75.20(2.961) | 90.91(3.579) | NO | TRAY | YES | 112 | 1-1658062-4 |
| 40.00(1.575) | - | 65.72(2.587) | 2 | 0.152(.0060) | 60.13(2.368) | 55.20(2.173) | 70.90(2.791) | NO | TRAY | YES | 84 | 1-1658062-3 |
| 20.00(.7874) | - | 45.72(1.800) | 1 | 0.102(.0040) | 40.13(1.580) | 35.20(1.386) | 50.90(2.004) | NO | TRAY | YES | 56 | 1-1658062-2 |
| 0(.000) | - | 25.72(1.013) | 0 | 0.102(.0040) | 20.13(.793) | 15.20(.598) | 30.90(1.217) | NO | TRAY | YES | 28 | 1-1658062-1 |
| 80.00(3.150) | - | 105.72(4.162) | 4 | 0.152(.0060) | 100.14(3.943) | 95.20(3.748) | 110.91(4.367) | NO | TRAY | NO | 200 | 1658062-5 |
| 60.00(2.362) | - | 85.72(3.375) | 3 | 0.152(.0060) | 80.14(3.155) | 75.20(2.961) | 90.91(3.579) | NO | TRAY | NO | 160 | 1658062-4 |
| 40.00(1.575) | - | 65.72(2.587) | 2 | 0.152(.0060) | 60.13(2.368) | 55.20(2.173) | 70.90(2.791) | NO | TRAY | NO | 120 | 1658062-3 |
| 20.00(.7874) | - | 45.72(1.800) | 1 | 0.102(.0040) | 40.13(1.580) | 35.20(1.386) | 50.90(2.004) | NO | TRAY | NO | 80 | 1658062-2 |
| 0(.000) | - | 25.72(1.013) | 0 | 0.102(.0040) | 20.13(.793) | 15.20(.598) | 30.90(1.217) | NO | TRAY | NO | 40 | 1658062-1 |
| H | G | F | E | D | C | B | A | POLYIMIDE FILM PAD ▲ | PACKAGING TYPE | DIFF. PAIR | NO OF POS | PART NUMBER |

THIS DRAWING IS A CONTROLLED DOCUMENT.

DWN B.CARBO 03MAR03
 CHK D.DIXON 03MAR03
 APVD D.DIXON 03MAR03
 PRODUCT SPEC
 APPLICATION SPEC

tyco Electronics Tyco Electronics Corporation
 Harrisburg, PA 17105-3608

RECEPTACLE ASSEMBLY, VERTICAL,
 0.80MM CL,
 MICTOR SB

SIZE A2 CAGE CODE 00779 DRAWING NO C=1658062 RESTRICTED TO -

MATERIAL SEE SHEET 1 FINISH SEE SHEET 1 WEIGHT - SCALE 4:1 SHEET 2 OF 2 REV K

CUSTOMER DRAWING

X-ON Electronics

Largest Supplier of Electrical and Electronic Components

Click to view similar products for [Board to Board & Mezzanine Connectors](#) category:

Click to view products by [TE Connectivity](#) manufacturer:

Other Similar products are found below :

[10135583-642402LF](#) [89885-310LF](#) [589158040000018](#) [6-1393048-0](#) [68683-613](#) [MDF7-12DP-2.54DSA](#) [MDF7-18P-2.54DSA\(01\)](#) [MDF7-20DP-2.54DSA](#) [MDF7-26D-2.54DSA\(55\)](#) [MDF7-3P-2.54DSA\(01\)](#) [MDF7B-3P-2.54DSA\(55\)](#) [MDF7C-11P-2.54DSA\(55\)](#) [MDF7C-18P-2.54DSA\(55\)](#) [MDF7C-5P-2.54DSA\(01\)](#) [MDF7P-5P-2.54DSA\(55\)](#) [75234-0516](#) [FCN-230C068-11](#) [FCN-268F012-G/BD](#) [FCN-268F036-G/BD](#) [FCN-268M012-G/0D](#) [FCN-268M024-G/1D](#) [FCN-360C008-C](#) [FCN-360C040-C](#) [FCN-723J004/1](#) [MIS-048-01-F-D-DP-K](#) [832-10-034-10-001000](#) [93696-325LF](#) [11828-1FA](#) [AXK630345P](#) [18097-0013](#) [ICA-328STT](#) [2007042-2](#) [304400-2](#) [FCN-214Q030-G/0](#) [FCN-215Q040-G/0](#) [FCN-230C068-ESA](#) [FCN-234P048-G/0](#) [FCN-235D050-G/C](#) [FCN-360A3](#) [FCN-360C040-B](#) [210-93-314-41-105000](#) [2-22603-0](#) [379-064-521-202](#) [MDF7-12P-2.54DSA\(01\)](#) [MDF7-16P-2.54DS\(56\)](#) [MDF7-40DP-2.54DSA\(55\)](#) [MDF7-8P-2.54DSA\(55\)](#) [MDF7B-16P-2.54DSA\(55\)](#) [AXG720047](#) [5031084030](#)