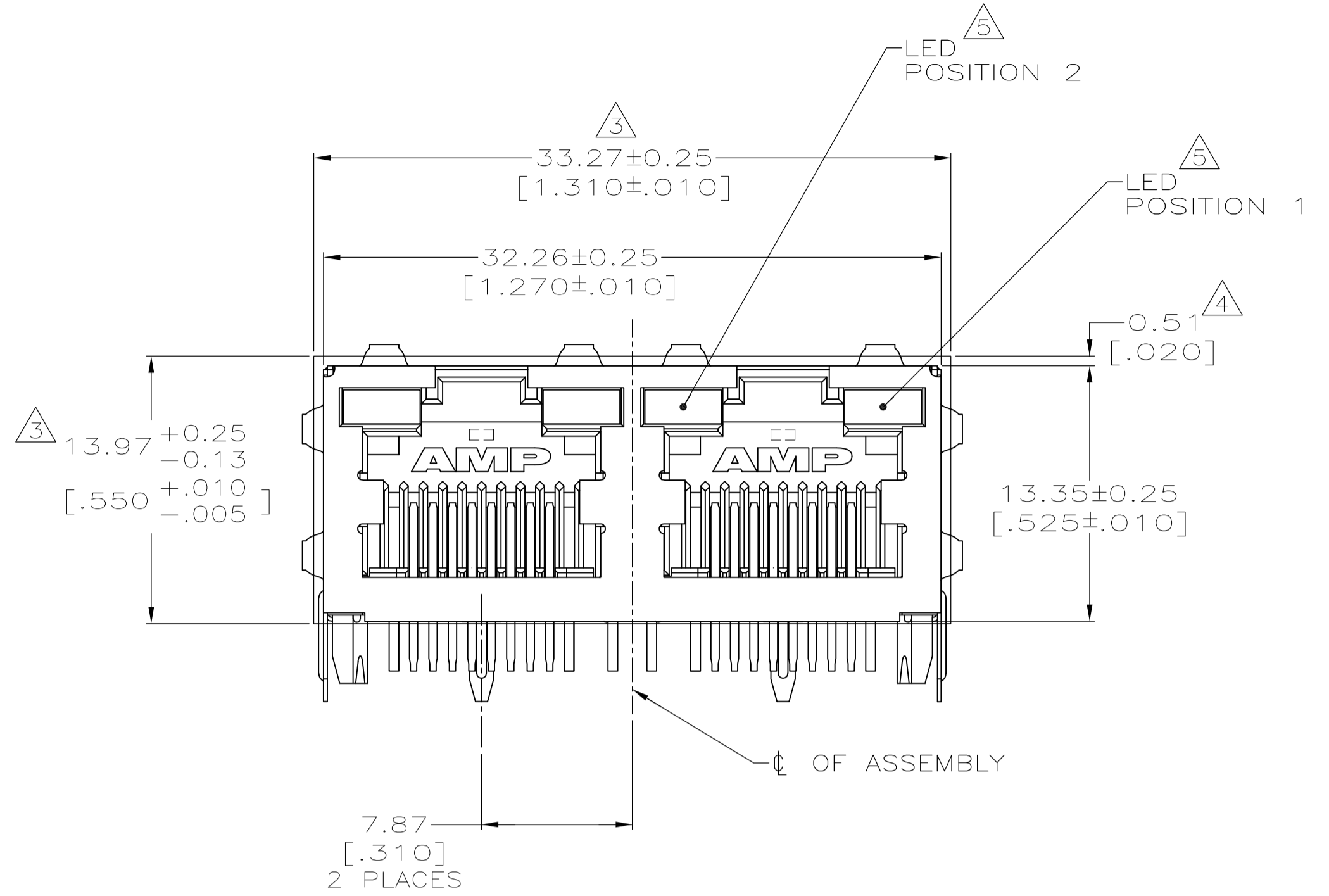
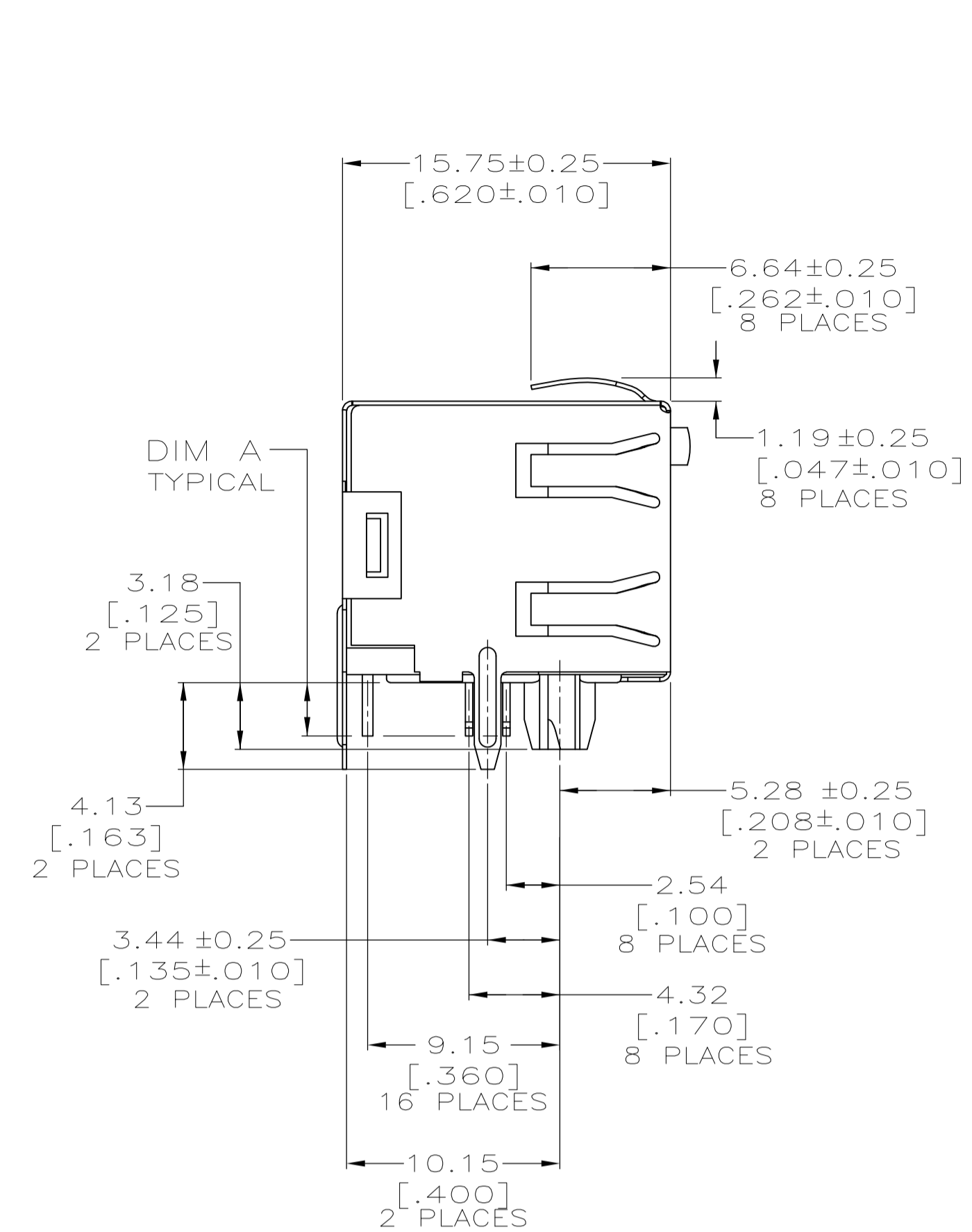
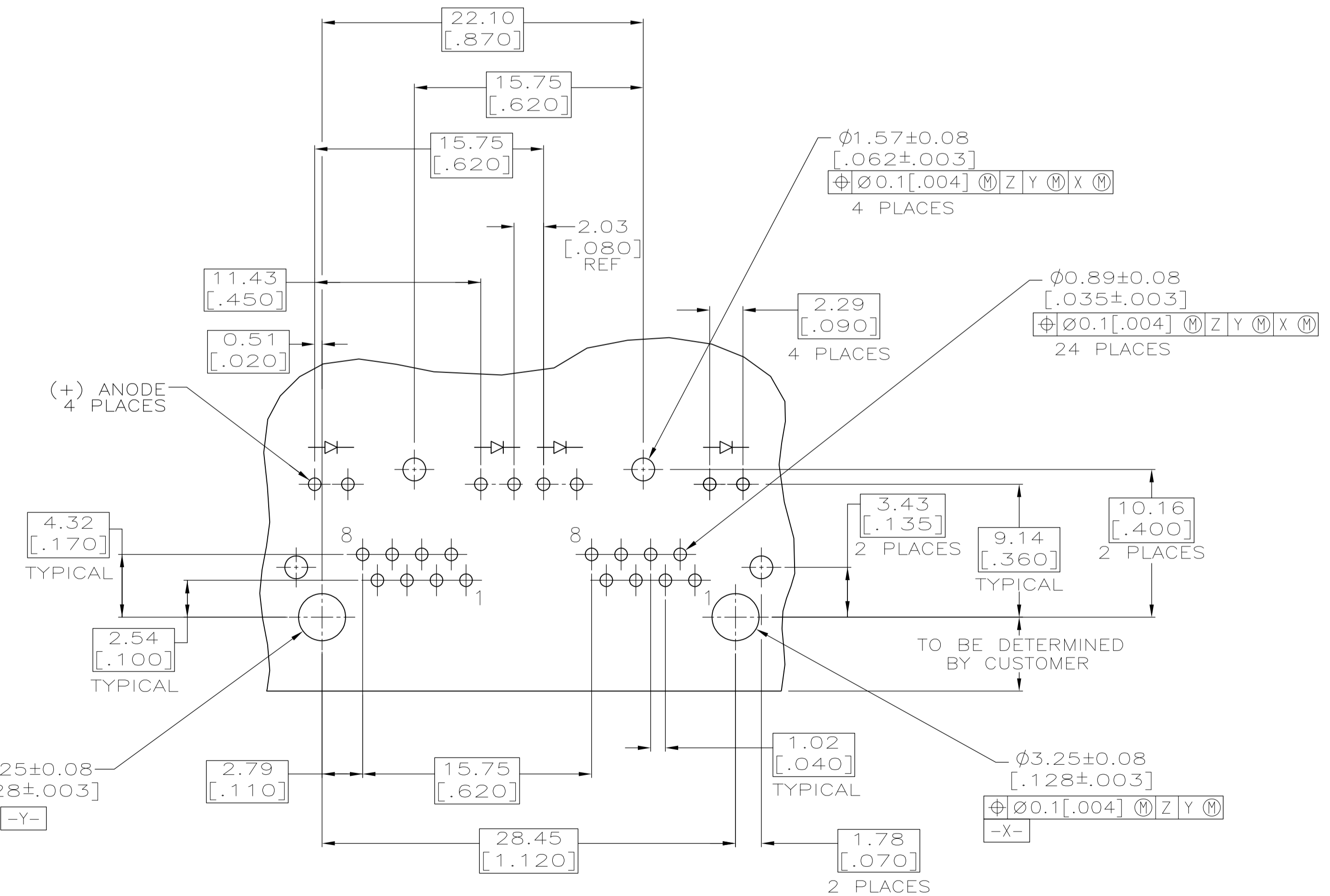
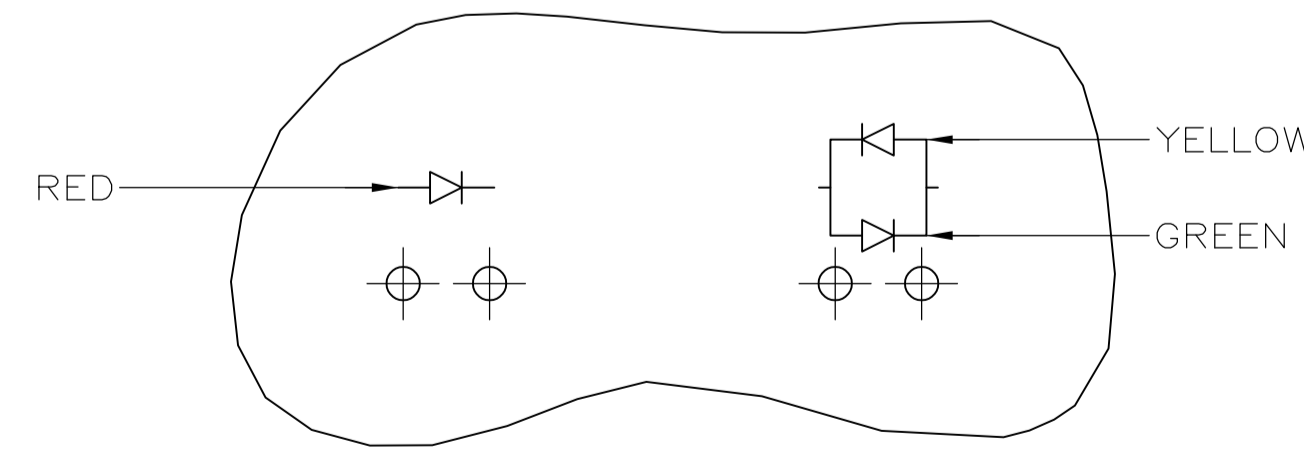
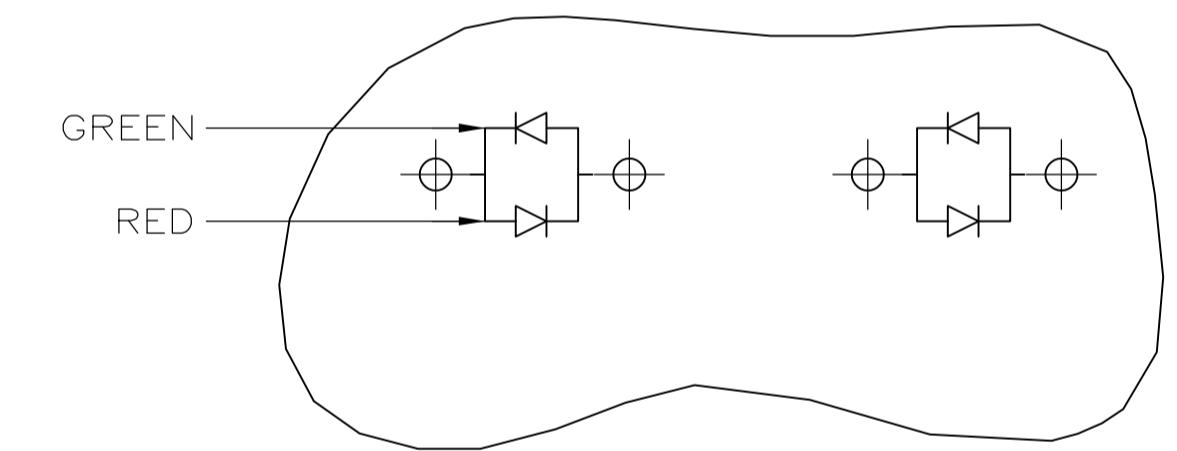
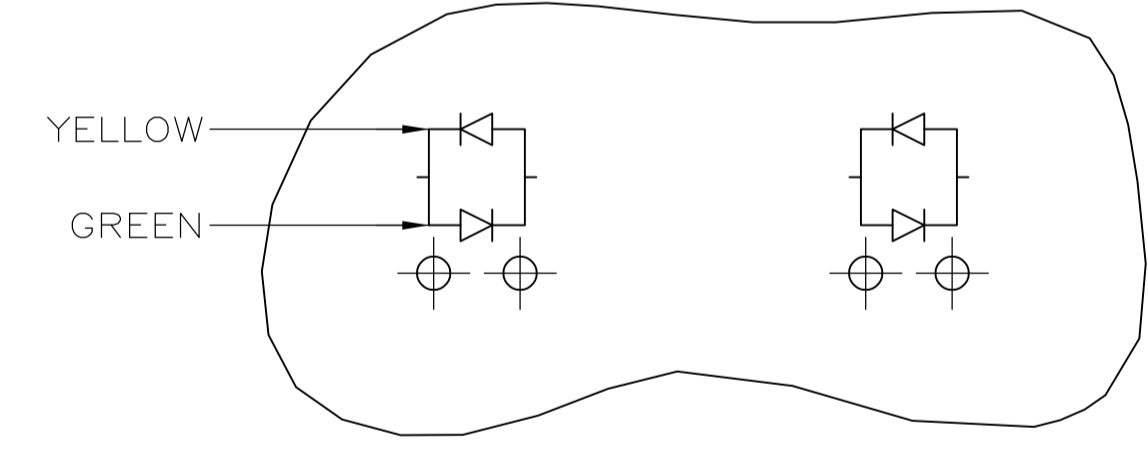
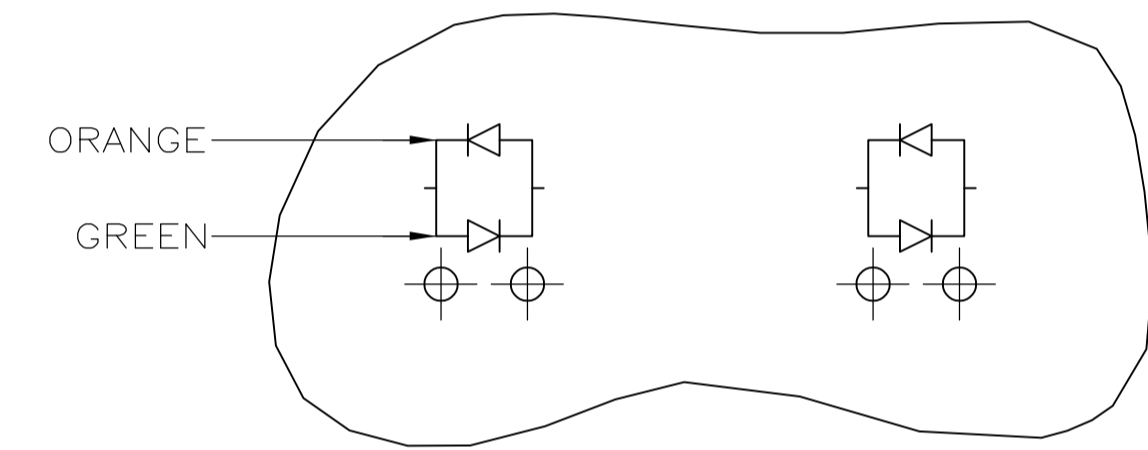


LOC	DIST	REVISIONS					
AA	00	REV	PER	ECO	DATE	DMN	APVD
E	REV PER ECO	13-000217			31DEC2012	DZ	AC



- MATERIAL:  
HOUSING - HIGH TEMPERATURE THERMOPLASTIC, BLACK, UL94V-0.  
TERMINALS - 0.36[.014] THICK PHOS BRONZE PLATED WITH 3.81µm[.000150] MINIMUM THICK MATTE TIN IN SOLDER AREA. 1.27µm [.000050] MINIMUM GOLD IN LOCALIZED PLATE AREA. ENTIRE TERMINAL PLATED WITH 1.27µm [.000050] MINIMUM THICK NICKEL.  
SHIELD - 0.196[.0077] THICK COPPER ZINC ALLOY PREPLATED WITH 1.27µm[.000050] MINIMUM SATIN NICKEL WITH 2.03µm[.000080] MINIMUM TIN POST DIPPED ON PCB GROUND TABS.  
LIGHT EMITTING DIODE (LED) - DIFFUSED EPOXY LENS, 0.51 x 0.51[.020 x .020] CARBON STEEL WIREFRAME LEADS PREPLATED WITH 8.89µm THICK Sn/Cu OVER 2.03µm THICK Ag OVER 1.02µm THICK Cu OVER 3.56µm THICK Ni OVER 1.02µm THICK Cu UNDERPLATE
- JACK CAVITY CONFORMS TO FCC RULES AND REGULATIONS PART 68, SUBPART F.
- SUGGESTED PANEL OPENING DIMENSIONS.
- SUGGESTED CLEARANCE BETWEEN TOP OF CONNECTOR AND TOP PANEL OPENING.
- SEE TABLE FOR COLOR OF LEDES AND NUMBER REQUIRED.
- THIS MODULAR JACK WITH INTEGRATED LED IS NOT IR REFLOW SOLDERING PROCESS COMPATIBLE.
- OBSOLETE PARTS: OBSOLETE CIS STREAMLINING PER D.RENAUD/D.SINISI
- TAPE & REEL PACKAGING, FULLY ESD COMPLIANCE.



SOLDER TAIL LENGTH, DIM A	INDICATOR COLOR FOR EACH HOUSING	PART NUMBER
2.54 [.100]	YELLOW GREEN	3-6116353-2
3.05 [.120]	YELLOW GREEN	3-6116353-1
3.55 [.140]	RED/GREEN RED/GREEN	2-6116353-9
3.05 [.120]	YELLOW/GREEN YELLOW/GREEN	2-6116353-8
3.05 [.120]	GREEN GREEN	2-6116353-4
2.54 [.100]	RED YELLOW/GREEN	2-6116353-3
2.54 [.100]	RED/GREEN RED/GREEN	1-6116353-3
3.55 [.140]	YELLOW GREEN	6116353-9
2.54 [.100]	YELLOW/GREEN YELLOW/GREEN	6116353-8
2.54 [.100]	ORANGE/GREEN ORANGE/GREEN	6116353-7
2.54 [.100]	YELLOW YELLOW	6116353-6
2.54 [.100]	GREEN GREEN	6116353-5
2.54 [.100]	GREEN YELLOW	6116353-4
2.54 [.100]	YELLOW -	6116353-3
2.54 [.100]	- GREEN	6116353-2
2.54 [.100]	YELLOW GREEN	6116353-1

SUGGESTED PRINTED CIRCUIT BOARD LAYOUT (COMPONENT SIDE)

THIS DRAWING IS A CONTROLLED DOCUMENT. **STE** TE Connectivity

DL DRUMMOND/L.A. MAYER  
J. WESTMAN  
S. FLICKINGER

INVERTED MODULAR JACK ASSEMBLY, 1X2, SHIELDED, PANEL GROUND, WITH LEDES

108-1163-4  
114-2154

00779-6116353

CUSTOMER DRAWING SCALE 4:1 SHEET 1 OF 1 REV E

## X-ON Electronics

Largest Supplier of Electrical and Electronic Components

*Click to view similar products for [Terminals](#) category:*

*Click to view products by [TE Connectivity](#) manufacturer:*

Other Similar products are found below :

[HT-13-10](#) [71M-250-32-NB](#) [01-2065-1-0216](#) [00581P0075](#) [M10-10RX](#) [M10BCK](#) [60205-1](#) [604200-1](#) [60598-1-CUT-TAPE](#) [60617-1-C](#) [60873-1](#) [M14-516R/SK](#) [M14-6RSX](#) [M18-10FLX](#) [M18-8FBX](#) [M18-8R/LX](#) [M18BCK](#) [61314-6-C](#) [61-S](#) [61-SN-A](#) [62-NBM-A](#) [63-S](#) [640179-1](#) [640917-2-CUT-TAPE](#) [6501550002](#) [66107-2-C](#) [696683-1](#) [696834-1](#) [696861-1](#) [696931-1](#) [696999-1](#) [M8-516RK](#) [M86700006](#) [MA250DMFMX-A](#) [701-2007](#) [701-2307](#) [701-7761-03](#) [70F-110-32-PB](#) [718-N-A](#) [71M-187-20-NBL](#) [71M-250-32-NBL](#) [72F-187-20-NBL](#) [72M-250-32-NBL](#) [7310](#) [73F-250-32](#) [73F-250-32-NBL](#) [73F-250-32-NL](#) [F14-10C](#) [F-1M](#) [751-250](#)