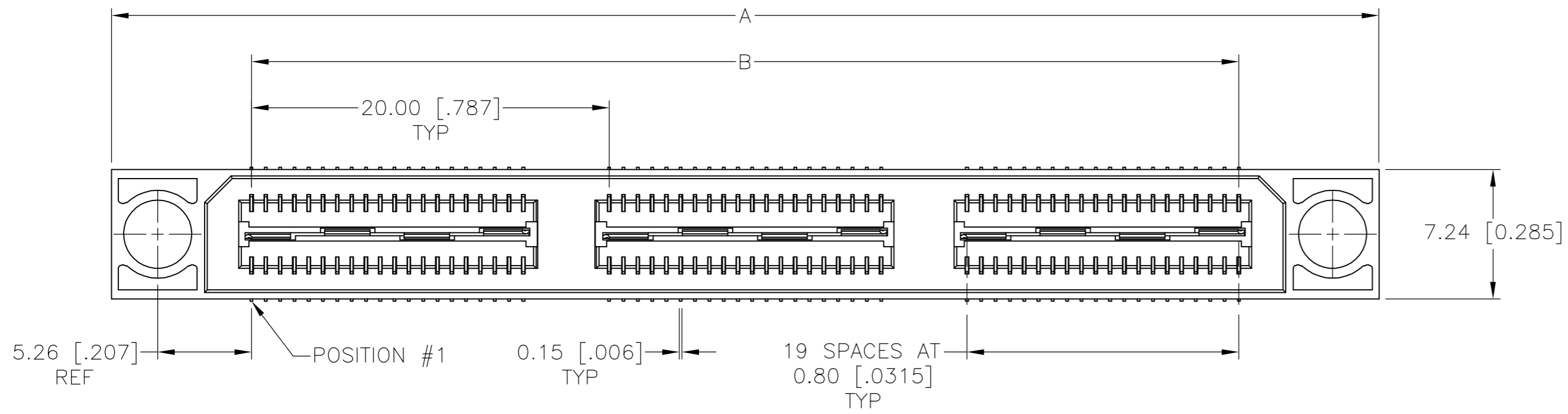
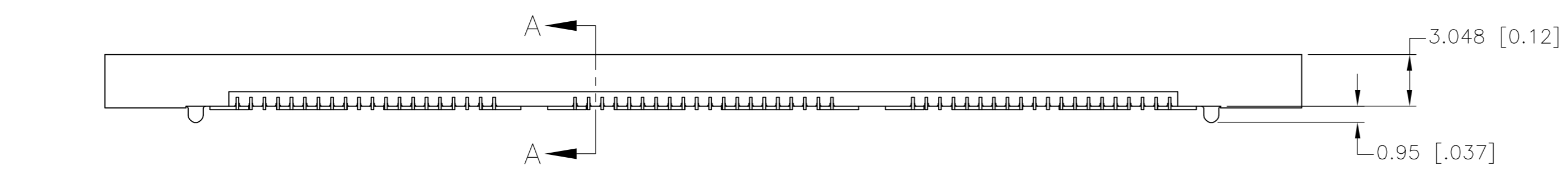


THIS DRAWING IS UNPUBLISHED. RELEASED FOR PUBLICATION  
 © COPYRIGHT BY TYCO ELECTRONICS CORPORATION. ALL RIGHTS RESERVED.

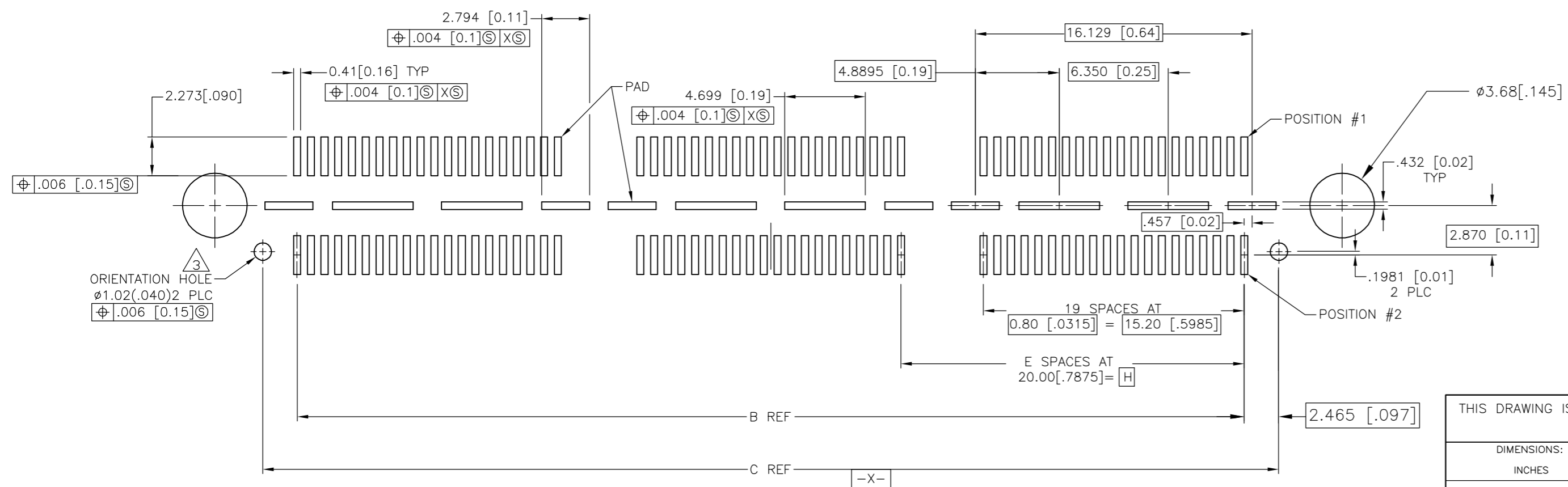
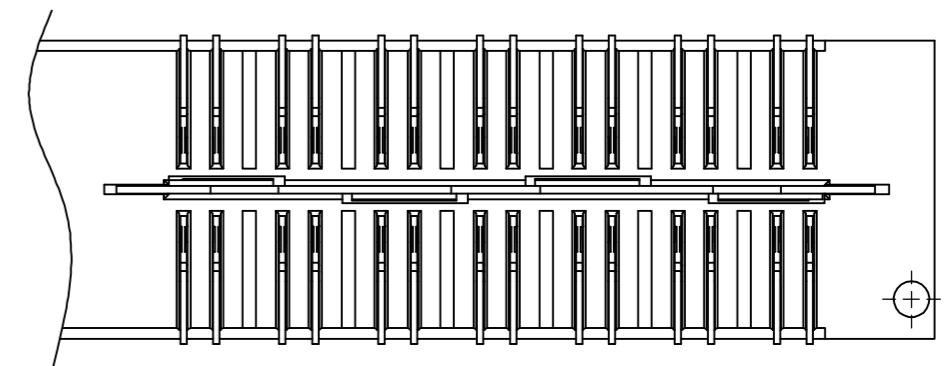
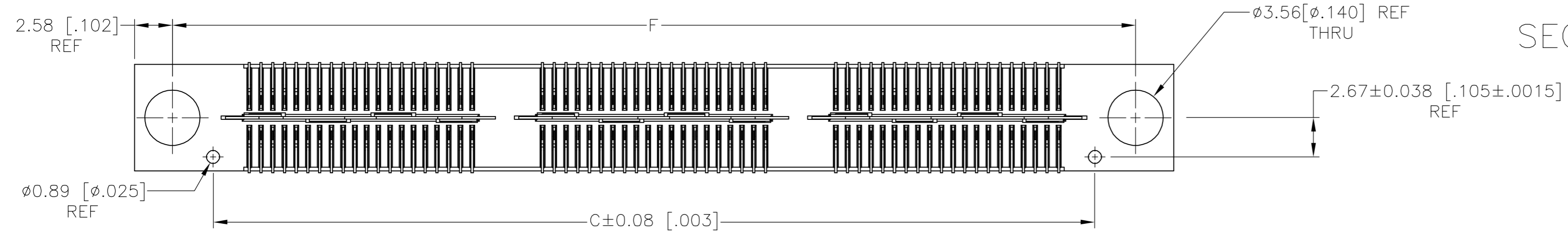
LOC	DIST	REVISIONS			
P	LTR	DESCRIPTION	DATE	DWN	APVD
AD	00				
		K	REV PER EC 0512-0310-05	11OCT05	BC DD



- 1 HOUSING: LCP, BLACK.  
CONTACT & GROUND PLANE: PHOS BRONZE.
- 2 CONTACT PLATING: SELECT 0.25 MICROMETERS (.00010) MIN. GOLD.
- 3 FOR STANDARD APPLICATIONS, ORIENTATION HOLE TO BE  $\phi 1.02 [\phi .040]$ .



SECTION A-A

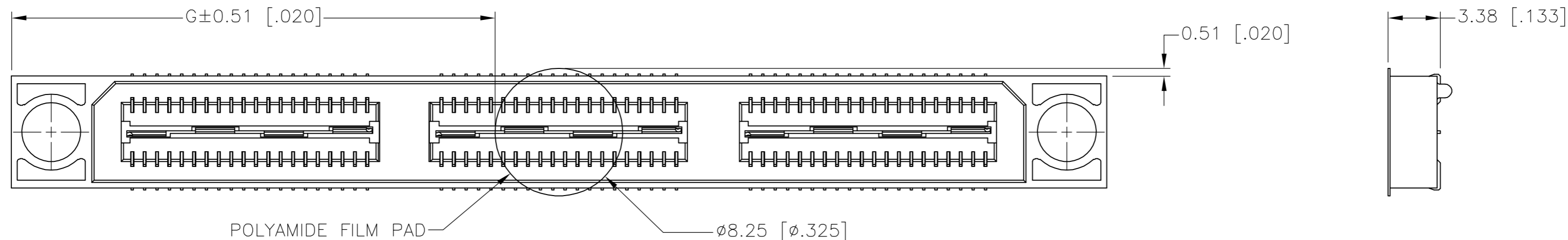


THIS DRAWING IS A CONTROLLED DOCUMENT.		DWN	B.CARBO	03MAR03	<b>tyco</b> Electronics	Tyco Electronics Corporation Harrisburg, PA 17105-3608	
DIMENSIONS: INCHES		CHK	D.DIXON	03MAR03		NAME	
TOLERANCES UNLESS OTHERWISE SPECIFIED:		APVD	D.DIXON	03MAR03	RECEPTACLE ASSEMBLY, VERTICAL, 0.80MM CL, MICTOR SB		
0 PLC ± -		PRODUCT SPEC		SIZE			
1 PLC ± 0.3 [.01]		APPLICATION SPEC		CAGE CODE		DRAWING NO	
2 PLC ± 0.13 [.005]		MATERIAL		00779		A2	
3 PLC ± 0.05 [.0020]		FINISH		C=1658062		RESTRICTED TO	
4 PLC ± -		MATERIAL		SCALE		SHEET	
ANGLES ± 2°		MATERIAL		4:1		1 of 2	
FINISH		MATERIAL		REV		K	
CUSTOMER DRAWING		MATERIAL		REV		K	

1658062

THIS DRAWING IS UNPUBLISHED. RELEASED FOR PUBLICATION  
 © COPYRIGHT BY TYCO ELECTRONICS CORPORATION. ALL RIGHTS RESERVED.

LOC	DIST	REVISIONS			
P	LTR	DESCRIPTION	DATE	DWN	APVD
AD	00	SEE SHEET 1	-	-	-



20.00(.7874)	21.32(.839)	45.72(1.800)	1	0.102(.0040)	40.13(1.580)	35.20(1.386)	50.90(2.004)	YES	POCKET TAPE	YES	56	7-1658062-2
0(.000)	11.32(.446)	25.72(1.013)	0	0.102(.0040)	20.13(.793)	15.20(.598)	30.90(1.217)	YES	POCKET TAPE	YES	28	7-1658062-1
20.00(.7874)	21.32(.839)	45.72(1.800)	1	0.102(.0040)	40.13(1.580)	35.20(1.386)	50.90(2.004)	YES	POCKET TAPE	NO	80	6-1658062-2
0(.000)	11.32(.446)	25.72(1.013)	0	0.102(.0040)	20.13(.793)	15.20(.598)	30.90(1.217)	YES	POCKET TAPE	NO	40	6-1658062-1
20.00(.7874)	-	45.72(1.800)	1	0.102(.0040)	40.13(1.580)	35.20(1.386)	50.90(2.004)	NO	POCKET TAPE	YES	56	5-1658062-2
0(.000)	-	25.72(1.013)	0	0.102(.0040)	20.13(.793)	15.20(.598)	30.90(1.217)	NO	POCKET TAPE	YES	28	5-1658062-1
20.00(.7874)	-	45.72(1.800)	1	0.102(.0040)	40.13(1.580)	35.20(1.386)	50.90(2.004)	NO	POCKET TAPE	NO	80	4-1658062-2
0(.000)	-	25.72(1.013)	0	0.102(.0040)	20.13(.793)	15.20(.598)	30.90(1.217)	NO	POCKET TAPE	NO	40	4-1658062-1
80.00(3.150)	51.32(2.020)	105.72(4.162)	4	0.152(.0060)	100.14(3.943)	95.20(3.748)	110.91(4.367)	YES	TRAY	YES	140	3-1658062-5
60.00(2.362)	41.32(1.627)	85.72(3.375)	3	0.152(.0060)	80.14(3.155)	75.20(2.961)	90.91(3.579)	YES	TRAY	YES	112	3-1658062-4
40.00(1.575)	31.32(1.233)	65.72(2.587)	2	0.152(.0060)	60.13(2.368)	55.20(2.173)	70.90(2.791)	YES	TRAY	YES	84	3-1658062-3
20.00(.7874)	21.32(.839)	45.72(1.800)	1	0.102(.0040)	40.13(1.580)	35.20(1.386)	50.90(2.004)	YES	TRAY	YES	56	3-1658062-2
0(.000)	11.32(.446)	25.72(1.013)	0	0.102(.0040)	20.13(.793)	15.20(.598)	30.90(1.217)	YES	TRAY	YES	28	3-1658062-1
80.00(3.150)	51.32(2.020)	105.72(4.162)	4	0.152(.0060)	100.14(3.943)	95.20(3.748)	110.91(4.367)	YES	TRAY	NO	200	2-1658062-5
60.00(2.362)	41.32(1.627)	85.72(3.375)	3	0.152(.0060)	80.14(3.155)	75.20(2.961)	90.91(3.579)	YES	TRAY	NO	160	2-1658062-4
40.00(1.575)	31.32(1.233)	65.72(2.587)	2	0.152(.0060)	60.13(2.368)	55.20(2.173)	70.90(2.791)	YES	TRAY	NO	120	2-1658062-3
20.00(.7874)	21.32(.839)	45.72(1.800)	1	0.102(.0040)	40.13(1.580)	35.20(1.386)	50.90(2.004)	YES	TRAY	NO	80	2-1658062-2
0(.000)	11.32(.446)	25.72(1.013)	0	0.102(.0040)	20.13(.793)	15.20(.598)	30.90(1.217)	YES	TRAY	NO	40	2-1658062-1
80.00(3.150)	-	105.72(4.162)	4	0.152(.0060)	100.14(3.943)	95.20(3.748)	110.91(4.367)	NO	TRAY	YES	140	1-1658062-5
60.00(2.362)	-	85.72(3.375)	3	0.152(.0060)	80.14(3.155)	75.20(2.961)	90.91(3.579)	NO	TRAY	YES	112	1-1658062-4
40.00(1.575)	-	65.72(2.587)	2	0.152(.0060)	60.13(2.368)	55.20(2.173)	70.90(2.791)	NO	TRAY	YES	84	1-1658062-3
20.00(.7874)	-	45.72(1.800)	1	0.102(.0040)	40.13(1.580)	35.20(1.386)	50.90(2.004)	NO	TRAY	YES	56	1-1658062-2
0(.000)	-	25.72(1.013)	0	0.102(.0040)	20.13(.793)	15.20(.598)	30.90(1.217)	NO	TRAY	YES	28	1-1658062-1
80.00(3.150)	-	105.72(4.162)	4	0.152(.0060)	100.14(3.943)	95.20(3.748)	110.91(4.367)	NO	TRAY	NO	200	1658062-5
60.00(2.362)	-	85.72(3.375)	3	0.152(.0060)	80.14(3.155)	75.20(2.961)	90.91(3.579)	NO	TRAY	NO	160	1658062-4
40.00(1.575)	-	65.72(2.587)	2	0.152(.0060)	60.13(2.368)	55.20(2.173)	70.90(2.791)	NO	TRAY	NO	120	1658062-3
20.00(.7874)	-	45.72(1.800)	1	0.102(.0040)	40.13(1.580)	35.20(1.386)	50.90(2.004)	NO	TRAY	NO	80	1658062-2
0(.000)	-	25.72(1.013)	0	0.102(.0040)	20.13(.793)	15.20(.598)	30.90(1.217)	NO	TRAY	NO	40	1658062-1
H	G	F	E	D	C	B	A	POLYIMIDE FILM PAD ▲	PACKAGING TYPE	DIFF. PAIR	NO OF POS	PART NUMBER

THIS DRAWING IS A CONTROLLED DOCUMENT.

DWN B.CARBO 03MAR03  
 CHK D.DIXON 03MAR03  
 APVD D.DIXON 03MAR03  
 PRODUCT SPEC  
 APPLICATION SPEC

**tyco Electronics** Tyco Electronics Corporation  
 Harrisburg, PA 17105-3608

NAME RECEPTACLE ASSEMBLY, VERTICAL,  
 0.80MM CL,  
 MICTOR SB

SIZE A2 CAGE CODE 00779 DRAWING NO C=1658062 RESTRICTED TO -

MATERIAL SEE SHEET 1 FINISH SEE SHEET 1 WEIGHT - SCALE 4:1 SHEET 2 OF 2 REV K

CUSTOMER DRAWING

## X-ON Electronics

Largest Supplier of Electrical and Electronic Components

*Click to view similar products for [Board to Board & Mezzanine Connectors](#) category:*

*Click to view products by [TE Connectivity](#) manufacturer:*

Other Similar products are found below :

[10135583-642402LF](#) [89885-310LF](#) [589158040000018](#) [6-1393048-0](#) [68683-613](#) [MDF7-12DP-2.54DSA](#) [MDF7-18P-2.54DSA\(01\)](#) [MDF7-20DP-2.54DSA](#) [MDF7-26D-2.54DSA\(55\)](#) [MDF7-3P-2.54DSA\(01\)](#) [MDF7B-3P-2.54DSA\(55\)](#) [MDF7C-11P-2.54DSA\(55\)](#) [MDF7C-18P-2.54DSA\(55\)](#) [MDF7C-5P-2.54DSA\(01\)](#) [MDF7P-5P-2.54DSA\(55\)](#) [75234-0516](#) [FCN-230C068-11](#) [FCN-268F012-G/BD](#) [FCN-268F036-G/BD](#) [FCN-268M012-G/0D](#) [FCN-268M024-G/1D](#) [FCN-360C008-C](#) [FCN-360C040-C](#) [FCN-723J004/1](#) [MIS-048-01-F-D-DP-K](#) [832-10-034-10-001000](#) [93696-325LF](#) [11828-1FA](#) [AXK630345P](#) [18097-0013](#) [ICA-328STT](#) [2007042-2](#) [304400-2](#) [FCN-214Q030-G/0](#) [FCN-215Q040-G/0](#) [FCN-230C068-ESA](#) [FCN-234P048-G/0](#) [FCN-235D050-G/C](#) [FCN-360A3](#) [FCN-360C040-B](#) [210-93-314-41-105000](#) [2-22603-0](#) [379-064-521-202](#) [MDF7-12P-2.54DSA\(01\)](#) [MDF7-16P-2.54DS\(56\)](#) [MDF7-40DP-2.54DSA\(55\)](#) [MDF7-8P-2.54DSA\(55\)](#) [MDF7B-16P-2.54DSA\(55\)](#) [AXG720047](#) [5031084030](#)