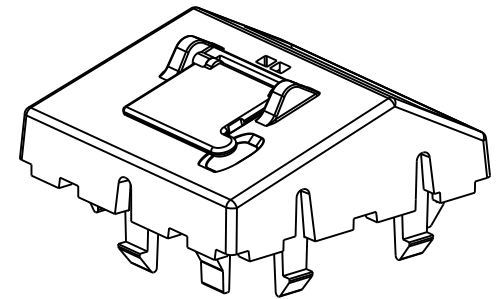
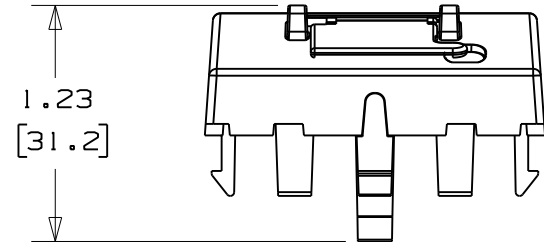
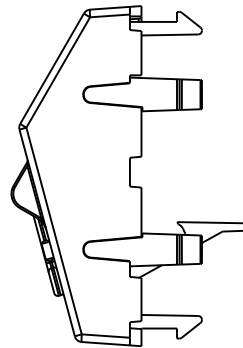
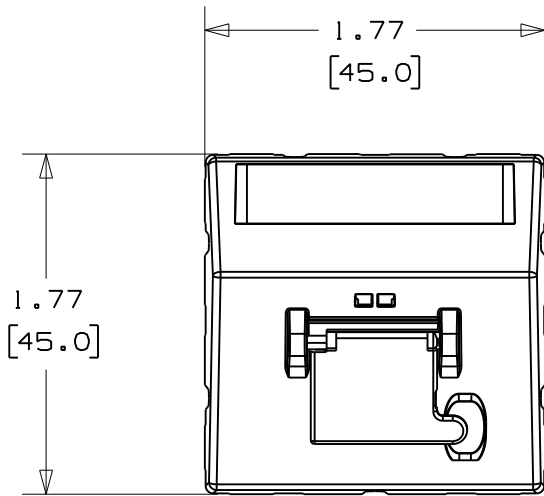



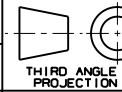
THIS COPY IS PROVIDED ON A RESTRICTED BASIS AND IS NOT TO BE USED IN ANY WAY DETRIMENTAL TO THE INTERESTS OF PANDUIT CORP.



PANDUIT P/N	WEIGHT
CFPFLS1S**	.19LB /10 PCS (87.1g /10 PCS)

NOTES:

1. SEE CURRENT CATALOG FOR ADDITIONAL PART NUMBER SUFFIXES TO INDICATE COLOR AND/OR PACKAGE QUANTITY.
2. SEE CATALOG FOR COMPLETE LIST OF PARTS APPLICABLE FOR USE WITH THIS PART.
3. DIMENSIONS IN ( ) ARE IN METRIC.
4. PART INCLUDES:  
1- LABEL  
1- LABEL COVER

MODEL FILENAME	M02615AB/03	SIZE	A
DRAWING FILENAME	M02615AB_DC/03A		
MINI-COM 1 POSITION 45 X 45mm SLOPED SHUTTERED FRENCH ADAPTER WITH LABEL AND ICON SLOTS CUSTOMER DRAWING			
 <b>PANDUIT</b> ™ CORP. TINLEY PARK, ILL 60477	I.I. NUMBER	N/A	
	PRODUCT SPEC/ PKG SPEC	N/A	
 THIRD ANGLE PROJECTION	ASSY METHOD/ TEST METHOD	N/A	
	SCALE	NONE	
DRAWN BY JsP	MATERIAL  ABS	PART NO.	CFPFLS1S**
DATE 4-30-07		DRAWING NO.	02615-06
CHK'D TCK			

REV	DATE	BY	CHK	DESCRIPTION	ECN	R	CUST	SUP	OTH
I	7-16-07	JsP	TCK	A. REVISED ADAPTER, ADDED SMALL SLOT RELIEFS ON BOTTOM OF PART	02615-06	TCK	TCK		TCK
R	4-30-07	JsP	TCK	RELEASED TO PRODUCTION	02615-06	TCK	TCK		TCK

## X-ON Electronics

Largest Supplier of Electrical and Electronic Components

*Click to view similar products for [Wire Ducting](#) category:*

*Click to view products by [Panduit](#) manufacturer:*

Other Similar products are found below :

[66200A-10](#) [CVED32VEPG](#) [CVED40VEPG](#) [F512D5-5F140Y](#) [F512D5-5F200Y](#) [F512D5-5F26Y](#) [F512D5-5F30Y](#) [F512D5-5F33Y](#) [F512D5-5F34Y](#) [F512D5-5F45Y](#) [F512D5-5F50Y](#) [F512D5-5F54Y](#) [F512D5-5F66Y](#) [F512D5-5F70Y](#) [F512D5-5F75Y](#) [F512D5-5F90Y](#) [F612D5-5F100Y](#) [F612D5-5F130Y](#) [F612D5-5F50Y](#) [F612D5-5F56Y](#) [F612D5-5F58Y](#) [F6L12D5-5F46](#) [F912D5-5F11Y](#) [F912D5-5F170Y](#) [F912D5-5F175Y](#) [F912D5-5F230Y](#) [F912D5-5F300Y](#) [F912D5-5F55Y](#) [F912D5-5F56Y](#) [F912D5-5F63Y](#) [F912D5-5F6Y](#) [F912D5-5F75Y](#) [F912D5-5F85Y](#) [F912D5-5F86Y](#) [F912D5-5F88Y](#) [F912D5-5F96Y](#) [FAP0047WBLMTP](#) [FAP12WBRDRDDLZ](#) [FAP12WDYLYLDLZ](#) [FAP12WEORORDLZ](#) [FAP6WEORORDLZ](#) [FAP6WFDBDBDLZ](#) [FAP8WEORORDLZ](#) [FCE2UWCL](#) [800A-LB](#) [802A-ECSP](#) [802I-ICSP](#) [FJQADH](#) [FJQFXT](#) [PED10](#)