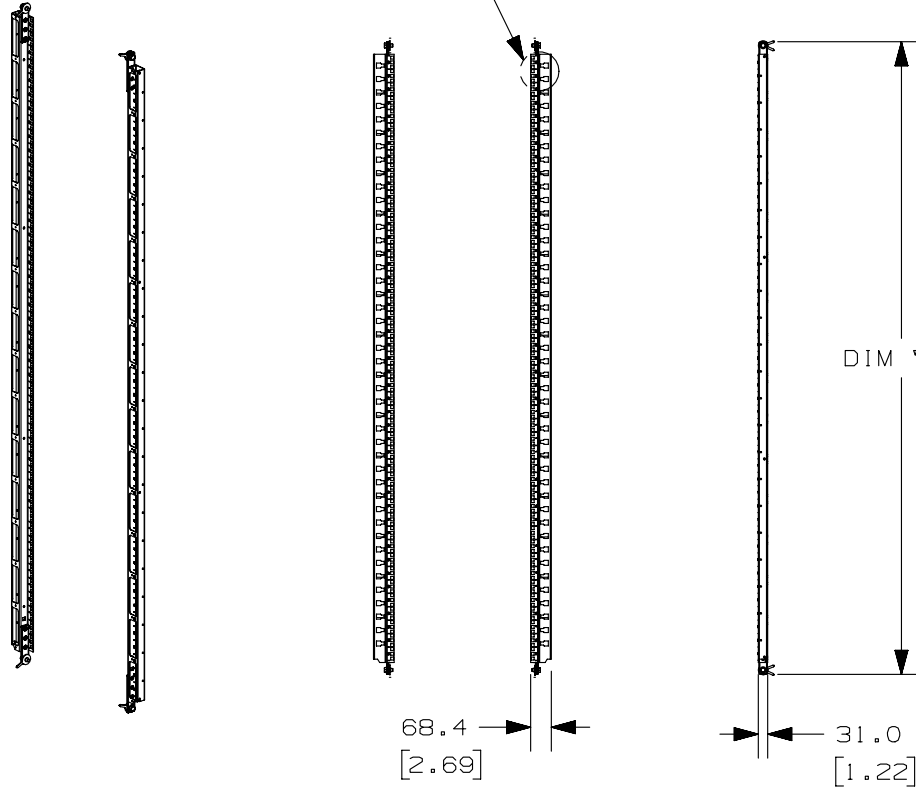


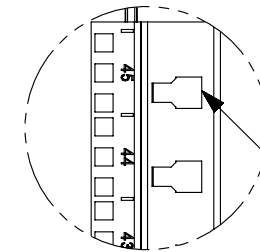
THIS COPY IS PROVIDED ON A RESTRICTED BASIS AND IS NOT TO BE USED IN ANY WAY DETRIMENTAL TO THE INTERESTS OF PANDUIT CORP.

SEE DETAIL A



1. VISIT OUR ON-LINE CATALOG AT WWW.PANDUIT.COM FOR A LIST OF CURRENT PARTS APPLICABLE FOR USE WITH THIS PRODUCT.
2. PARTS SUPPLIED:
 - 1- SET CAGE NUT EQUIPMENT RAILS
 - 1- HARDWARE KIT
 - 1- INSTRUCTION SHEET
3. PRIMARY DIMENSIONS ARE IN MILLIMETERS.

PART NO.	DESCRIPTION	DIM "A"	"HH"	WEIGHT
SN2RC	N-TYPE AND S-TYPE CABINET 42RU CAGE NUT EQUIPMENT RAIL	1879.3 [73.99]	42	15.86 Kg/EACH [35.0 LBS/EACH]
SN5RC	N-TYPE AND S-TYPE CABINET 45RU CAGE NUT EQUIPMENT RAIL	2012.6 [79.24]	45	16.78 Kg/EACH [37.0 LBS/EACH]
SN8RC	N-TYPE AND S-TYPE CABINET 48RU CAGE NUT EQUIPMENT RAIL	2146.0 [84.49]	48	17.69 Kg/EACH [39.0 LBS/EACH]
SN1RC	N-TYPE AND S-TYPE CABINET 51RU CAGE NUT EQUIPMENT RAIL	2279.3 [89.74]	51	18.60 Kg/EACH [41.0 LBS/EACH]



COMPATIBLE WITH SN15F AND SN25F CABLE MANAGEMENT FINGERS

DETAIL A
SCALE 1 : 4

REV	DATE	BY	CHK	APR	DESCRIPTION	ECN
00A	2-04-15	PBS			RELEASED TO PRODUCTION	V09000DJ

TITLE SN*RC NET-ACCESS N-TYPE AND S-TYPE CABINET FAMILY CAGE NUT EQUIPMENT RAILS CUSTOMER DRAWING		PANDUIT
ITEM REVISION NAME 13V398ZY/00.PRT		
DATASET FILE NAME 13V398ZY_DC/00A.PRT		
MATERIAL: N/A		DRAWING NUMBER: 13V398ZY-DC
THIRD ANGLE PROJECTION		SIZE A
DRAWN BY PBS	DATE 2-04-15	CHK SCALE NONE
SHT 1 OF 1		

X-ON Electronics

Largest Supplier of Electrical and Electronic Components

Click to view similar products for [Racks & Rack Cabinet Accessories](#) category:

Click to view products by [Panduit](#) manufacturer:

Other Similar products are found below :

[CR-1727](#) [M00-PLN](#) [F2420](#) [F2424](#) [8310-1032-SS](#) [9104](#) [PLFF2000](#) [PLFF6000](#) [GP216](#) [PTFA60000LG](#) [H-9163-B](#) [AC220-84-1](#) [HEH050BA](#)
[1427C3](#) [BAS-5104](#) [N-700-2](#) [190-002](#) [HTL10](#) [HTS10](#) [PC-118](#) [PC-780L](#) [PC-79](#) [PC-800](#) [SC4-28](#) [F3024](#) [AKWAMT](#) [PLFF1000](#) [GRPB12PG](#)
[CG3-340S/12](#) [2CWDP36](#) [2CWDP48](#) [2SSHINGE](#) [CP-001BK](#) [CPL19431LG1](#) [R570-004-107](#) [M6123-4007-SS](#) [TS170](#) [531300535](#) [BRX-](#)
[12290](#) [C4BD3077SBK1](#) [UPS 7-17-14 PLAIN](#) [LP40](#) [5261304-07](#) [CCA26-44-01](#) [706-102](#) [CG3-160G](#) [7112C-PLN ALUM](#) [CM10](#) [TS81](#) [7142](#)