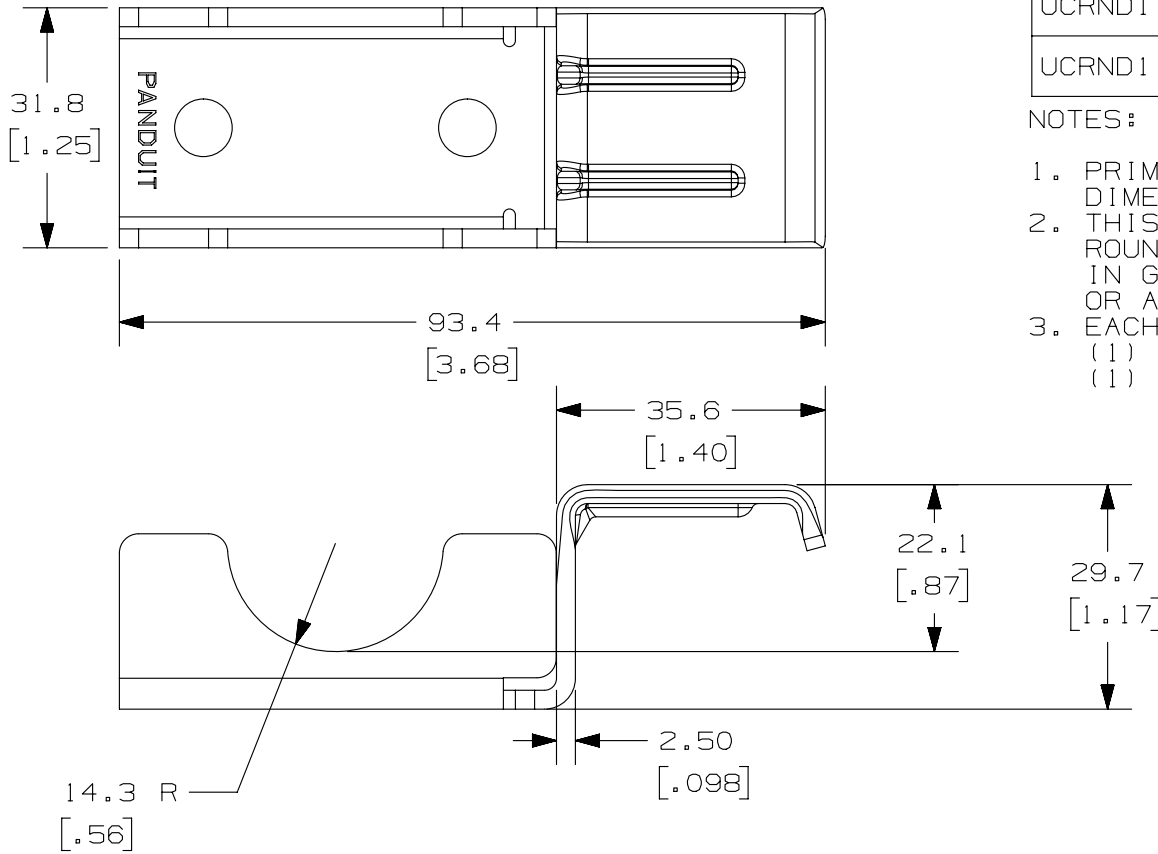


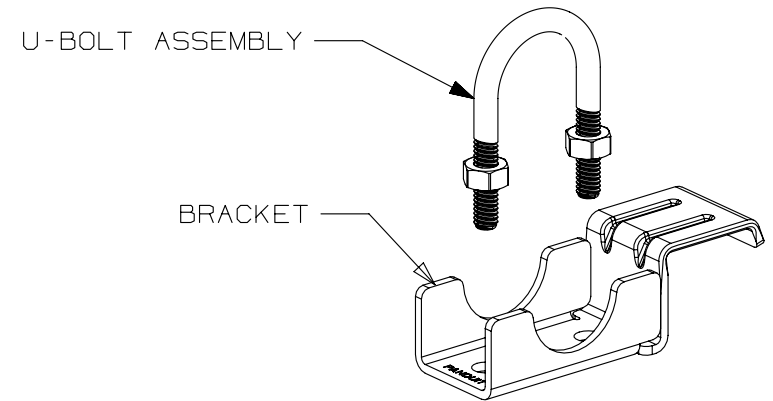
THIS COPY IS PROVIDED ON A RESTRICTED BASIS AND IS NOT TO BE USED IN ANY WAY DETRIMENTAL TO THE INTERESTS OF PANDUIT CORP.




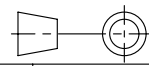
PANDUIT P/N	MATERIAL	WEIGHT / PC
UCRND1-V316	316 STAINLESS STEEL	119.9 g (.264 lbs)
UCRND1-VC	COMMERCIAL STEEL / GALVANIZED	122.2 g (.269 lbs)

NOTES:

1. PRIMARY DIMENSIONS IN METRIC (mm). DIMENSIONS IN [ ] ARE ENGLISH [in].
2. THIS PRODUCT INTENDED FOR USE WITH ROUND TYPE LADDER RACK (1-INCH DIA.) IN GALVANIZED STEEL, STAINLESS STEEL, OR ALUMINUM CONSTRUCTIONS.
3. EACH ASSEMBLY INCLUDES:  
(1) BRACKET  
(1) U-BOLT ASSEMBLY COMPRISED OF M6 X 1 THREADS AND (2) M6 X 1 HEX NUTS



REV	DATE	BY	CHK	APR	DESCRIPTION	ECN
-	-----	----	----	----	RELEASED TO PRODUCTION	-----
1	06-26-14	RMHI	RMHI	RGRO	B. UPDATED WEIGHTS IN TABLE A. REVISED TITLE	12L025AV-DC
R	04-30-14	JBN	RMHI		DRAWING RELEASED	

TITLE	
 <b>UNICLIP ROUND RUNG BRACKET</b> <b>UCRND1</b> CUSTOMER DRAWING	
ITEM REVISION NAME	12L025AV/03
DATASET FILE NAME	12L025AV_DC/03B
UNLESS OTHERWISE SPECIFIED, DIMENSIONAL TOLERANCES ARE: IN [mm]	
.x ± .3 [ .01 ]	.xxx ± .127 [ .005 ]
.xx ± .25 [ .010 ]	ANGLES ± 5 °
 THIRD ANGLE PROJECTION	
DRAWING NUMBER: <b>12L025AV-DC</b>	
DRAWN BY	DATE
JBN	04-30-14
CHK	SCALE
RMHI	N.T.S.
SHT 1 OF 1	
SIZE A	

## X-ON Electronics

Largest Supplier of Electrical and Electronic Components

*Click to view similar products for [Wire Ducting](#) category:*

*Click to view products by [Panduit](#) manufacturer:*

Other Similar products are found below :

[66200A-10](#) [CVED32VEPG](#) [CVED40VEPG](#) [F512D5-5F140Y](#) [F512D5-5F200Y](#) [F512D5-5F26Y](#) [F512D5-5F30Y](#) [F512D5-5F33Y](#) [F512D5-5F34Y](#) [F512D5-5F45Y](#) [F512D5-5F50Y](#) [F512D5-5F54Y](#) [F512D5-5F66Y](#) [F512D5-5F70Y](#) [F512D5-5F75Y](#) [F512D5-5F90Y](#) [F612D5-5F100Y](#) [F612D5-5F130Y](#) [F612D5-5F50Y](#) [F612D5-5F56Y](#) [F612D5-5F58Y](#) [F6L12D5-5F46](#) [F912D5-5F11Y](#) [F912D5-5F170Y](#) [F912D5-5F175Y](#) [F912D5-5F230Y](#) [F912D5-5F300Y](#) [F912D5-5F55Y](#) [F912D5-5F56Y](#) [F912D5-5F63Y](#) [F912D5-5F6Y](#) [F912D5-5F75Y](#) [F912D5-5F85Y](#) [F912D5-5F86Y](#) [F912D5-5F88Y](#) [F912D5-5F96Y](#) [FAP0047WBLMTP](#) [FAP12WBRDRDDLZ](#) [FAP12WDYLYLDLZ](#) [FAP12WEORORDLZ](#) [FAP6WEORORDLZ](#) [FAP6WFDBDBDLZ](#) [FAP8WEORORDLZ](#) [FCE2UWCL](#) [800A-LB](#) [802A-ECSP](#) [802I-ICSP](#) [FJQADH](#) [FJQFXT](#) [PED10](#)