

THIS DRAWING IS UNPUBLISHED.

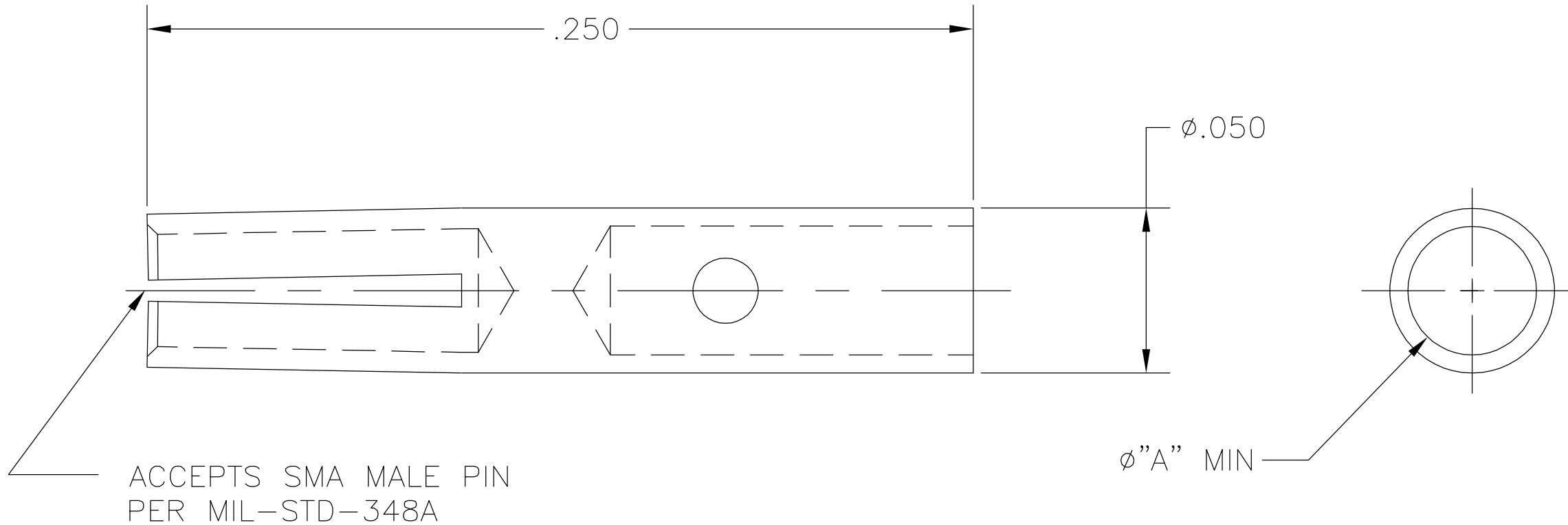
RELEASED FOR PUBLICATION

© COPYRIGHT - BY TYCO ELECTRONICS CORPORATION. ALL RIGHTS RESERVED.

LOC HC DIST 00

REVISIONS

P	LTR	DESCRIPTION	DATE	DWN	APVD
0		RELEASE	11/4/03	-	DCam



NOTES:

- MATERIAL: BERYLLIUM COPPER PER ASTM-B-196 OR ASTM-B-197, ALLOY C17300, COND H
- GOLD PLATE PER MIL-G-45204 OVER COPPER PLATE PER MIL-C-14550
- GOLD PLATE PER MIL-G-45204 OVER NICKEL PLATE PER QQ-N-290

\triangle 3	.021	1405784-7
\triangle 3	.037	1405784-4
\triangle 2	.037	1405784-1
FINISH	ϕ "A" MIN	PART NO

THIS DRAWING IS A CONTROLLED DOCUMENT.		DWN DCam 04NOV2003	tyco Tyco Electronics Corporation													
DIMENSIONS: INCHES		CHK -	Norwood, MA 02062													
TOLERANCES UNLESS OTHERWISE SPECIFIED:		APVD DCam 11/4/03	NAME SMA FEMALE CONTACT													
<table border="1"> <tr><td>0 PLC</td><td>\pm -</td></tr> <tr><td>1 PLC</td><td>\pm -</td></tr> <tr><td>2 PLC</td><td>\pm -</td></tr> <tr><td>3 PLC</td><td>\pm .005</td></tr> <tr><td>4 PLC</td><td>\pm -</td></tr> <tr><td>ANGLES</td><td>\pm 1</td></tr> </table>		0 PLC	\pm -	1 PLC	\pm -	2 PLC	\pm -	3 PLC	\pm .005	4 PLC	\pm -	ANGLES	\pm 1	PRODUCT SPEC -	RESTRICTED TO -	
0 PLC	\pm -															
1 PLC	\pm -															
2 PLC	\pm -															
3 PLC	\pm .005															
4 PLC	\pm -															
ANGLES	\pm 1															
MATERIAL -		APPLICATION SPEC -	SIZE A3	CAGE CODE 00779												
FINISH -		WEIGHT -	DRAWING NO C-1405784													
CUSTOMER DRAWING			SCALE 25:1	SHEET 1 OF 1												
			REV 0													

X-ON Electronics

Largest Supplier of Electrical and Electronic Components

Click to view similar products for [RF Connectors](#) / [Coaxial Connectors](#) category:

Click to view products by [TE Connectivity](#) manufacturer:

Other Similar products are found below :

[R125315120](#) [8915-1511-000](#) [89674-0827](#) [5916-1103-603](#) [0106-001-000](#) [6-0001-3](#) [6001-7071-019](#) [6002-7051-003](#) [6002-7551-202](#) [6059674-1](#) [619550-1](#) [630059-000](#) [M39012/25-0021](#) [M39012/79-3008](#) [M39030/3-01N](#) [M39030/3-03N](#) [M3933/25-29N](#) [M3933/25-36N](#) [6500-7071-046](#) [6501-1071-002](#) [M83723/72W24576](#) [M83723/72W2457N](#) [6769](#) [CX050L2AQ](#) [7002-1541-010](#) [7003-1572-002](#) [7004-1512-000](#) [7009-1511-004](#) [7010-1511-000](#) [7029-1511-060](#) [7101-1541-010](#) [7101-1571-002](#) [7105-1521-002](#) [7145-1521-002](#) [7209-1511-011](#) [7210-1511-012](#) [7210-1511-015](#) [7210-1511-019](#) [7210-1511-040](#) [7225-1512-050](#) [7242-1511-000](#) [73137-5015](#) [73216-2241](#) [73251-0111](#) [73251-0672](#) [73276-1501](#) [73366-0013](#) [73404-2300](#) [73413-6080](#) [734151610](#)