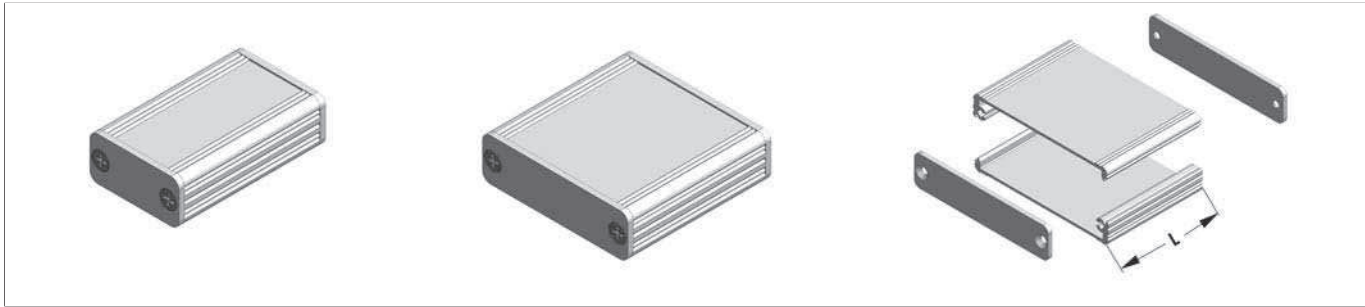


A

## Miniature aluminium casing also for D-Sub

B

C



D

- casing tubes made of aluminium sections which are slotted into each other and screwed together
- the tubes form a guide groove in the centre for application of a printed circuit board or installation plate with a thickness of 1.8 mm, lateral in the profile until 1.6 mm
- while using the corresponding case D-Sub connectors can be mounted without front panel
- supplied as kit incl. 2 mm cover plates and mounting material
- cutouts, special lengths and surface treatments upon request

E

F

<p>GB 57 D-Sub 9-pin → f.con "I"</p>	<p>GB 57/ GB 58</p>	<p>GB 58</p>
<p>art. no. <b>AKG 33 16 ...</b></p>	<p>art. no. <b>AKG 33 20 ...</b></p>	<p>art. no. <b>AKG 33 24 ...</b></p>
<p>GB 59</p>	<p>GB 59/ GB 60</p>	<p>GB 60</p>
<p>art. no. <b>AKG 41 16 ...</b></p>	<p>art. no. <b>AKG 41 20 ...</b></p>	<p>art. no. <b>AKG 41 24 ...</b></p>
<p>GB 39 D-Sub 25-pin → f.con "I"</p>	<p>GB 39/46</p>	<p>GB 46</p>
<p>art. no. <b>AKG 55 16 ...</b></p>	<p>art. no. <b>AKG 55 20 ...</b></p>	<p>art. no. <b>AKG 55 24 ...</b></p>
<p>please indicate:      ... lengths 50 80 100 mm      ... surface SA = black anodised ME = clear anodised</p>		

profiles in meter lengths 1000 mm → M 30

M

N

### M 25

Cooling case  
Case with cooling fins  
Design case Chac  
Design case Frame

→ M 31 - 34  
→ M 34  
→ M 38  
→ M 39

Tube cases  
Fixing material  
IP-seals  
EMC-seals

→ M 21  
→ N 65  
→ M 45  
→ M 43 - 45

## Miniature aluminium casing also for D-Sub

art. no. <b>AKG 55 28 ...</b>	art. no. <b>AKG 55 32 ...</b>	
art. no. <b>AKG 55 20 L ...</b>	art. no. <b>AKG 55 24 L ...</b>	art. no. <b>AKG 55 28 L ...</b>
	 D-Sub 50-pin → f.con "I"	
art. no. <b>AKG 69 16 ...</b>	art. no. <b>AKG 69 20 ...</b>	art. no. <b>AKG 69 24 ...</b>
 D-Sub 37-pin → f.con "I"		
art. no. <b>AKG 71 16 ...</b>	art. no. <b>AKG 71 20 ...</b>	art. no. <b>AKG 71 24 ...</b>
please indicate: ... lengths 50 80 100 mm		... surface SA = black anodised ME = clear anodised

profiles in meter lengths 1000 mm → M 30

Tilt foot and feet  
Fixing material  
Universal tube cases  
EMC-seals

→ M 46  
→ N 65  
→ M 20  
→ M 43 - 45

Design case Rail  
Shell cases  
Tube cases with Eurocards  
Case with cooling fins

→ M 41  
→ M 3 - 4  
→ M 23  
→ M 34

**M 26**

A

B

C

D

E

F

G

H

I

K

L

M

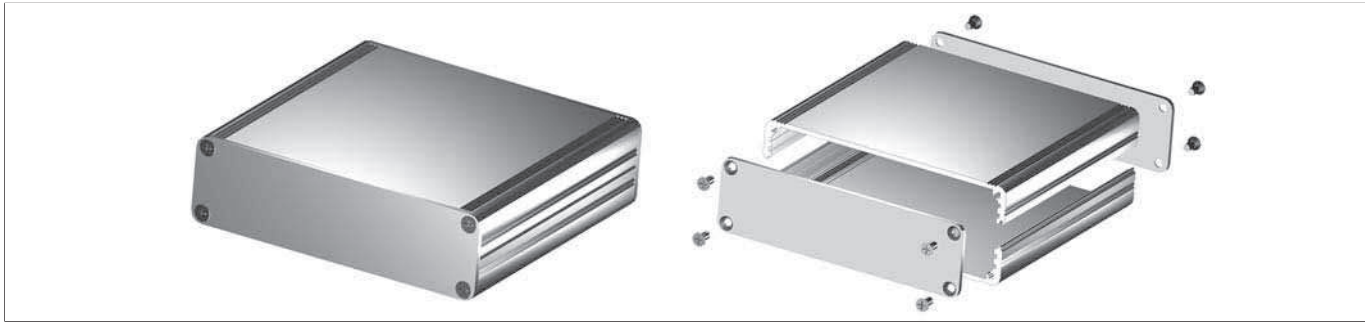
N

A

## Miniature aluminium casing for eurocards

B

C



D

- combination case with internal guide rails for application of 100 mm Eurocards
- casing tube made of aluminium sections which are slotted into each other and screwed together
- mit **M 3** fixing threads for cover panels; further dimensions and surface treatments upon request
- supplied as kit, incl. 2 mm cover panels and mounting material

E

F

<p style="text-align: center;"><b>art. no.</b></p> <p><b>AKG 105 22 ...</b></p>	<p style="text-align: center;"><b>art. no.</b></p> <p><b>AKG 105 26 ...</b></p>
<p style="text-align: center;"><b>art. no.</b></p> <p><b>AKG 105 30 ...</b></p>	<p style="text-align: center;"><b>art. no.</b></p> <p><b>AKG 105 34 ...</b></p>
<p style="text-align: center;"><b>art. no.</b></p> <p><b>AKG 105 38 ...</b></p>	<p style="text-align: center;"><b>art. no.</b></p> <p><b>AKG 105 46 ...</b></p>
<p><b>please indicate:</b></p> <p style="text-align: center;">... lengths 80 100 120 160 200 220 mm</p> <p style="text-align: center;">... surface SA = black anodised ME = clear anodised</p>	

M

profiles in meter lengths 1000 mm → M 30

N

### M 27

Shell cases  
Extruded assembled cases  
Desk consoles  
Euro case

→ M 3 - 4  
→ M 5  
→ M 8  
→ M 9

Tube cases with Eurocards  
Case with cooling fins  
Design case Chac  
Design case Frame

→ M 23  
→ M 34  
→ M 38  
→ M 39

## X-ON Electronics

Largest Supplier of Electrical and Electronic Components

*Click to view similar products for [Enclosures, Boxes, & Cases](#) category:*

*Click to view products by [Fisher](#) manufacturer:*

Other Similar products are found below :

[CR-425 PAINTED](#) [585-R-WH-PK](#) [M-10-PLATED](#) [60221-01](#) [60566-01-000](#) [HPL-9VB BATT DOOR](#) [M-16-LID-PLATED](#) [M18-PLTD](#) [M-21-LID-PLATED](#) [M-21-PLATED](#) [M-23-PLATED](#) [CU-281-MB](#) [6711GSKT](#) [71884-29-028](#) [LH45-100 Black](#) [7200B](#) [72868-510-000](#) [CNS-0000 Black](#) [72883-510-000](#) [CNS-0101 Black](#) [72906-510-000](#) [CNS-0407 Black](#) [73091-510-000](#) [CNM-0000-BLACK Kit](#) [73092-510-000](#) [CNM-0101 Black](#) [73108-510-000](#) [CNL-0303 Black](#) [73395-510-039](#) [CNS-0006 Bone](#) [74257-510-000](#) [CNL-0004](#) [MDC-1183-PLAIN-ALUM](#) [MDC-1183-PTD](#) [MDC-13104-PLAIN-ALUM](#) [MDC-211 - PAINTED IVORY/BEIGE](#) [MDC-321-PTD](#) [MDC-432-PLAIN-ALUM](#) [MDC-973-PTD](#) [76](#) [77153-01-028](#) [FLX6030](#) [83535-01-508](#) [PS-11296-G](#) [PS-11298-B](#) [116-508](#) [120-407](#) [120-412](#) [120-909](#) [120-455](#) [R272-100-000](#) [120-910](#) [R501-001-010](#) [R508-080-000](#) [R508-160-000](#) [R530-120-000](#) [R530-122-000](#) [R530-200-000](#) [R531-160-000](#) [R531-200-000](#) [R582-080-100](#)