



### ALFA25 - ALFA26



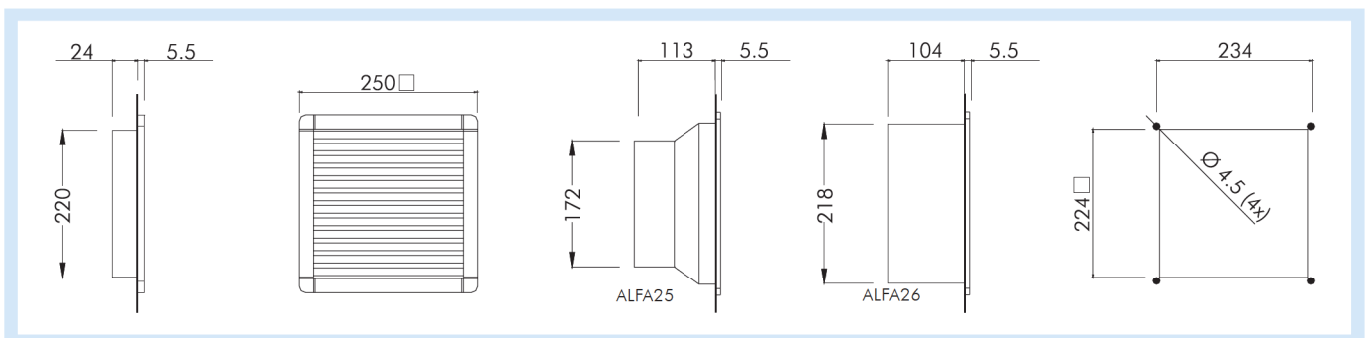
Features	Unit	ALFA2000BPB	ALFA2500BPB	ALFA2510BPB	ALFA2524BPTB	ALFA2548BPTB	ALFA2600BPB	ALFA2610BPB	ALFA2640BPB
Air flow rate (free blow)	m <sup>3</sup> /h	-	230(260)		230		370(400)		
Flow rate with exit filter	m <sup>3</sup> /h	-	180(210)		180		250(270)		
Power supply	V/Hz	-	230/50-60	115/50-60	24DC	48DC	230/50-60	115/50-60	400/50-60
Dimensions HxWxD	mm	250x250x30	250x250x119				250x250x110		
Power consumption	W	-	40(38)		26	33	70(90)		60(70)
Current consumption	A	-	0.17(0.16)	0.34(0.32)	1.08	0.68	0.40(0.38)	0.80(0.76)	0.18(0.15)
Overcurrent protection	-	-	thermal		impedance		thermal		
Electric connection	-	-	3-pole terminal 2.5 mm <sup>2</sup>				4-pole terminal 1.5 mm <sup>2</sup>		
Duty cycle	-	-	100%						
Operating temperature	°C	-	-10/+70						
Protection degree/class	-	IP54	IP54/Class I						
Noise level	dB(A)	-	53(58)		61		65(68)		
Flow direction	-	-	outside-in						
Bearing	-	-	ball						
Filter mat (Eurovent)	-	-	EU3						
Service life (at 40°C)	hr	-	50,000						
Material	-	-	ABS UL94V-0 Color RAL7035						
Wall thickness	mm	-	1.2-2.4						
Gasket	-	-	self-adhesive						
Weight (with packaging)	kg	0.42(0.52)	1.60(1.80)		1.20(1.40)		2.50(2.70)		
Package dimensions	mm	270x270x40	270x270x140						
Mounting	-	-	Fast Clip-on						
Conformity/Approvals	-	-	CE						

#### Versions

UL File n. E301228	ALFA2000BPUB	ALFA2500BPUB	ALFA2510BPUB	ALFA2524BPTUB	ALFA2548BPTUB	ALFA2600BPUB	ALFA2610BPUB	-
RAL7032 - Gray - Code ending								delete B
RAL9005 - Black - Code ending								delete B, add N (available on request)
EMC - Code ending								M
Reverse flow - Code ending	-						PR	

#### Accessories

Filter mat, standard type								ALFAFBP20
Filter mat, high efficiency								ALFAFBP20X
Thermostat 0-60°C, NO contact	-						THV2	
Fan speed controller	-						FSC	
Hood for IP55								CUFF20B



ael-cat-en-13.01

## X-ON Electronics

Largest Supplier of Electrical and Electronic Components

*Click to view similar products for [Fan Accessories](#) category:*

*Click to view products by [Alfa](#) manufacturer:*

Other Similar products are found below :

[LZ31](#) [LZ32P-1](#) [63070-2-4013](#) [71882-2-4053](#) [73770-2-3634](#) [73806-2-3634](#) [73816-2-3634](#) [854589-1](#) [99485901](#) [99485904](#) [1-21002-3](#) [1247-4-6254](#) [RF119](#) [1434-4-6711-80](#) [1434-4-6711-1](#) [169-002](#) [KM36](#) [27453.32193](#) [27453.32262](#) [99485906](#) [99485912](#) [F92-B](#) [FG92-W2](#) [FK120-30](#) [FK40-30](#) [FK80-45](#) [27453.32241](#) [27453.32298](#) [R88ACPU001M1](#) [R88ACPU001M2](#) [LZ215](#) [LZ22-2](#) [LZ24B](#) [LZ37-2](#) [525-00-0009](#) [KM38](#) [420-05-0276](#) [50824-4-1040](#) [04.846.1353.0](#) [04.846.1453.0](#) [055032](#) [07100-40](#) [07190-50](#) [08195](#) [08245](#) [09325-M/60](#) [09494-2-4039](#) [09576-2-4013](#) [109-1102](#) [109-019H](#)