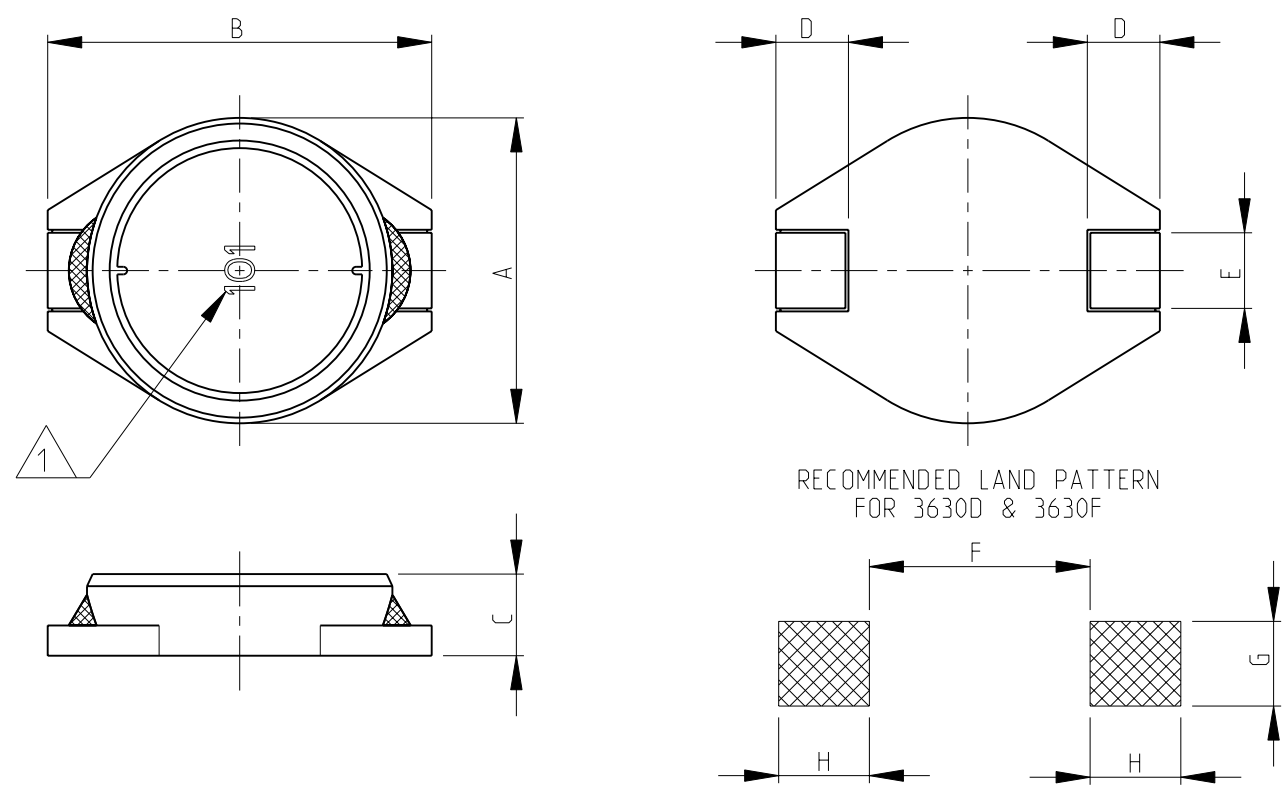


THIS DRAWING IS UNPUBLISHED. RELEASED FOR PUBLICATION 2008  
 © COPYRIGHT 2008 BY TYCO ELECTRONICS CORPORATION. ALL RIGHTS RESERVED.

LOC	DIST	REVISIONS				
P	LTR	DESCRIPTION	DATE	DWN	APVD	
E	B	BA	NEW RELEASE	14-NOV-08	SM	St.P

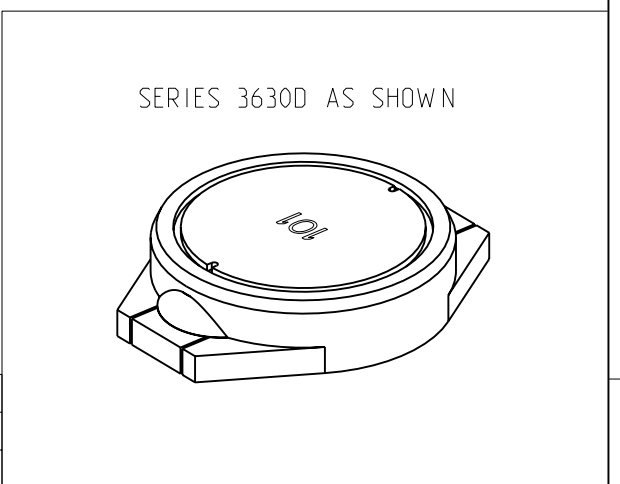
SERIES 3630D & 3630F AS SHOWN



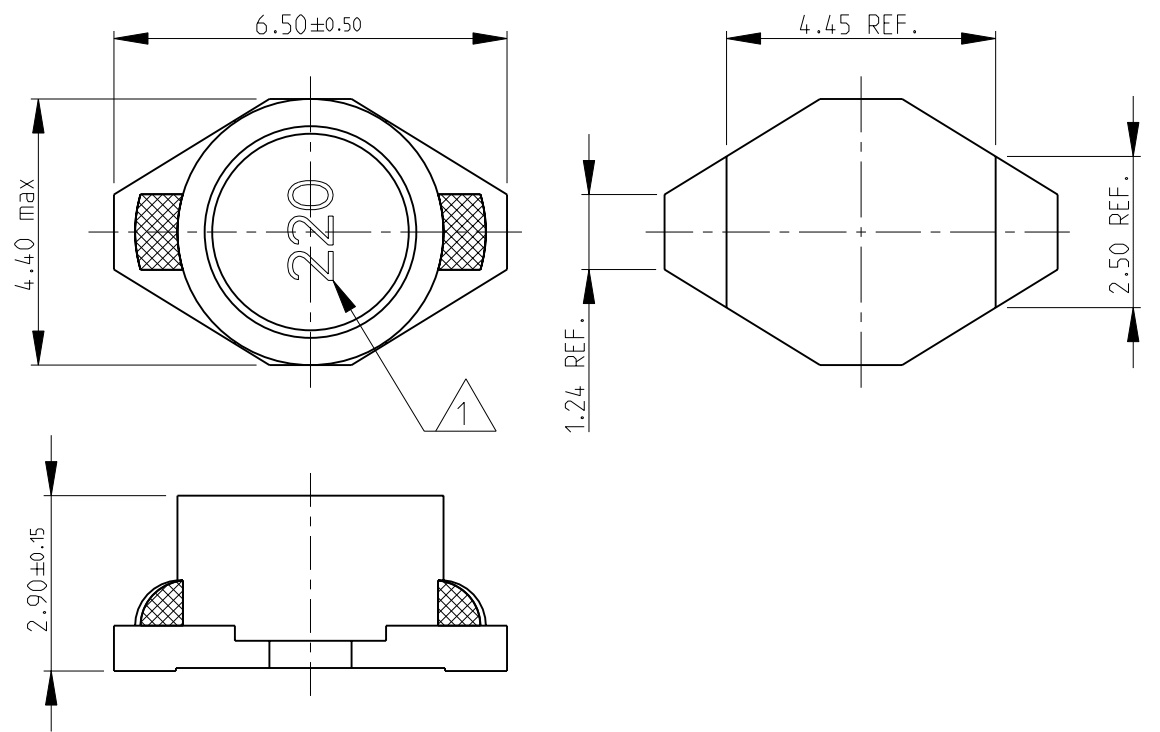
1 INDUCTANCE CODE  
 2 FOR FURTHER INFORMATION SEE DATA SHEET FOR 3621 SERIES-POWER INDUCTORS

RoHS Compliant

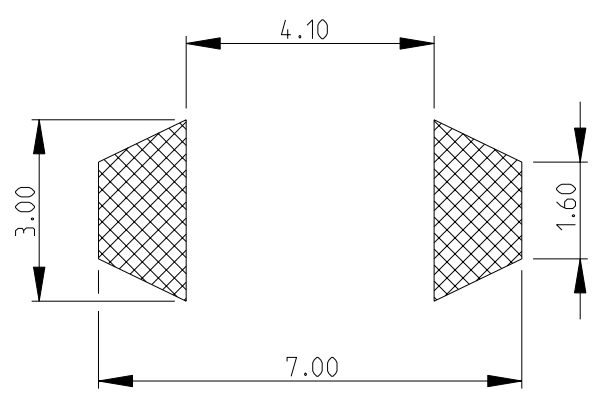
3630F	14.0±0.5	18.3±0.5	6.8±0.3	2.5±0.2	2.6±0.2	12.7	2.9	3.2
3630D	10.1±0.2	12.7±0.2	2.7±0.3	2.4±0.2	2.5±0.2	7.3	2.8	3.0
SERIES	A	B	C	D	E	F (REF)	G (REF)	H (REF)



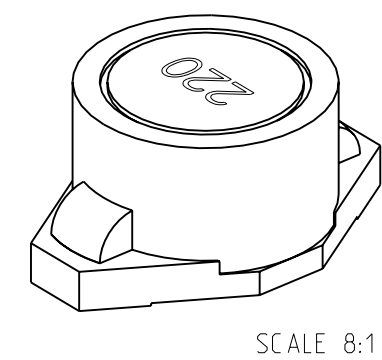
SCALE 8:1 SERIES 3630E AS SHOWN



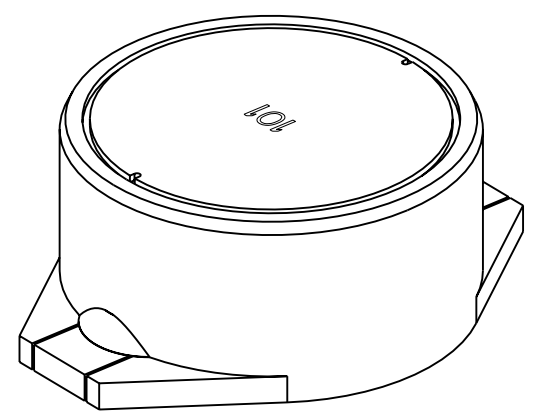
RECOMMENDED LAND PATTERN FOR 3630E



SERIES 3630E AS SHOWN



SERIES 3630F AS SHOWN



THIS DRAWING IS A CONTROLLED DOCUMENT FOR TYCO ELECTRONICS CORPORATION IT IS SUBJECT TO CHANGE AND THE CONTROLLING ENGINEERING ORGANIZATION SHOULD BE CONTACTED FOR THE LATEST REVISION.

DIMENSIONS:		TOLERANCES UNLESS OTHERWISE SPECIFIED:	
mm		0 PLC	±0.2
		1 PLC	±0.1
		2 PLC	±
		3 PLC	±
		4 PLC	±
		ANGLES	±5°
MATERIAL	-	FINISH	-

DWN	SUBHASH.M	14-NOV-08
CHK	PRAKASH.S	14-NOV-08
APVD	STEPHEN.P	14-NOV-08
PRODUCT SPEC	-	-
APPLICATION SPEC	-	-
WEIGHT	-	-
CUSTOMER DRAWING		

Tyco Electronics Corporation Dorcan, Swindon, SN3 5HH		NAME <b>SHIELDED SMD POWER INDUCTORS          SERIES 3630</b>	
SIZE	CAGE CODE	DRAWING NO	RESTRICTED TO
A3	00779	©-1676941	-
SCALE 4:1		SHEET 1 OF 1	REV BA

## X-ON Electronics

Largest Supplier of Electrical and Electronic Components

*Click to view similar products for [Fixed Inductors](#) category:*

*Click to view products by [TE Connectivity](#) manufacturer:*

Other Similar products are found below :

[MLZ1608M6R8WTD25](#) [MLZ1608N6R8LT000](#) [MLZ1608N3R3LTD25](#) [MLZ1608N3R3LT000](#) [MLZ1608N150LT000](#)

[MLZ1608M150WTD25](#) [MLZ1608M3R3WTD25](#) [MLZ1608M3R3WT000](#) [MLZ1608M150WT000](#) [MLZ1608A1R5WT000](#)

[MLZ1608N1R5LT000](#) [B82432C1333K000](#) [PCMB053T-1R0MS](#) [PCMB053T-1R5MS](#) [PCMB104T-1R5MS](#) [CR32NP-100KC](#) [CR32NP-](#)

[151KC](#) [CR32NP-180KC](#) [CR32NP-181KC](#) [CR32NP-1R5MC](#) [CR32NP-390KC](#) [CR32NP-3R9MC](#) [CR32NP-680KC](#) [CR32NP-820KC](#)

[CR32NP-8R2MC](#) [CR43NP-390KC](#) [CR43NP-560KC](#) [CR43NP-680KC](#) [CR54NP-181KC](#) [CR54NP-470LC](#) [CR54NP-820KC](#) [CR54NP-8R5MC](#)

[MGDQ4-00004-P](#) [MGDU1-00016-P](#) [MHL1ECTTP18NJ](#) [MHL1JCTTD12NJ](#) [PE-51506NL](#) [PE-53601NL](#) [PE-53630NL](#) [PE-53824SNLT](#) [PE-](#)

[62892NL](#) [PE-92100NL](#) [PG0434.801NLT](#) [PG0936.113NLT](#) [PM06-2N7](#) [PM06-39NJ](#) [HC2LP-R47-R](#) [HC2-R47-R](#) [HC3-2R2-R](#) [HC8-1R2-R](#)