

PIN PLATING CODES:	
XXXXX-1YY	30u"/0.76u MIN (SEE NOTE 13) OVER 50u"/1.27u MIN NI
XXXXX-2YY	15u"/0.38u MIN (SEE NOTE 13) OVER 50u"/1.27u MIN NI
XXXXX-3YY	50u"/1.27u MIN Au OVER 50u"/1.27u MIN NI
XXXXX-4YY	100u"/2.54u MIN Sn OVER 50u"/1.27u MIN NI (SEE NOTE 14)
XXXXX-5YY	15u"/0.38u MIN (SEE NOTE 13) OVER 50u"/1.27u MIN NI
XXXXX-6YY	30u"/0.76u MIN (SEE NOTE 13) OVER 50u"/1.27u MIN NI
XXXXX-7YY	30u"/0.76u MIN Au OVER 50u"/1.27u MIN NI
XXXXX-8YY	15u"/0.38u MIN Au OVER 50u"/1.27u MIN NI
XXXXX-9YY	15u"/0.38u MIN GXT OVER 50u"/1.27u MIN NI
XXXXX-0YY	30u"/0.76u MIN GXT OVER 50u"/1.27u MIN NI

PIN PLATING CODES (SEE ABOVE)

1. PART NUMBER OPTIONS:

HIGH TEMP. MATERIAL:
FOR HIGH-TEMPERATURE APPLICATIONS, SPECIFY AN "H" AT THE END OF THE PART NUMBER.
NUMBER OF POSITIONS :

ANY NUMBER OF POSITIONS FROM 1 THRU 36.
-X00H INDICATES BERGSTRIIP™ PRODUCT. SEE PAGE 3 FOR SPECIAL GEOMETRY OF THIS CONTINUOUS STRIP PRODUCT.
AUTOMATED REELS WILL CONTAIN 36,000 PINS.
SEE SPECIFIC PART NUMBERS FOR AVAILABILITY.
PACKAGING :

NO INDICATOR IS STANDARD PACKAGING IN POLY BAGS.
EIGHT DIGIT PART NUMBERS FOLLOWED BY A "T" ARE PACKAGED IN TUBES. SEE SPECIFIC PART NUMBERS FOR AVAILABILITY.
EIGHT DIGIT PART NUMBERS FOLLOWED BY A "C" ARE PACKAGED IN TUBES WITH PICKUP CAP APPLIED. (NOT TOOLED)

BERGSTRIIP™ PART NUMBERS FOLLOWED BY A "B" ARE BULK PRICED.

LEAD FREE :
ADD "HLF" SUFFIX AT THE END OF PART NUMBER FOR LEAD FREE OPTION, NOT AVAILABLE FOR -5YY,-5YYH,-6YY & -6YYH

2. BODY MATERIAL :
BERGSTRIK: MANUFACTURER'S OPTION OF NYLON OR PCT.
GLASS FIBER REINFORCED, FLAME RETARDENT PER UL-94V-0.
COLOR : BLACK
BERGSTRIIP™: PRODUCED WITH HIGH TEMPERATURE LCP
THERMOPLASTIC, FLAME RETARDENT PER UL-94V-0.
COLOR : BLACK
PART NUMBERS WITH "H" SUFFIX WILL WITHSTAND EXPOSURE TO 260°C PEAK TEMPERATURE FOR 20 SECONDS IN WAVE SOLDER, INFRA-RED OR VAPOR PHASE SOLDER PROCESS.
PART NUMBERS WITHOUT "H" SUFFIX WILL WITHSTAND EXPOSURE TO 260°C PEAK TEMPERATURE FOR WAVE SOLDER PROCESS.

- 3. PIN MATERIAL : PHOS-BRONZE.
- 4. MEASURED WITH PART IN RESTRAINED CONDITION.
- 5. TWO SIDES OF PIN TIPS NOT PLATED. TYPICAL BOTH ENDS.
- 6. 2LBS/0.9KG MIN PIN RETENTION IN EITHER DIRECTION.
- 7. PIN CANNOT PROTRUDE PAST EDGE OF HOUSING. MUST BE $.005\pm.005/.13\pm.13$ FROM END OF HOUSING HOLE.
- 8. MILITARY BERGSTRIK HEADER
P/N XXXXX-XXX-MIL.
NOT AVAILABLE.

9. $\pm.010/0.25$ TOL APPLIES TO ALL "G" TAILS EXCEPT INDICATED PARTS ON TABLE WHERE $+0.10/0.25 - .000/0.00$ APPLIES.

10. INDICATED PART NUMBERS ARE PRODUCED AND SOLD IN THE TAIWAN/SINGAPORE AREAS. THESE ARE NOT AVAILABLE IN BERGSTRIIP™ CONTINUOUS STRIP.

11. NOTCH CONFIGURATION WILL VARY PER VENDOR'S DISCRETION.
12. THESE PRODUCTS MEETS EUROPEAN UNION DIRECTIVES AND OTHER COUNTRY REGULATION AS DESCRIBED IN GS-22-008.
13. PLATING OPTIONS:
MAY BE EITHER GOLD OR GXT PLATED AT MANUFACTURER'S OPTION.

14. THIS PRODUCT HAS 100% TIN PLATING IN THE INTERFACE AND HAS NOT BEEN TESTED FOR WHISKER GROWTH IN ALL INTERCONNECT ENVIRONMENTS."

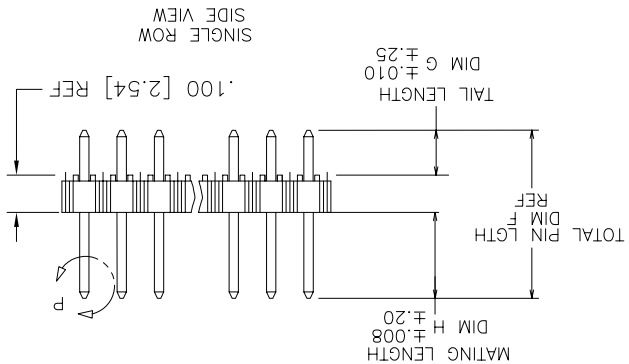
mtrl. code		ISO 1302		ISO 1302		ISO 406		ISO 1101		projection		product family	
SEE NOTES 2 & 3		surface		tolerance		tolerance unless otherwise specified		date		itr		ecn no	
CN		ongles		linegr		.xxx±.01/0.3		INCH/MM		title		BERGSTRIK® II HEADER	
scale 1:1		.100/2.54cc SR STRAIGHT		.100/2.54cc SR STRAIGHT		scale 1:1		dwg no		sheet 2 of 8 size		A3	
sheet		revision		sheet		revision		index		sheet		revision	
01/05/95		T.BREWBAKER 01/05/95		dr		T.HANNA 01/05/95		engr		T.HANNA 01/05/95		chr	
01/05/95		J.MURPHY 01/05/95		pppd		T.HANNA 01/05/95		pppd		T.HANNA 01/05/95		type	
Product Customer Drawing		Product Customer Drawing		Product Customer Drawing		Product Customer Drawing		Product Customer Drawing		Product Customer Drawing		Product Customer Drawing	



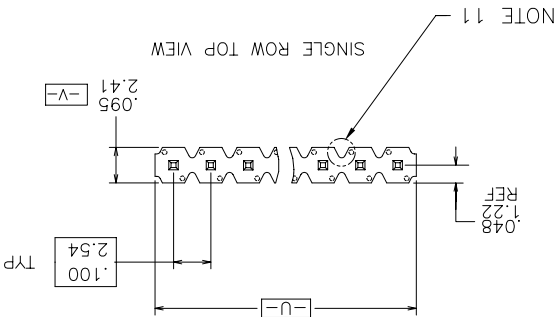
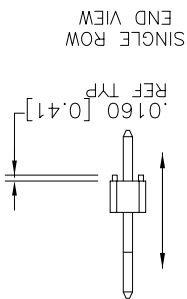
Copyright FCI



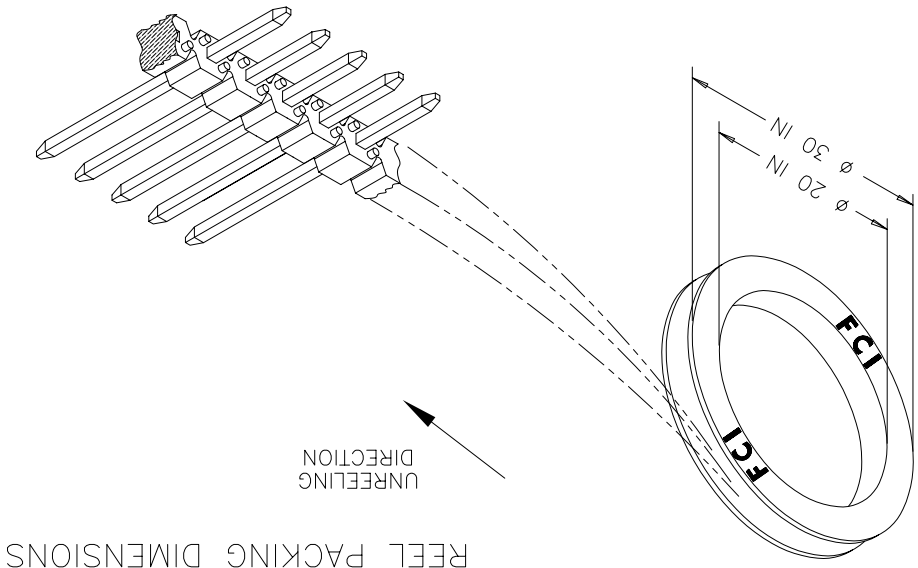
FCIconnect.com



NOTE 6



BERGSTRIPTM HEADER



REEL PACKING DIMENSIONS

mat'l. code		SEE NOTES 2 & 3		ISO 1302		surface		tolerance		ISO 406		ISO 1101	
tr ecn no		date		tolerances unless otherwise specified		inches		mm		inches		mm	
CN		angles		inches		mm		inches		mm		mm	
dr		T.BREWBAKER 01/05/95		0 ±.2		.xxxx+.0020/0.05		scale 1:1		product family		BERGSTIK	
engr		T.HANNA 01/05/95		0 ±.2		.xxxx+.005/0.13		title		product family		BERGSTIK	
chr		J.MURPHY 01/05/95		0 ±.2		.xxxx+.005/0.13		projection		product family		BERGSTIK	
ppd		T.HANNA 01/05/95		0 ±.2		.xxxx+.005/0.13		type		Product Customer Drawing		68000	
sheet		revision		sheet		revision		type		Product Customer Drawing		68000	
index		sheet		revision		sheet		type		Product Customer Drawing		68000	



PRODUCT NUMBER	TOTAL PIN LGTH	DIM F	DIM F	DIM G	DIM G	TAIL LENGTH	DIM G	DIM H	DIM H	MATING LENGTH	BERGSTRIP™ LF	OPTION	
												ENGLISH	METRIC
55492-XYRH	0.315	8.00	0.095	2.41	0.120	3.05				POLY BAGS	NO	NOTE 1,12	
60017-XYRH	0.640	16.26	0.210	5.33	0.310	7.87				POLY BAGS	NO		
60018-XYRH	0.660	16.76	0.250	6.35	0.310	7.87				POLY BAGS	NO		
63334-XYRH	0.435	11.05	0.095	2.41	0.240	6.10				POLY BAGS	NO		
68000-XYR	0.425	10.80	0.095	2.41	0.230	5.84				POLY BAGS	YES		
68001-XYR	0.450	11.43	0.120	3.05	0.230	5.84				POLY BAGS/TUBES	YES		
68002-XYR	0.480	12.19	0.150	3.81	0.230	5.84				POLY BAGS	YES		
68003-XYR	0.525	13.34	0.195	4.95	0.230	5.84				POLY BAGS	NO		
68004-XYR	0.525	13.34	0.107	2.72	0.318	8.08				POLY BAGS	YES		
68024-XYR	0.568	14.43	0.150	3.81	0.318	8.08				POLY BAGS	YES		
68031-XYR	0.513	13.03	0.183	4.65	0.230	5.84				POLY BAGS	NO		
68032-XYR	0.543	13.79	0.213	5.41	0.230	5.84				POLY BAGS	NO		
68033-XYR	0.708	17.98	0.473	12.01	0.135	3.43				POLY BAGS	NO		
68415-XYR	0.615	15.62	0.115	2.92	0.400	10.16				POLY BAGS	NO		
68416-XYR	0.813	20.65	0.483	12.27	0.230	5.84				POLY BAGS	NO		
68418-XYR	0.730	18.54	0.400	10.16	0.230	5.84				POLY BAGS	NO		
68422-XYR	0.631	16.03	0.213	5.41	0.318	8.08				POLY BAGS	NO		
68443-XYR	0.755	19.18	0.425	10.80	0.230	5.84				POLY BAGS	NO		
68456-XYR	0.825	20.96	0.115	2.92	0.610	15.49				POLY BAGS	NO		
68457-XYR	0.548	13.92	0.130	3.30	0.318	8.08				POLY BAGS	NO		
68465-XYR	0.925	23.50	0.595	15.11	0.230	5.84				POLY BAGS	NO		
68466-XYR	0.925	23.50	0.128	3.25	0.697	17.70				POLY BAGS	NO		
68472-XYR	0.913	23.19	0.413	10.49	0.400	10.16				POLY BAGS	NO		
68479-XYR	0.718	18.24	0.388	9.86	0.230	5.84				POLY BAGS	NO		
68483-XYR	0.835	21.21	0.417	10.59	0.318	8.08				POLY BAGS	NO		
68487-XYR	0.705	17.91	0.110	2.79	0.495	12.57				POLY BAGS	NO		
68489-XYR	1.095	27.81	0.765	19.43	0.230	5.84				POLY BAGS	NO		
68490-XYR	1.025	26.04	0.695	17.65	0.230	5.84				POLY BAGS	NO		
68497-XYR	0.612	15.54	0.085	2.16	0.427	10.85				POLY BAGS	NO		
68603-XYR	0.555	14.10	0.120	3.05	0.335	8.51				POLY BAGS	NO		
68604-XYR	0.600	15.24	0.120	3.05	0.380	9.65				POLY BAGS	NO		

mat'l code		SEE NOTES 2 & 3	
surface	ISO 1302	tolerance	ISO 1101
projection	ISO 406	tolerances unless otherwise specified	ISO 1101
title	BERGSTIK® II HEADER	INCH/MM	scale 1:1
product family	BERGSTIK	projection	ISO 406
itr	ecn no	dr	date
engr	T.HANNA	01/05/95	
chr	J.MURPHY	01/05/95	
pppd	T.HANNA	01/05/95	
sheet	revision	sheet	index

6
D
C
B
A
6



PRODUCT NUMBER	TOTAL PIN LGTH		TAIL LENGTH		MATING LENGTH		BERGSTRIP™	LF	OPTION
	DIM F	DIM F	DIM G	DIM G	DIM H	DIM H			
68795-XYX	0.500	12.70	0.062	1.57	0.338	8.59	POLY BAGS	NO	NOTE 1,12
68796-XYX	0.633	16.08	0.423	10.74	0.110	2.79	POLY BAGS	NO	
68797-XYX	0.413	10.49	0.213	5.41	0.100	2.54	POLY BAGS	NO	
69148-XYX	0.442	11.43	0.000	8.89	0.350	8.89	POLY BAGS	NO	
69152-XYX	0.720	18.29	0.120	3.05	0.500	12.70	POLY BAGS/TUBES	NO	
69173-XYX	0.530	13.46	0.135	3.43	0.295	7.49	POLY BAGS	NO	
69188-XYX	0.751	19.08	0.333	8.46	0.318	8.08	POLY BAGS	NO	
69751-XYX	0.440	11.18	0.170	4.32	0.170	4.32	POLY BAGS	NOTE 10	
71417-XYX	0.664	16.87	0.115	2.92	0.449	11.40	POLY BAGS	NOTE 10	
72260-XYXH	0.930	23.62	0.090	2.29	0.740	18.80	POLY BAGS	NO	
72323-XYXH	1.200	30.48	0.100	2.54	1.000	25.40	POLY BAGS	NO	
72457-XYXH	1.100	27.94	0.090	2.29	0.910	23.11	POLY BAGS	NO	
73698-XYXH	1.100	27.94	0.120	3.05	0.880	22.35	POLY BAGS	NO	
74464-XYXH	1.028	26.11	0.610	15.49	0.318	8.08	POLY BAGS	NO	
78240-XYX	0.663	16.84	0.333	8.46	0.230	5.84	POLY BAGS	NO	
78287-XYX	0.678	17.22	0.120	3.05	0.458	11.63	POLY BAGS	NO	
78290-XYX	1.250	31.75	0.500	12.70	0.650	16.51	POLY BAGS	NO	
78511-XYX	0.538	13.67	0.120	3.05	0.318	8.08	POLY BAGS/TUBES	YES	
78595-XYX	NOT AVAILABLE								
78931-XYX	NOT AVAILABLE								
78958-XYX	NOT AVAILABLE								
78959-XYX	NOT AVAILABLE								
78977-XYX	NOT AVAILABLE								
78998-XYX	0.430	10.92	0.155	3.94	0.175	4.45	POLY BAGS	NO	
78999-XYX	NOT AVAILABLE								
79428-XYX	0.695	17.65	0.120	3.05	0.475	12.07	POLY BAGS	NO	
79849-XYX	0.620	15.75	0.120	3.05	0.400	10.16	POLY BAGS	NO	

NOTE 1,12

↑

NOTE 1,12

mat'l. code		SEE NOTES 2 & 3	
surface	ISO 1302	tolerance	ISO 406
tolerances unless otherwise specified		.xxx+.01/0.3	
angles	indeg.	xxxx+.005/0.13	
	°f.2'	xxxx+.0020/0.05	
scale	1:1	projection	
dwg no	68000	product family	
type	Product Customer Drawing	BERGSTIK® II HEADER	
sheet	revision	title	
index	sheet	BERGSTIK	

6

5

4

3

2

1

6

5

4

3

2

1

D

C

B

A

Copyright FCI

FCI
FCIconnect.com

mat'l. code		ISO 1302		surface		tolerance		ISO 406		ISO 1101		projection		product family	
SEE NOTES 2 & 3		ISO 1302		surface		tolerance		ISO 406		ISO 1101		projection		BERGSTIK	
ltr	ecn no	dr	date	tolerances unless otherwise specified	xxxx.01/0.3	INCH/MM	title	BERGSTIK® II HEADER		.100/2.54cc SR STRAIGHT		scale 1:1		dwg no 68000	
				ingles	0°±2'			T.BREWBAKER 01/05/95		T.HANNA 01/05/95		J.MURPHY 01/05/95		T.HANNA 01/05/95	
sheet	revision	ppd	chr	engr	dr	T.HANNA 01/05/95		J.MURPHY 01/05/95		T.HANNA 01/05/95		type		Product Customer Drawing	
index	sheet														

PRODUCT NUMBER	TOTAL PIN LGTH	DIM F	DIM F	DIM G	DIM G	DIM H	DIM H	MATING LENGTH	BERGSTIK™	LF	OPTION
	ENGLISH METRIC	ENGLISH METRIC	ENGLISH METRIC	ENGLISH METRIC	ENGLISH METRIC	DIM H	DIM H		PACKAGING	NOTES	
84918-XYH	0.340	8.64	0.120	3.05	0.120	3.05	POLY BAGS	17.78	NOTE 10	NO	NOTE 1,12
84921-XYH	0.370	9.40	0.150	3.81	0.120	3.05	POLY BAGS	20.32	NOTE 10	NO	
86506-XYH	0.440	11.18	0.120	3.05	0.220	5.59	POLY BAGS	17.15	NOTE 10	NO	
86579-XYH	0.450	11.43	0.120	3.05	0.230	5.84	POLY BAGS	19.81	NOTE 10	NO	
86634-XYH								23.37		NO	
86635-XYH								4.06		NO	
86636-XYH								0.160		NO	
86637-XYH								0.830		NO	
86638-XYH								21.08		NO	
86793-XYH	0.900	22.86	0.100	2.54	0.700	17.78	POLY BAGS	17.78	NOTE 7	NO	
86899-XYH	1.020	25.91	0.120	3.05	0.800	20.32	POLY BAGS	17.78	NOTE 7	NO	
87185-XYH	1.238	31.45	0.095	2.41	1.043	26.49	POLY BAGS	17.78	NOTE 7	NO	
87204-XYH	0.895	22.73	0.120	3.05	0.675	17.15	POLY BAGS	17.78	NOTE 7	NO	
87241-XYH	1.000	25.40	0.120	3.05	0.780	19.81	POLY BAGS	17.78	NOTE 7	NO	
87502-XYH	1.130	28.70	0.110	2.79	0.920	23.37	POLY BAGS	17.78	NOTE 7	NO	
87827-XYH	0.380	9.65	0.120	3.05	0.160	4.06	POLY BAGS	17.78	NOTE 7	NO	
87916-XYH	1.058	26.87	0.128	3.25	0.830	21.08	POLY BAGS	17.78	NOTE 7	NO	
88005-XYH	0.536	13.61	0.095	2.41	0.341	8.66	POLY BAGS	17.78	NOTE 7	NO	
88706-XYH	0.900	22.86	0.100	2.54	0.700	17.78	POLY BAGS	17.78	NOTE 7	NO	
89232-XYH	0.325	8.26	0.000	0.00	0.230	5.84	POLY BAGS	17.78	NOTE 7	NO	

PRODUCT NUMBER	TOTAL PIN LGTH	DIM F	DIM F	METRIC	ENGLISH	METRIC	ENGLISH	METRIC	DIM G	DIM G	DIM H	DIM H	MATING LENGTH	TAIL LENGTH	DIM G	DIM H	DIM H	LENGTH	BERGSTRIP™
90522-XYX	0.668	16.97	0.135	3.43	0.433	11.00	NOTE 10	NO	NOTE 10	NO	NOTE 1,12	OPTION							
90547-XYX	0.508	12.90	0.095	2.41	0.313	7.95	NOTE 10	NO	NOTE 10	NO									
90719-XYX	0.384	9.75	0.106	2.69	0.178	4.52	---	NO	---	NO									
90726-XYX	0.440	11.18	0.110	2.79	0.230	5.84	---	YES	---	NO									
91276-XYX	1.225	31.12	0.225	5.72	0.900	22.86	---	NO	---	NO									
92020-XYX	0.372	9.45	0.094	2.39	0.178	4.52	---	NO	---	NO									
92418-XYX	0.572	14.53	0.118	3.00	0.354	8.99	---	NO	---	NO									
93167-XYX	0.394	10.01	0.059	1.50	0.235	5.97	---	NO	---	NO									
93287-XYXH	0.585	14.86	0.085	2.16	0.400	10.16	---	NO	---	NO									
93944-XYX	0.941	23.90	0.130	3.30	0.711	18.06	---	NO	---	NO									
93992-XYXH	0.415	10.54	0.085	2.16	0.230	5.84	---	NO	---	NO									
94063-XYX	0.376	9.55	0.138	3.51	0.138	3.51	NOTE 10	NO	NOTE 10	NO									
94094-XYX	0.592	15.04	0.314	7.98	0.178	4.52	---	NO	---	NO									
94544-XYX	0.550	13.97	0.130	3.30	0.330	8.38	NOTE 10	NO	NOTE 10	NO									
94611-XYXH	0.320	8.13	0.095	2.41	0.125	3.18	---	NO	---	NO									
95017-XYXH	0.560	14.22	0.060	1.52	0.400	10.16	---	NO	---	NO									
95103-XYX	1.064	27.03	0.433	11.00	0.531	13.49	NOTE 10	NO	NOTE 10	NO									
95104-XYX	0.370	9.40	0.126	3.20	0.144	3.66	NOTE 10	NO	NOTE 10	NO									
95648-XYXH	0.655	16.64	0.155	3.94	0.400	10.16	---	NO	---	NO									
95655-XYX	1.164	29.57	0.095	2.41	0.969	24.61	NOTE 10	NO	NOTE 10	NO									
98001-XYXH	0.610	15.49	0.420	10.67	0.090	2.29	---	NO	---	NO									
98136-XYXH	0.475	12.07	0.095	2.41	0.280	7.11	---	NO	---	NO									
1004394-XYXH	0.290	7.37	0.095	2.41	0.095	2.41	---	NO	---	NO									

NOTE 1,12

↑

NOTE 1,12

mat'l. code	ISO 1302	surface	ISO 1302	tolerance	ISO 406	ISO 1101	projection	product family	BERGSTIK
SEE NOTES 2 & 3	date	tolerances unless otherwise specified	xxxx.01/0.3	inches	xxxx.005/0.13	xxxx.0020/0.05	projection	product family	BERGSTIK
angle	0°±2'	inches	xxxx.005/0.13	inches	xxxx.005/0.13	xxxx.0020/0.05	projection	product family	BERGSTIK
scale	1:1	scale	1:1	scale	1:1	scale	1:1	product family	BERGSTIK
dwg no	68000	dwg no	68000	dwg no	68000	dwg no	68000	product family	BERGSTIK
sheet	revision	sheet	revision	sheet	revision	sheet	revision	product family	BERGSTIK
dr	T.BREWBAKER 01/05/95	dr	T.BREWBAKER 01/05/95	dr	T.BREWBAKER 01/05/95	dr	T.BREWBAKER 01/05/95	product family	BERGSTIK
enr	T.HANNA 01/05/95	enr	T.HANNA 01/05/95	enr	T.HANNA 01/05/95	enr	T.HANNA 01/05/95	product family	BERGSTIK
chr	J.MURPHY 01/05/95	chr	J.MURPHY 01/05/95	chr	J.MURPHY 01/05/95	chr	J.MURPHY 01/05/95	product family	BERGSTIK
appd	T.HANNA 01/05/95	appd	T.HANNA 01/05/95	appd	T.HANNA 01/05/95	appd	T.HANNA 01/05/95	product family	BERGSTIK

6

5

4

3

2

1

6

5

4

3

2

1

X-ON Electronics

Largest Supplier of Electrical and Electronic Components

Click to view similar products for [Headers & Wire Housings](#) category:

Click to view products by [Amphenol](#) manufacturer:

Other Similar products are found below :

[95000-104TRLF](#) [10135584-644402LF](#) [DF62W-EP2022PCA](#) [95000-106TRLF](#) [DF62W-2022SCA](#) [DF62W-EP2022PC](#) [2203348](#) [DF62W-2022SC](#) [1084018](#) [1029039](#) [1084017](#) [802-10-012-10-002000](#) [1112640](#) [1112639](#) [000-34000](#) [0008550134](#) [0009482033](#) [0009507031](#) [57102-F02-18ULF](#) [57102-S06-03LF](#) [57202-S52-04LF](#) [PCN6-15S-2.5E](#) [0039019024](#) [58102-G61-06LF](#) [582553-1](#) [0009485154](#) [0009508121](#) [009176003701906](#) [0022285053](#) [0050291907](#) [018731A](#) [LY20-4P-DT1-P1E-BR](#) [02.125.8002.8](#) [60101931](#) [60598-1 \(Cut Strip\)](#) [M1625-3R/100](#) [61062-3](#) [61082-181009](#) [CSU011177004](#) [636-1427](#) [638009-1](#) [641938-9](#) [641991-4](#) [644168-1](#) [644827-2](#) [647662-1](#) [65039-019ELF](#) [65692-001LF](#) [65781-018](#) [65781-047](#)