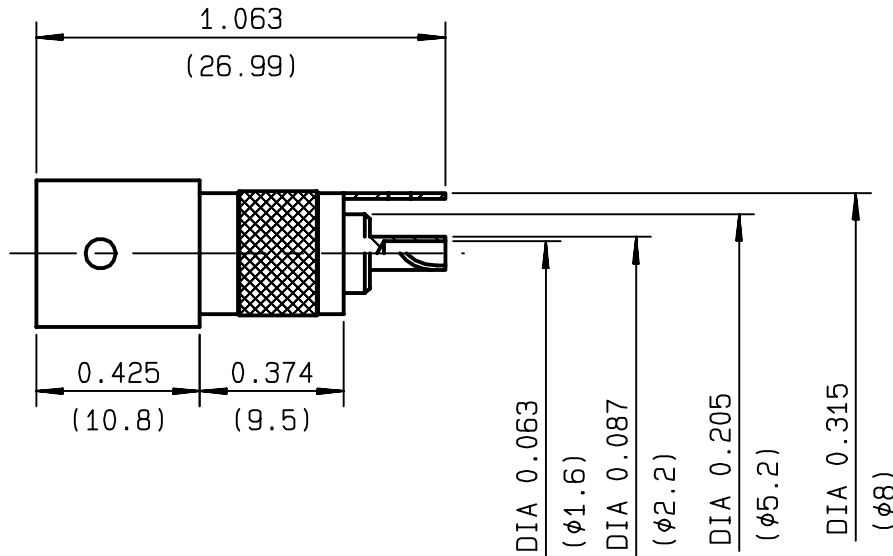


**STRAIGHT PRESS FIT PLUG RECEPTACLE  
FRONT MOUNT - WITH SOLDER POT CONTACT**

**R141.501.120**  
**SERIES BNC**



NOMINAL IMPEDANCE	<b>50</b> Ω
FREQUENCY RANGE	<b>0-4</b> GHz
TEMPERATURE RATING	<b>-65/+165</b> °C
V.S.W.R	<b>1.06*</b> + <b>.006</b> x F(GHz)Maxi
RF INSERTION LOSS	<b>.025*</b> √F(GHz) dB Maxi
VOLTAGE RATING	<b>500</b> Veff Maxi
DIELECTRIC WITHSTANDING VOLTAGE	<b>1500</b> Veff Mini
INSULATION RESISTANCE	<b>5000</b> MΩMini
HERMETIC SEAL	<b>NA</b> Atm.cm <sup>3</sup> /s
LEAKAGE (pressurized only)	<b>NA</b>
MECHANICAL DURABILITY	<b>500</b> Cycles
WEIGHT	gr
SPECIFICATION	

CABLES :

OTHERS CHARACTERISTICS

**\* Coaxial Transmission Line Only**

CABLE RETENTION	<b>NA</b>	N Mini
CENTER CONTACT RETENTION		
Axial force - mating end	<b>18</b>	N Mini
Axial force - opposite end	<b>18</b>	N Mini
Torque	<b>2.8</b>	cm.N Mini
RECOMMENDED TORQUES		
Mating	<b>NA</b>	cm.N
Panel nut	<b>NA</b>	cm.N
Clamp nut	<b>NA</b>	cm.N

CONNECTOR PARTS	MATERIALS	FINISH	(all values are given in micrometers)
BODY	BRASS	NICKEL 2	
OUTER CONTACT			
CENTER CONTACT	BERYLLIUM COPPER	GOLD 0.5 OVER NICKEL 2	
INSULATOR	PTFE	-	
GASKET		-	
OTHERS PIECES			

ISSUE	CREATION DATE	FILE PART-NUMBER
<b>9913A00</b>	<b>11/08/1995</b>	<b>95-0400-702</b>



MASTRIANO

The information given here is subject to change without notice. Design changes may be in order to improve the product .

*Connect to the future*

## X-ON Electronics

Largest Supplier of Electrical and Electronic Components

*Click to view similar products for [radiall](#) manufacturer:*

Other Similar products are found below :

[5919-1503-000](#) [7101-1541-010](#) [7105-1561-010](#) [MD11-035](#) [81-6201-0450](#) [9074-9513-000](#) [R113425097](#) [R114305000W](#) [R124075210](#)  
[R125055000](#) [R125512000W](#) [R141154000W](#) [R141572000](#) [R143012000](#) [R143235161W](#) [R166268000](#) [R176019000](#) [R191841001W](#)  
[R282102000](#) [R282744220](#) [R282918120](#) [R404770000](#) [R413808000](#) [R414430150](#) [R414520150](#) [R433514700](#) [R570022105](#) [R570123005](#)  
[R570363010](#) [R570442000](#) [R570E52010](#) [R574402410](#) [R585423230](#) [R114425000](#) [R124510000](#) [R125052500](#) [R125320020W](#) [R141331500W](#)  
[R162017000W](#) [R176404000](#) [R191970091](#) [R282750000](#) [R317270000](#) [R404110150](#) [R404280150](#) [R404755000](#) [R413210150](#) [R413303150](#)  
[R413830150](#) [R414530150](#)