

POWER/2_{mm} SIGNAL COMBO PCS2, PCT2 SERIES

SPECIFICATIONS

For complete specifications and recommended PCB layouts see www.samtec.com?PCS2 or www.samtec.com?PCT2

Insulator Material: Black Liquid Crystal Polymer
Contact Material: BeCu
Terminal Material: Phosphor Bronze
Plating: Sn or Au over 50µ" (1,27µm) Ni on signal pins; Sn over 50µ" (1,27µm) Ni on power pins
Operating Temp Range: -55°C to +105°C with Tin; -55°C to +125°C with Gold
Contact Resistance: 10 mΩ max
Insertion Depth: (2,62mm) .103" to (5,03mm) .198" with (0,38mm) .015" wipe
Max Cycles: 100 with 10µ" (0,25µm) Au
Insertion Force: (Single contact only) 28oz (7,78N) avg per power contact plus 1.8oz (0,50N) avg per signal contact
Withdrawal Force: (Single contact only) 20oz (5,56N) avg per power contact plus 1.0oz (0,28N) avg per signal contact
Voltage Rating: 500 VAC
RoHS Compliant: Yes

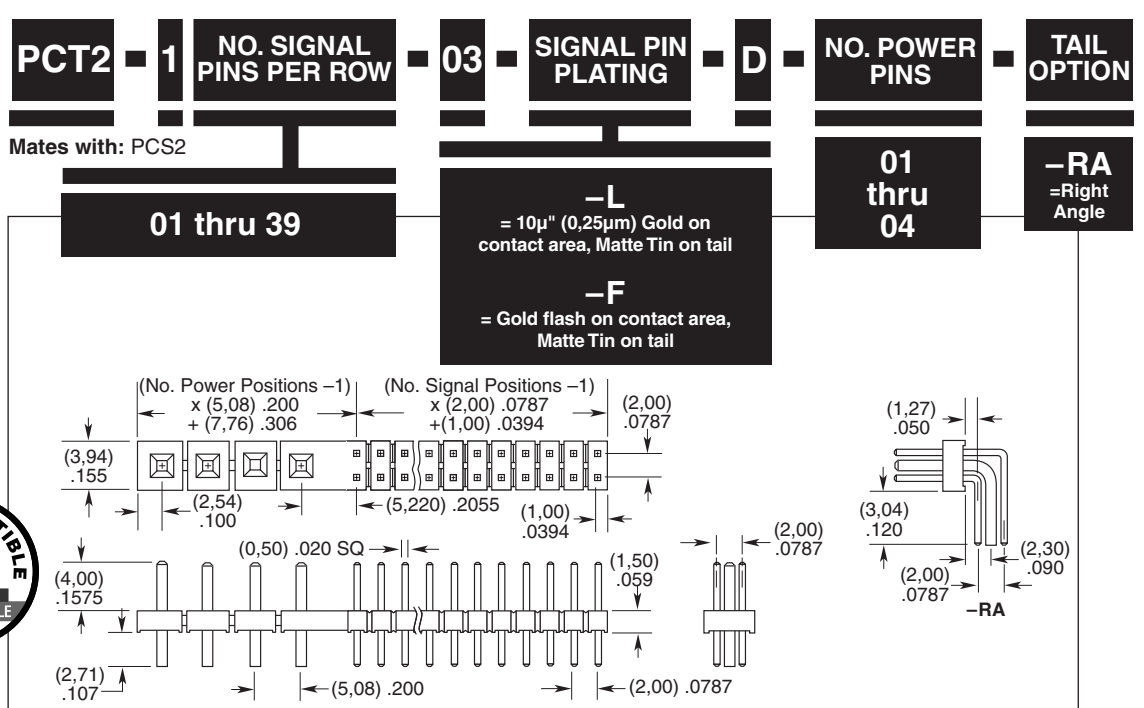
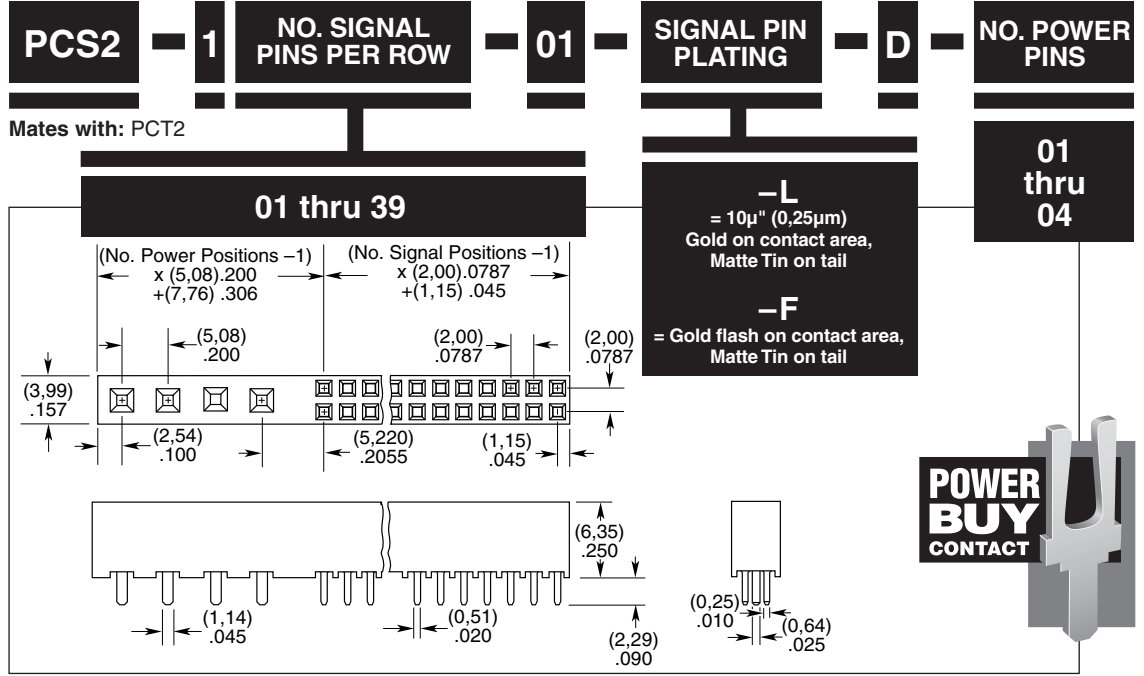


CURRENT RATING	
AMBIENT TEMP	PCT2/PCS2
20°C	15.6A
40°C	14.0A
60°C	12.0A
75°C	8.4A
4 POWER PINS POWERED	

Processing:
Max Processing Temp: 230°C for 60 seconds, or 260°C for 20 seconds 3x
Lead-Free Solderable: Yes



Note: Some lengths, styles and options are non-standard, non-returnable.



Due to technical progress, all designs, specifications and components are subject to change without notice.

WWW.SAMTEC.COM

X-ON Electronics

Largest Supplier of Electrical and Electronic Components

Click to view similar products for [Board to Board & Mezzanine Connectors](#) category:

Click to view products by [Samtec](#) manufacturer:

Other Similar products are found below :

[10135583-642402LF](#) [89885-310LF](#) [589158040000018](#) [6-1393048-0](#) [68683-613](#) [MDF7-12DP-2.54DSA](#) [MDF7-18P-2.54DSA\(01\)](#) [MDF7-20DP-2.54DSA](#) [MDF7-26D-2.54DSA\(55\)](#) [MDF7-3P-2.54DSA\(01\)](#) [MDF7B-3P-2.54DSA\(55\)](#) [MDF7C-11P-2.54DSA\(55\)](#) [MDF7C-18P-2.54DSA\(55\)](#) [MDF7C-5P-2.54DSA\(01\)](#) [MDF7P-5P-2.54DSA\(55\)](#) [75234-0516](#) [FCN-230C068-11](#) [FCN-268F012-G/BD](#) [FCN-268F036-G/BD](#) [FCN-268M012-G/0D](#) [FCN-268M024-G/1D](#) [FCN-360C008-C](#) [FCN-360C040-C](#) [FCN-723J004/1](#) [MIS-048-01-F-D-DP-K](#) [832-10-034-10-001000](#) [93696-325LF](#) [11828-1FA](#) [AXK630345P](#) [18097-0013](#) [ICA-328STT](#) [2007042-2](#) [304400-2](#) [FCN-214Q030-G/0](#) [FCN-215Q040-G/0](#) [FCN-230C068-ESA](#) [FCN-234P048-G/0](#) [FCN-235D050-G/C](#) [FCN-360A3](#) [FCN-360C040-B](#) [210-93-314-41-105000](#) [2-22603-0](#) [379-064-521-202](#) [MDF7-12P-2.54DSA\(01\)](#) [MDF7-16P-2.54DS\(56\)](#) [MDF7-40DP-2.54DSA\(55\)](#) [MDF7-8P-2.54DSA\(55\)](#) [MDF7B-16P-2.54DSA\(55\)](#) [AXG720047](#) [5031084030](#)