

REV. BN

NOTES:

1. MINIMUM CONTACT RETENTION: 0.5 LB PER PIN.
2. -01 POSITION OFFERED FOR SINGLE ROW RIGHT ANGLE ONLY.
3. -01, -02 & -03 POSITIONS TO BE LAYER PACKAGED.
4. STOCK TO BE 62 POSITION FOR -D AND 61 POSITION FOR -S, -01 LEAD STYLE ONLY. TO BE CUT TO POSITION FOR CUSTOMER.
5. .005 [.13] MAX SHEAR BURR ALLOWANCE.

DO NOT SCALE FROM THIS PRINT

DIMENSIONS ARE IN INCHES		UNLESS OTHERWISE NOTED		TOLERANCES ARE:		TITLE: 2MM SOCKET STRIP ASSEMBLY	DWG NO: SQT-1XX-XX-XXX-X-XXX-XXX
ONE PLACE DECIMALS ±.1[2.5]		THREE PLACE DECIMALS ±.005[.127]		ANGLES ± 2°		SHEET 1 OF 3	
TWO PLACE DECIMALS ±.01[.25]		FOUR PLACE DECIMALS ±.0020[.051]					

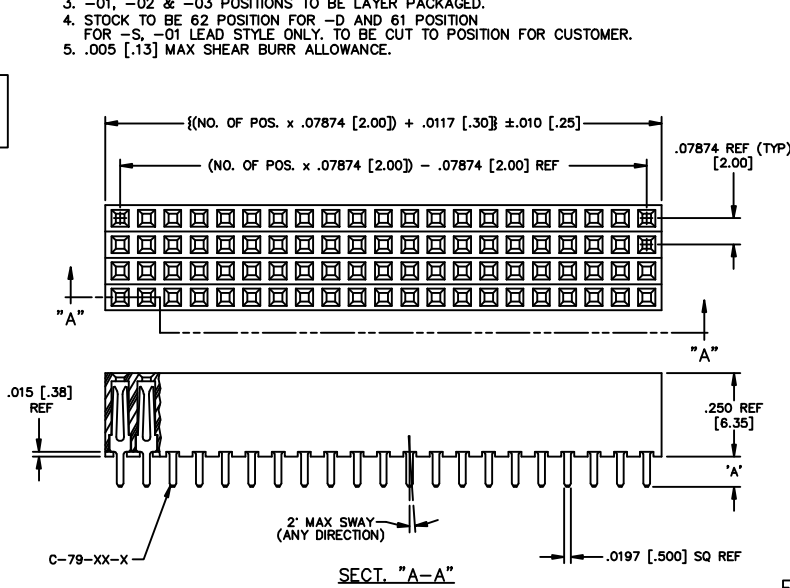


FIG. 1

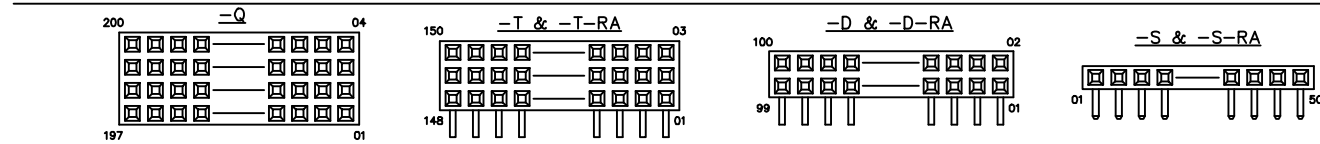
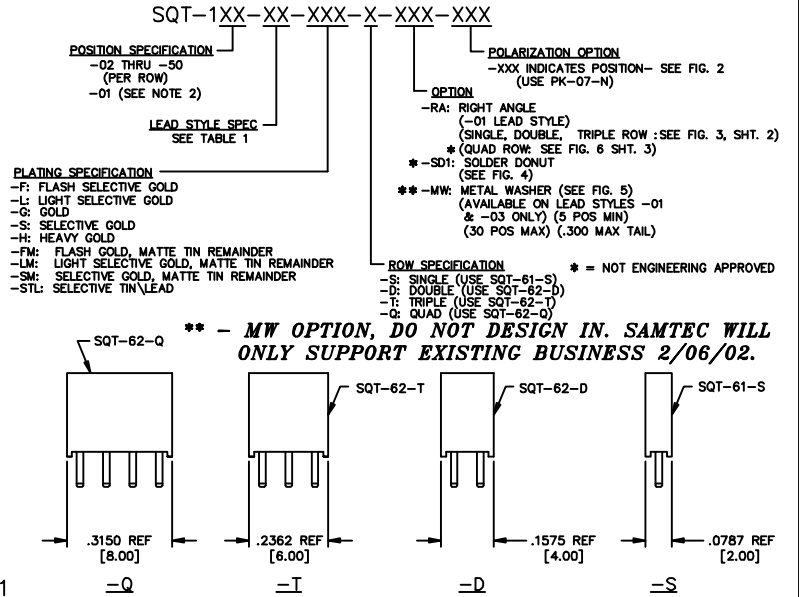
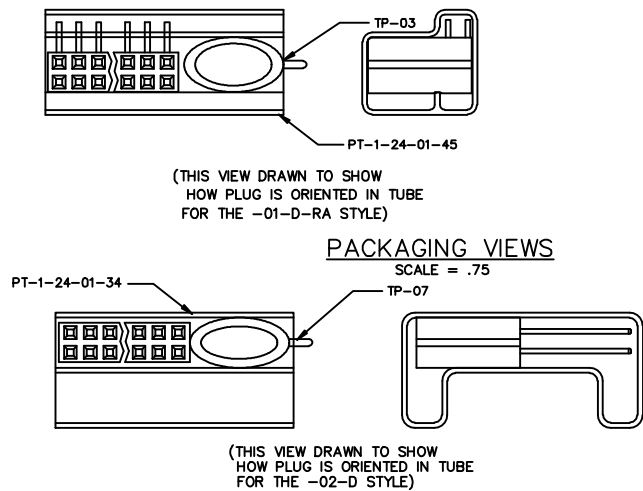


FIG. 2  
POLARIZATION OPTION LOCATION  
INSERT PK-07 INTO SPECIFIED POSITION AND BREAK OFF TAB



ROW SPEC.	NO. OF POS.	PKG TUBE	TUBE PLUG
-03-S	04-50	PT-1-24-06-17	TP-24
-02-S	05-50	PT-1-24-10-03	TP-03
-01-S-RA	04-50	PT-1-24-01-43	TP-24
-01-D	04-50	PT-1-24-02-17	TP-09
-02-D	04-50	PT-1-24-01-34	TP-07
-03-D	04-50	PT-1-24-01-22	TP-03
-01-D-RA	04-50	PT-1-24-01-45	TP-03
-01-T	04-50	PT-1-24-05-09	TP-07
-02-T	04-50	PT-1-24-01-102	TP-07
-03-T	04-50	PT-1-24-08-15	TP-07
-01-Q	04-50	PT-1-24-15-29	TP-07
-02-Q	04-50	PT-1-24-02-51	TP-13
-03-Q	04-50	PT-1-24-16-29	TP-07
-01-T-RA	04-50	PT-1-24-06-40	TP-07
-01-S	04-50	PT-1-24-05-15	TP-24
ALL STYLES	-02 & -03	LAYER PACKAGING	

LEAD STYLE	'A'	CONTACT
-01	.090 [2.29]	C-79-01-X
-01-S-RA	N/A	C-79-53-X
-01-D-RA	N/A	C-79-12-X
		C-79-53-X
-01-T-RA	N/A	C-79-53-X
		C-79-12-X
		C-79-12-X
*		ASP-71394-01-X
-01-Q-RA	N/A	ASP-71394-02-X
		ASP-71394-03-X
		ASP-71394-04-X
-02	.600 [15.24]	C-79-02-X
-03	.208 [5.28]	C-79-53-X

**PROPRIETARY NOTE**  
THIS DOCUMENT CONTAINS INFORMATION CONFIDENTIAL AND PROPRIETARY TO SAMTEC INC AND SHALL NOT BE REPRODUCED OR TRANSFERRED TO OTHER DOCUMENTS OR DISCLOSED TO OTHERS OR USED FOR ANY PURPOSE OTHER THAN THAT FOR WHICH IT WAS OBTAINED WITHOUT THE EXPRESSED WRITTEN CONSENT OF SAMTEC INC.

MATERIAL:  
CONTACT: PHOS BRONZE  
INSULATOR: LCP  
COLOR: BLACK  
MAX BOW: .004 IN/IN



520 PARK EAST BLVD. NEW ALBANY, INDIANA 47150  
PHONE (812) 944-6733 P.O. BOX 1147  
CODE 55322

MADE BY: BRATCHER 7-24-95

SQT-1XX-XX-XXX-X-XXX-XXX  
SHEET 1 OF 3

## X-ON Electronics

Largest Supplier of Electrical and Electronic Components

*Click to view similar products for [Headers & Wire Housings](#) category:*

*Click to view products by [Samtec](#) manufacturer:*

Other Similar products are found below :

[95000-104TRLF](#) [10135584-644402LF](#) [DF62W-EP2022PCA](#) [95000-106TRLF](#) [DF62W-2022SCA](#) [DF62W-EP2022PC](#) [2203348](#) [DF62W-2022SC](#) [1084018](#) [1029039](#) [1084017](#) [802-10-012-10-002000](#) [1112640](#) [1112639](#) [000-34000](#) [0009482033](#) [0009507031](#) [57102-S06-03LF](#) [57202-S52-04LF](#) [PCN6-15S-2.5E](#) [0039019024](#) [58102-G61-06LF](#) [582553-1](#) [0009485154](#) [0009508121](#) [0022285053](#) [0050291907](#) [018731A](#) [LY20-4P-DT1-P1E-BR](#) [02.125.8002.8](#) [60101931](#) [60598-1 \(Cut Strip\)](#) [M1625-3R/100](#) [61062-3](#) [61082-181009](#) [636-1427](#) [638009-1](#) [641938-9](#) [641991-4](#) [644168-1](#) [647662-1](#) [65039-019ELF](#) [65817-002LF](#) [65817-015LF](#) [65863-015LF](#) [66207-023LF](#) [67016-026LF](#) [67046-001LF](#) [67095-007LF](#) [67230-005LF](#)