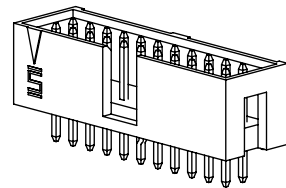


DO NOT SCALE FROM THIS PRINT



HTSS-1XX-XX-XX-D-XX-XX

- No OF POSITIONS**
 - 02 (STRAIGHT ONLY)
 - 03 THRU -18, -20, -24, -25, -28, -30, -32 & -36
- LEAD STYLE**
 - 01, -02, -03 (SEE TABLE 1)
 - 04, -05 (SEE TABLE 2)
- POLARIZATION OPTION**
 - XX: INDICATES POSITION OMITTED
- OPTION**
 - BLANK: STRAIGHT (STYLES -04 & -05 N/A)
 - RA: RIGHT ANGLE (STYLES -01, -02 & -03 N/A)
 - LL: LOCKING LEAD (STRAIGHT ONLY)
 - LA: -RA OPTION WITH -LL OPTION (SEE TUBE TABLE FOR PACKAGING)
- ROW SPECIFICATION**
 - D: DOUBLE ROW (USE HTSS-XX-D)

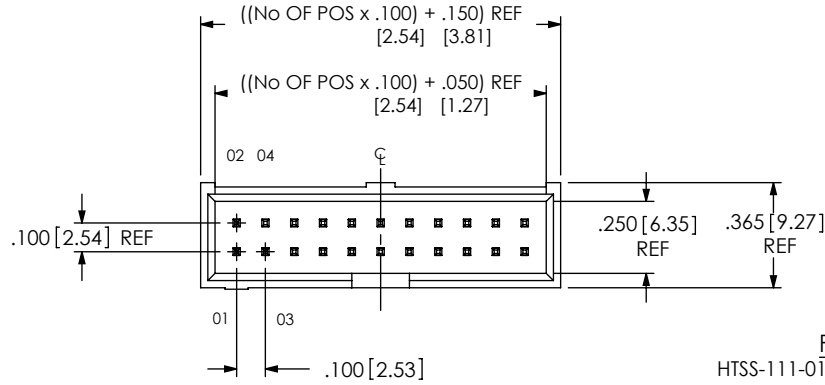
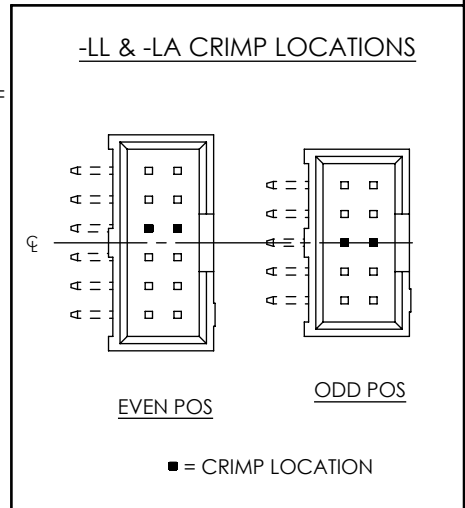
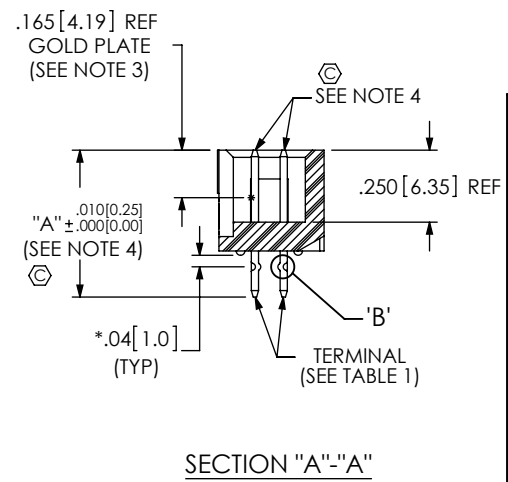
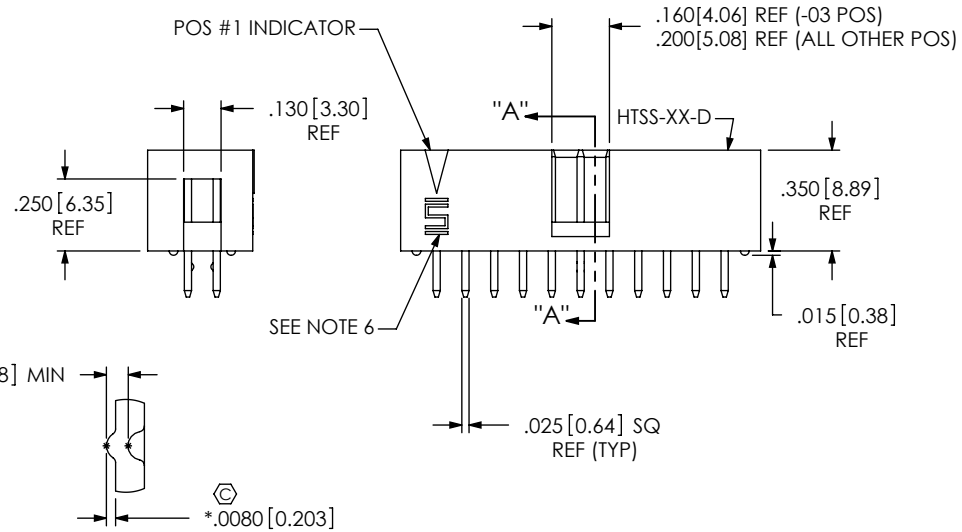


FIG 1
HTSS-111-01-XX-D-LL SHOWN

- PLATING SPECIFICATION**
 - G: GOLD, 10 Au / 50 Ni MIN ON CONTACT, 3 Au / 50 Ni MIN ON TAIL
 - T: MATTE TIN CONTACT AND TAIL
 - S: SELECTIVE, 30 Au / 50 Ni MIN ON CONTACT, MATTE TIN TAIL
 - L: LIGHT SELECTIVE, 10 Au / 50 Ni MIN ON CONTACT, MATTE TIN TAIL
 - H: HEAVY GOLD, 30 Au / 50 Ni MIN ON CONTACT, 3 Au / 50 Ni MIN ON TAIL
 - F: FLASH SELECTIVE, 3 Au / 50 Ni MIN ON CONTACT, MATTE TIN TAIL
 - TM: MATTE TIN CONTACT AND TAIL
 - SM: SELECTIVE, 30 Au / 50 Ni MIN ON CONTACT, MATTE TIN TAIL
 - LM: LIGHT SELECTIVE, 10 Au / 50 Ni MIN ON CONTACT, MATTE TIN TAIL
 - FM: FLASH SELECTIVE, 3 Au / 50 Ni MIN ON CONTACT, MATTE TIN TAIL
 - SS: STRIPE SELECTIVE, 30 Au / 50 Ni MIN ON CONTACT, MATTE TIN TAIL (SEEN NOTE 7)



* DIMENSIONS APPLY WHEN USING -LL OPTION ONLY

- NOTES:
- ⊕ REPRESENTS A CRITICAL DIMENSION.
 - TERMINAL PUSHOUT FORCE: 3 lbs.
 - ASSEMBLE GOLD PLATED END AS SHOWN.
 - TERMINALS TO BE FLUSH TO .010[.25] BELOW TOP OF SHROUD.
 - HTSS-1XX-04-XX-D-XA-XX ASSEMBLIES ARE TO BE PACKAGED IN A PT-1-24-01-40 TUBE WITH TWO TP-13 PLUGS PER TUBE (ALL POSITIONS).
 - SAMTEC LOGO MAY VARY IN LOCATION.
 - AVAILABLE ON STRAIGHT LEAD STYLES -01, -02, -03 AND ON -RA LEAD STYLE -04. MATES ONLY WITH SSW, SSQ, SSM, BCS, ESW, ESQ.

TABLE 1		
LEAD STYLE	"A"	TERMINAL
-01	.480 [12.19]	T-1S6-17-XX-2
-02	.530 [13.46]	T-1S6-08-XX-2
-03	.930 [23.62]	T-1S6-11-XX-2

UNLESS OTHERWISE SPECIFIED, DIMENSIONS ARE IN INCHES. TOLERANCES ARE: DECIMALS ANGLES .XX: ±.01 [.3] 2° .XXX: ±.005 [.13] .XXXX: ±.0020 [.051]	PROPRIETARY NOTE THIS DOCUMENT CONTAINS INFORMATION CONFIDENTIAL AND PROPRIETARY TO SAMTEC, INC. AND SHALL NOT BE REPRODUCED OR TRANSFERRED TO OTHER DOCUMENTS OR DISCLOSED TO OTHERS OR USED FOR ANY PURPOSE OTHER THAN THAT WHICH IT WAS OBTAINED WITHOUT THE EXPRESSED WRITTEN CONSENT OF SAMTEC, INC.		
		520 PARK EAST BLVD, NEW ALBANY, IN 47150 PHONE: 812-944-6733 FAX: 812-948-5047 e-Mail: info@SAMTEC.com code: 55322	
MATERIAL: DO NOT SCALE DRAWING SHEET SCALE: 1.5:1 INSULATOR: LCP, UL 94 VO COLOR: NATURAL TERMINAL: PHOS BRONZE		DESCRIPTION: HIGH TEMP TOP SHROUD TERMINAL STRIP DWG. NO. HTSS-1XX-XX-XX-D-XX-XX	
BY: BRATCHER 01/20/04		SHEET 1 OF 2	

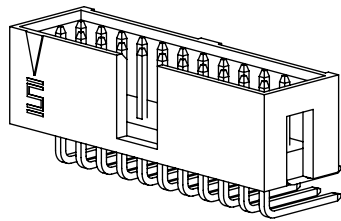
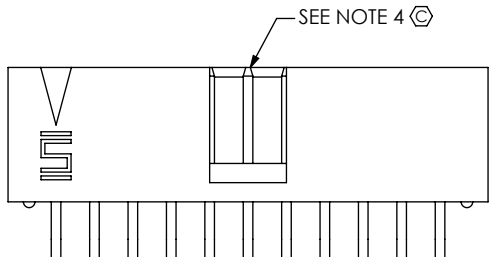
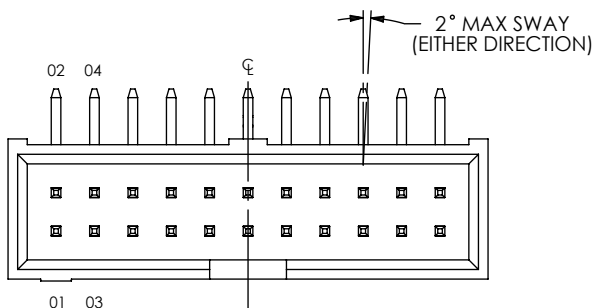


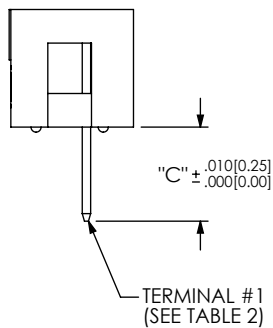
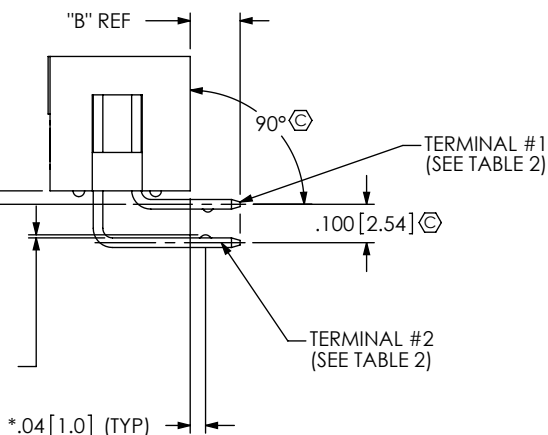
FIG 2
-RA & -LA OPTIONS
(HTSS-111-04-XX-D-LA SHOWN)
(SAME AS FIG 1, UNLESS OTHERWISE STATED)



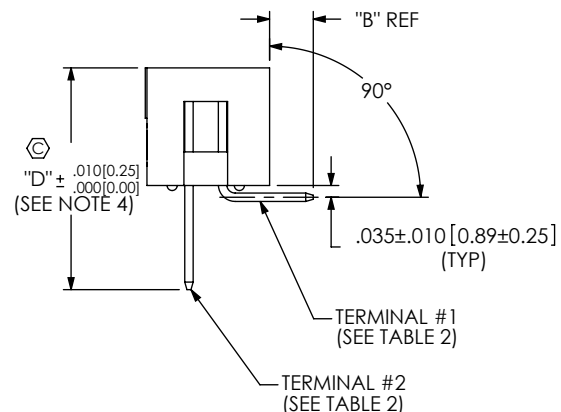
.035±.010 [0.89±0.25] (TYP)

⊙*.0080 [0.20] (TYP)

* DIMENSIONS APPLY WHEN USING -LA OPTION ONLY



IN-PROCESS 1

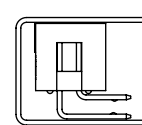


IN-PROCESS 2

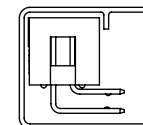
TUBE: PT-1-24-02-112
PLUG: TP-28

TUBE: PT-1-24-01-91
PLUG: TP-28

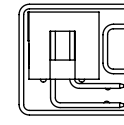
TUBE: PT-1-24-01-40
PLUG: TP-13



FOR -05(3-4) POS



FOR -05(5-36) POS



FOR -04

PACKAGING VIEW FOR LEAD STYLES -04 & -05

Packaging Table			
Lead Style	Packaging	TUBE	PLUG
-01	Bulk	N/A	N/A
-02	Bulk	N/A	N/A
-03	Bulk	N/A	N/A
-04	Tube	PT-1-24-01-40	TP-13
-05	Tube(3-4POS)	PT-1-24-02-112	TP-28
	Tube(5-36POS)	PT-1-24-01-91	TP-28

TABLE 2					
LEAD STYLE	"B"	"C"	"D"	TERMINAL #1	TERMINAL #2
-04	.130[3.30]	.280[7.11]	.830[21.08]	T-1S6-15-XX-2	T-1S6-10-XX-2
-05	.230[5.84]	.380[9.65]	.930[23.62]	T-1S6-09-XX-2	T-1S6-11-XX-2

PROPRIETARY NOTE

THIS DOCUMENT CONTAINS INFORMATION CONFIDENTIAL AND PROPRIETARY TO SAMTEC, INC. AND SHALL NOT BE REPRODUCED OR TRANSFERRED TO OTHER DOCUMENTS OR DISCLOSED TO OTHERS OR USED FOR ANY PURPOSE OTHER THAN THAT WHICH IT WAS OBTAINED WITHOUT THE EXPRESSED WRITTEN CONSENT OF SAMTEC, INC.

DO NOT SCALE DRAWING

SHEET SCALE: 2:1



520 PARK EAST BLVD, NEW ALBANY, IN 47150
PHONE: 812-944-6733 FAX: 812-948-5047
e-Mail: info@SAMTEC.com code: 55322

DESCRIPTION:
HIGH TEMP TOP SHROUD TERMINAL STRIP

DWG. NO.
HTSS-1XX-XX-XX-D-XX-XX

BY: BRATCHER 01/20/04

SHEET 2 OF 2

X-ON Electronics

Largest Supplier of Electrical and Electronic Components

Click to view similar products for [Headers & Wire Housings](#) category:

Click to view products by [Samtec](#) manufacturer:

Other Similar products are found below :

[95000-104TRLF](#) [10135584-644402LF](#) [DF62W-EP2022PCA](#) [95000-106TRLF](#) [DF62W-2022SCA](#) [DF62W-EP2022PC](#) [2203348](#) [DF62W-2022SC](#) [1084018](#) [1029039](#) [1084017](#) [802-10-012-10-002000](#) [1112640](#) [1112639](#) [000-34000](#) [0009482033](#) [0009507031](#) [57102-S06-03LF](#) [57202-S52-04LF](#) [PCN6-15S-2.5E](#) [0039019024](#) [58102-G61-06LF](#) [582553-1](#) [0009485154](#) [0009508121](#) [0022285053](#) [0050291907](#) [018731A](#) [LY20-4P-DT1-P1E-BR](#) [02.125.8002.8](#) [60101931](#) [60598-1 \(Cut Strip\)](#) [M1625-3R/100](#) [61062-3](#) [61082-181009](#) [636-1427](#) [638009-1](#) [641938-9](#) [641991-4](#) [644168-1](#) [647662-1](#) [65039-019ELF](#) [65817-002LF](#) [65817-015LF](#) [65863-015LF](#) [66207-023LF](#) [67016-026LF](#) [67046-001LF](#) [67095-007LF](#) [67230-005LF](#)