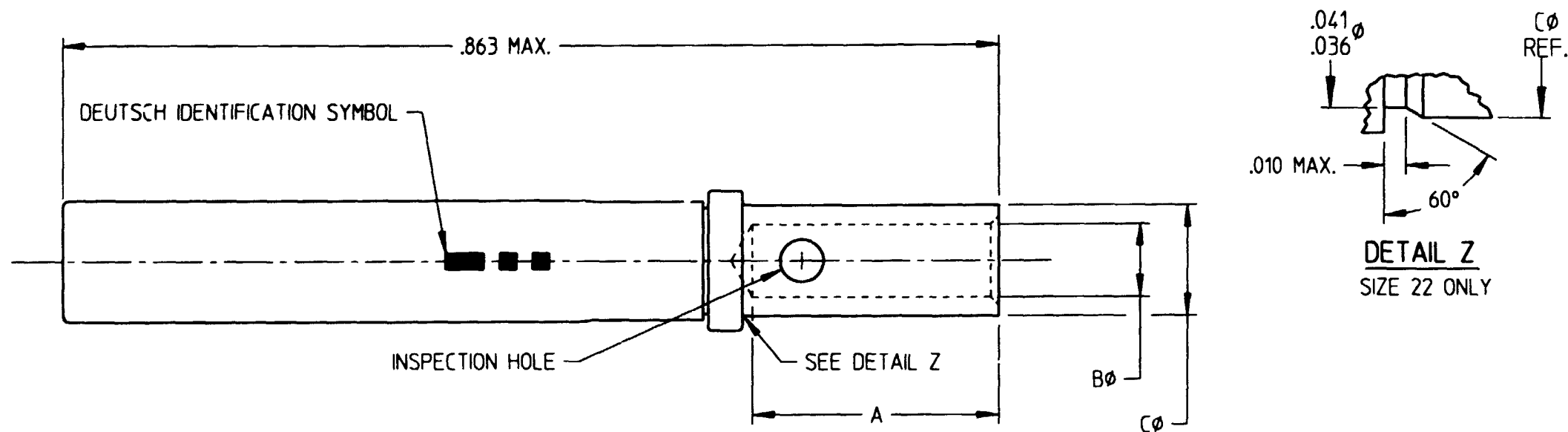


**PROPERTY OF DEUTSCH E.C.D.**  
 This drawing contains proprietary information that shall not be disclosed, duplicated,  
 nor used in whole or in part for any purpose other than to evaluate this drawing.

A	BVD-##S	REVISIONS			
		REV	DESCRIPTION	DATE	APPROVED
		A	REVISED PER E.O. C2048	6-73-95	



DEUTSCH PART NO. **	SIZE	WIRE GAGE RANGE	RECOMMENDED STRIP LENGTH	A MIN.	B MIN.	C MAX.
BVD-22S	22	22, 24, 26, 28	.160 TO .190	.141	.0335	.048
BVD-20S	20	20, 22, 24	.230 TO .260	.209	.046	.070
BVD-16S	16	16, 18, 20	.230 TO .260	.209	.066	.103
BVD-12S	12	12 AND 14	.230 TO .260	.209	.098	.151

3. MATERIAL SOCKET BODY - COPPER ALLOY.  
SOCKET HOOD - STAINLESS STEEL.
2. FINISH NICKEL OVER COPPER.
1. DIMENSIONS ARE IN INCHES UNLESS OTHERWISE SPECIFIED.

SIGNATURE & DATE		CONTACT, SOCKET CRIMP TYPE	CP	MATL. CODE
DR	HARRINGTON 1-7-93		DEUTSCH ENGINEERED CONNECTING DEVICES	
CHK	Jo POWELL 2-24-93	SIZE 22 THRU 12 FOR BVD SERIES	36033 Whittier Ave. Hemet, California	
PE	1-7-93	ENVELOPE	A	BVD-##S
APPD			DWG. SIZE	SHEET 1 OF 1
SCALE	NONE			

BVD-XXS-ENV\_A

## X-ON Electronics

Largest Supplier of Electrical and Electronic Components

*Click to view similar products for [Automotive Connectors](#) category:*

*Click to view products by [TE Connectivity](#) manufacturer:*

Other Similar products are found below :

[003-018-000](#) [600858](#) [60403001](#) [60993906-B](#) [60993913-B](#) [629515004020001](#) [M902-2131](#) [M902-2161](#) [M902-2344](#) [72.330.1035.1](#)  
[73.353.4028.0](#) [F118010](#) [F119300-B](#) [F132210](#) [F132210-B](#) [F166900](#) [F180100](#) [F258300](#) [F258300-B](#) [F294300-B](#) [F339100](#) [F339700](#) [F358300-](#)  
[B](#) [F374110](#) [F407400](#) [F412210](#) [F427600](#) [F444110](#) [F487000](#) [F495100-B](#) [F500900-B](#) [F509500B-B](#) [770444-1](#) [776880-1](#) [827153-1](#) [881735-1](#)  
[8N1515-32-24P](#) [9-1326729-8](#) [925467-1](#) [925474-1](#) [928905-1](#) [936398-2](#) [964562-1](#) [964562-4](#) [964731-2](#) [965051-1](#) [968782-1](#) [GT17SA-8DS-](#)  
[HU](#) [GT17VS-10DP-5.2CF](#) [98315-0001](#)