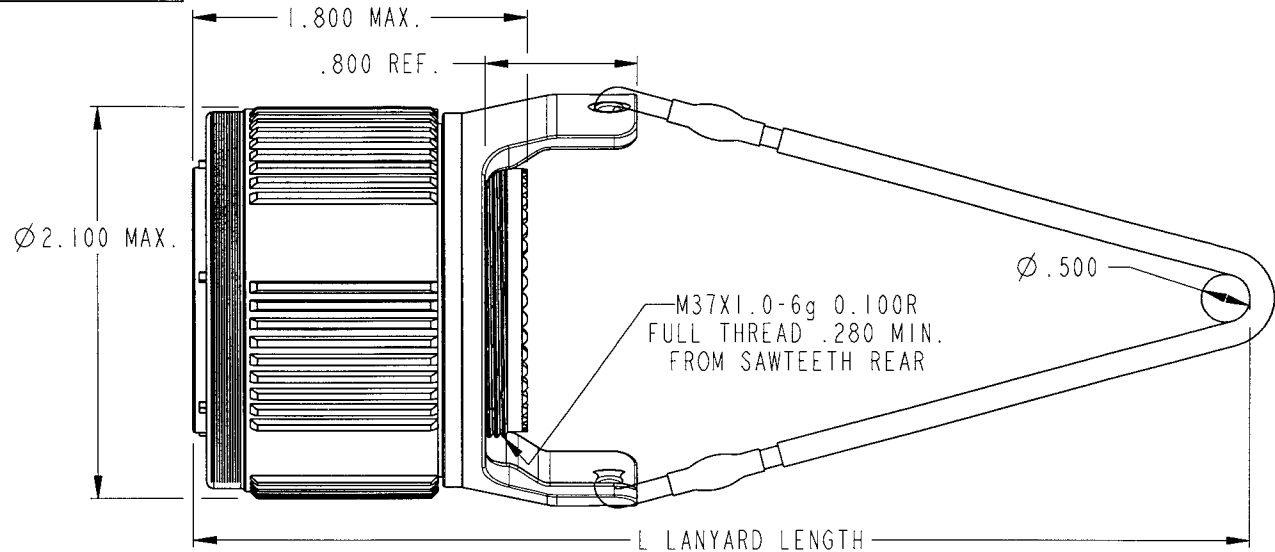
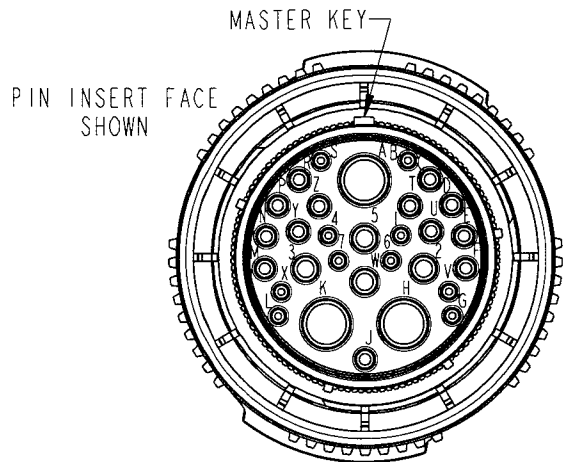


PROPERTY OF DEUTSCH E.C.D.

This drawing contains proprietary information that shall not be disclosed, duplicated, nor used in whole or in part for any purpose other than to evaluate this drawing.

B 59118W(\*), 20PN-(\*\*)<sub>2</sub>

REVISIONS		DATE	APPROVED
REV	DESCRIPTION		
B	CHANGED PER E.O. C6409	05/20/02	JPT



59118 W \* 20 P N-\*\*

- LANYARD LENGTH CODE  
SEE TABLE FOR LENGTH
- KEYING POSITIONS N)  
(POSITION N = NORMAL)
- CONTACT P = PIN, S = SOCKET
- ARRANGEMENT 20 = 1760 TYPE
- CUSTOMER CODE
- S = -22 ONLY, J = ALL OTHER LENGTH CODES
- FINISH W = OLIVE DRAB CADMIUM
- IDENTIFIER - CONNECTOR PLUG LANYARD RELEASE  
WITH SPECIAL LANYARD RING

4. CONNECTOR SIMILAR TO D38999/31 TYPE 5.

3. FOR APPLICABLE KEYING DIAGRAM SEE MIL-DTL-38999.  
FOR INSERT ARRANGEMENT SEE MIL-STD-1560 (SHELL SIZE 25 ONLY).  
FOR AVAILABILITY CONSULT FACTORY.

2. MATERIAL / FINISH:
- SHELL - COMPOSITE, PLATED.
  - COUPLING RING - COMPOSITE, UNPLATED (BLACK).
  - LANYARD RING - ALUMINUM ALLOY, BLACK ANODIZED.
  - LANYARD COVER - TEFLON, NATURAL.
  - LANYARD - KEVLAR, NATURAL.
  - SNAP RINGS - STAINLESS STEEL, PASSIVATED.
  - WAFER SPRING - STAINLESS STEEL, PASSIVATED.
  - R.F.I. STRIP - COPPER ALLOY, PLATED.
  - CONTACTS - COPPER ALLOY, GOLD PLATED.
  - RESILIENT INSERTS - SILICONE, ELASTOMER.
  - PLASTIC INSERTS - THERMOPLASTIC.

1. ALL DIMENSIONS ARE IN INCHES UNLESS OTHERWISE SPECIFIED,  
THREAD CALLOUT IS METRIC.

PART NUMBER * **	L LENGTH CODE (**) <sub>2</sub>	L ± .25
59118WJ20PN-04	04	4.50
59118WJ20PN-06	06	6.50
59118WJ20PN-18	18	12.50
59118WS20PN-22	22	16.25

SIGNATURE & DATE	
DR	D. WHITACRE 10/24/2002
CHK	J. FRIEDHOF 7/18/2003
PE	D. WHITACRE 10/24/2002
APPD	<i>[Signature]</i> 12/3/02
SCALE	NONE WT

PLUG, CONNECTOR  
THREADED COUPLING  
ANTI-ROTATION LANYARD RELEASE  
THICK NOSE  
ACT SERIES SIZE 25

ENVELOPE

CP	MATL CODE
	DEUTSCH ENGINEERED CONNECTING DEVICES 5733 W. Whittier Ave. Hemet, California
A	59118W(*), 20PN-(**) <sub>2</sub>
DWG SIZE	CODE 17139
SHEET	OF

## X-ON Electronics

Largest Supplier of Electrical and Electronic Components

*Click to view similar products for [Automotive Connectors](#) category:*

*Click to view products by [TE Connectivity](#) manufacturer:*

Other Similar products are found below :

[003-018-000](#) [600858](#) [60403001](#) [60993906-B](#) [60993913-B](#) [629515004020001](#) [M902-2131](#) [M902-2161](#) [M902-2344](#) [72.330.1035.1](#)  
[73.353.4028.0](#) [F118010](#) [F119300-B](#) [F132210](#) [F132210-B](#) [F166900](#) [F180100](#) [F258300](#) [F258300-B](#) [F294300-B](#) [F339100](#) [F339700](#) [F358300-](#)  
[B](#) [F374110](#) [F407400](#) [F412210](#) [F427600](#) [F444110](#) [F487000](#) [F495100-B](#) [F500900-B](#) [F509500B-B](#) [770444-1](#) [776880-1](#) [827153-1](#) [881735-1](#)  
[8N1515-32-24P](#) [9-1326727-8](#) [9-1326729-8](#) [925467-1](#) [925474-1](#) [928905-1](#) [936398-2](#) [964562-1](#) [964562-4](#) [964731-2](#) [965051-1](#) [968782-1](#)  
[GT17SA-8DS-HU](#) [GT17VS-10DP-5.2CF](#)