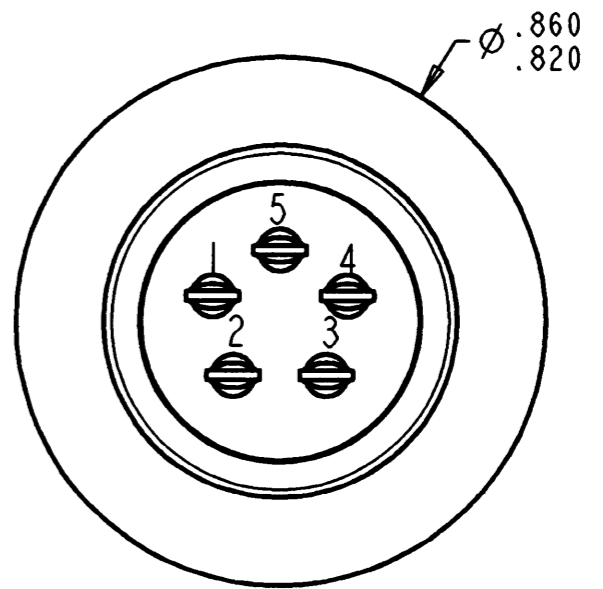
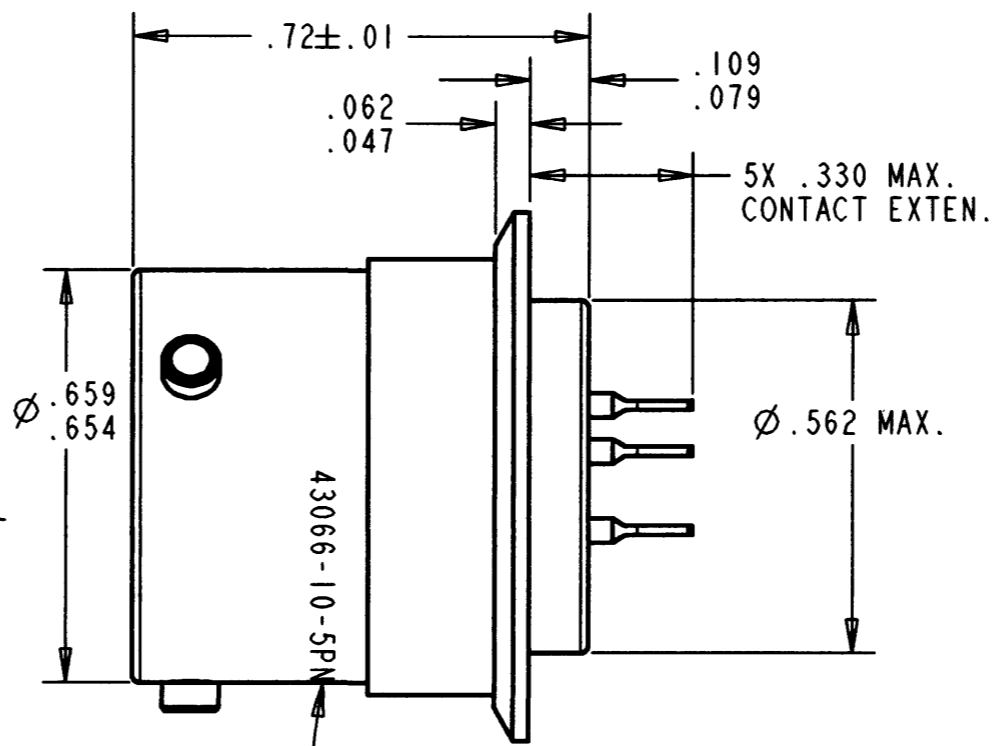
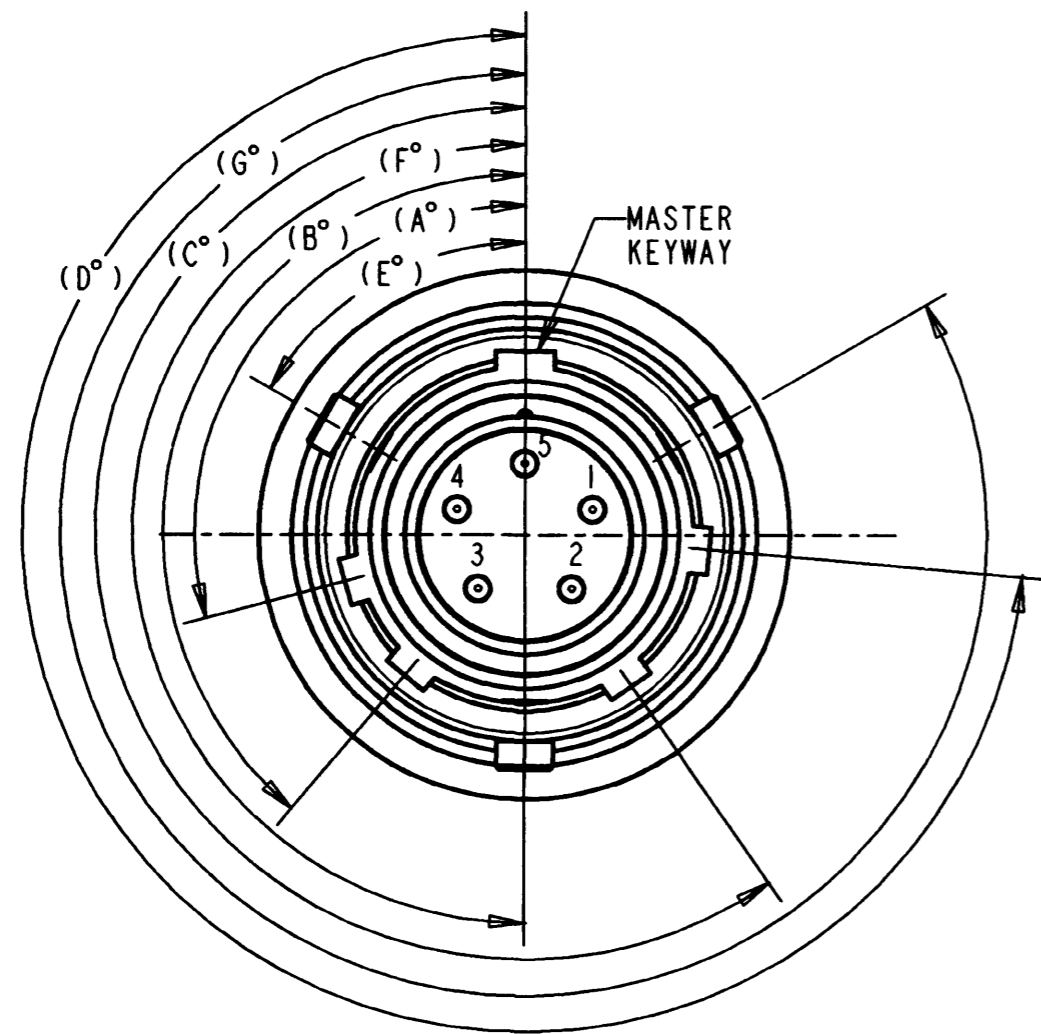


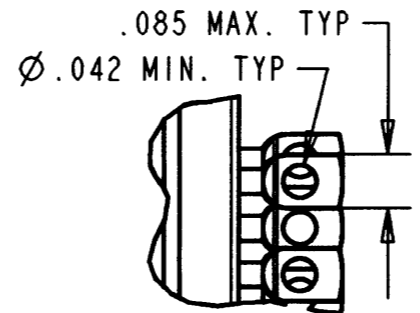
PROPERTY OF DEUTSCH E.C.D  
 THIS DRAWING CONTAINS PROPRIETARY INFORMATION THAT SHALL NOT BE DISCLOSED, DUPLICATED,  
 NOR USED IN WHOLE OR IN PART FOR ANY PURPOSE OTHER THAN TO EVALUATE THIS DRAWING.

N/C 43066-10-5P\*

REVISIONS			
REV	DESCRIPTIONS	DATE	APPROVED
N/C	NEW RELEASE PER E.O.H2929	1/17/2000	[Signature]



MFG. P/N LOC.



KEYING POSITIONS:

PART No.	#	POS.	A°	B°	C°	D°	E°	F°	G°
43066-10-5PN	N		105	140	215	265	60	180	300
43066-10-5P6	6		102	132	248	320	46	166	286
43066-10-5P7	7		80	118	230	312	46	166	286
43066-10-5P8	8		35	140	205	275	60	180	300
43066-10-5P9	9		64	155	234	304	89	209	329
43066-10-5PY	Y		25	115	220	270	60	180	300

FILE: 43066-10-5PX-ENV

- DIMENSIONS ARE IN INCHES UNLESS OTHERWISE SPECIFIED.
  - INSERT ARRANGEMENT PER MIL-STD-1554
  - LEAK RATE: <math>1E-8</math> cc/sec He @ 1 atm.
  - INSULATION RESISTANCE: >5000 MEGOHM @ 500 VDC  
DIELECTRIC WITHSTANDING VOLTAGE: NO BREAKDOWN @ 1500 VAC
  - MATERIAL:  
SHELL - 316L STAINLESS STEEL  
INSULATOR - GLASS INSERT  
CONTACT - 52 HIGH NICKEL-IRON ALLOY  
INTERFACIAL SEAL - SILICONE ELASTOMER
  - FINISH:  
SHELL - PASSIVATION  
CONTACT - TIN OVER NICKEL PLATING
  - DEUTSCH PLUG MATER: DL66G-10-5S\*
- NOTE(S):

	SIGNATURE & DATE
DR	F. BAUTISTA 1-14-00
CHK	[Signature] 1/17/2000
PE	[Signature] 1/17/00
APPD	[Signature] 1/17/00
SCALE:	

RECEPTACLE, CONNECTOR  
 WELD FLANGE MOUNT  
 BAYONET COUPLING  
 MIL-C-26500 TYPE  
 10-5 ARR.  
 5 SIZE 20 EYELETS  
 ENVELOPE

CP	MATL CODE 74
<b>DEUTSCH</b> HERMETIC PRODUCTS OPERATION 250 Eddie Jones Way Oceanside, CA 92054	
<b>B</b>	43066-10-5P*
DWG SIZE	CAGE CODE 11139 SHEET 1 OF 1

## X-ON Electronics

Largest Supplier of Electrical and Electronic Components

*Click to view similar products for [Rectangular MIL Spec Connectors](#) category:*

*Click to view products by [TE Connectivity](#) manufacturer:*

Other Similar products are found below :

[006-1169-16](#) [CSR31343-0001-00000](#) [CSR31346-0001-A0001](#) [CSR31899-0001-00000](#) [CSR31900-0001-A0001](#) [CTJ-3D-05](#) [CTS-S16/16](#)  
[M55302/57A36X](#) [M55302/58-A70Y](#) [65002-062](#) [65008-D08](#) [CY4602-000](#) [732-8020-01](#) [732-8021-02 B](#) [77058-22-55PN](#) [81542-20](#)  
[86.030.0053.0](#) [1241346-1](#) [RM252-020-311-2900](#) [DMC-M 08-16 SNE](#) [1589051-4](#) [BACC65CAMA](#) [BACC65CAMN](#) [BACC65CP1PN](#)  
[BACI10BC1220PN](#) [18023-9](#) [HSB-D4S03DM222X](#) [2217548-1](#) [891-009-15SA2-BRT1T](#) [SIM2S100A](#) [1604996-2](#) [SMD25PN90L-4055](#)  
[1925036-4](#) [220A012-25225-0](#) [22628-10-6P-791](#) [CSR31343-0001-A0001](#) [CSR31899-0001-A0001](#) [CSR31900-0001-00000](#) [33526M11-08PD](#)  
[RE04-212S](#) [CTD160E01F-6148](#) [CTJ112E03B](#) [CTJ122E02D-8000](#) [CTJ-3D-12](#) [CTJ920E06N-513](#) [CTJ920E12N-513](#) [CTL-16-090](#) [CTR06-](#)  
[5100SY](#) [M55302/63A20H](#) [M55302/66-30H](#)