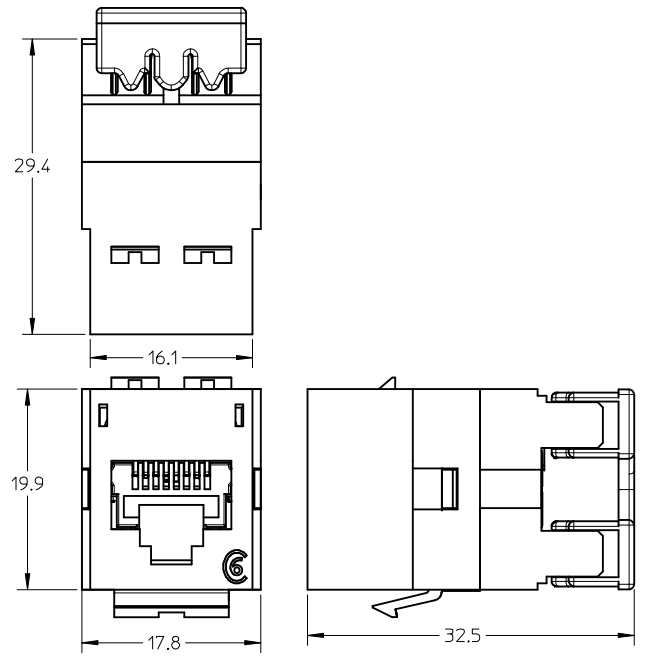
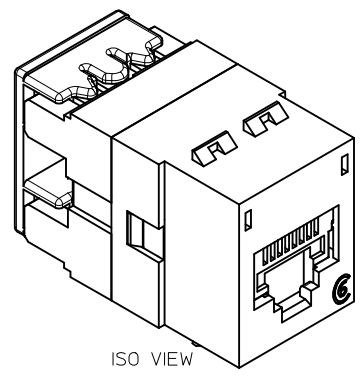


10 9 8 7 6 5 4 3 2 1



NOTES:
 1. MATERIALS :
 - JACK HOUSING : POLYCARBONATE (PC), UL94V-0
 - JACK CONTACT : COPPER ALLOY
 - IDC HOUSING : POLYCARBONATE (PC), UL94V-0
 - IDC : COPPER ALLOY
 2. FINISHES :
 - JACK CONTACT : SELECTIVE GOLD (Au) IN CONTACT AREA; THICKNESS = 50 MICROINCH MINIMUM; NICKEL (Ni) UNDERPLATE OVERALL; THICKNESS = 50 MICROINCH MINIMUM.
 - IDC : NICKEL (Ni), UNDERPLATE, THICKNESS = 50 MICROINCH MINIMUM; TIN (Sn), THICKNESS = 100 MICROINCH MINIMUM.
 3. PACKAGING :
 - JACK AND STUFFER CAP ARE SHOWN IN ASSEMBLED CONDITION WHERE AS THEY ARE PACKED INDIVIDUALLY IN A POLY BAG WITH LABEL AND INSTALLATION INSTRUCTIONS PRINTED ON THE POLY BAG.



ISO VIEW

MPN NO	SAP NO	DESCRIPTION
KSJ-00018-01	181970083	DATAGATE + JACK CAT6 8W 568A/B-SHTR-ALM
KSJ-00018-02	181970080	DATAGATE + JACK CAT6 8W 568A/B-SHTR-WHT
KSJ-00018-08	181970085	DATAGATE + JACK CAT6 8W 568A/B-SHTR-GRY
KSJ-00018-04	181970081	DATAGATE + JACK CAT6 8W 568A/B-SHTR-BLK
KSJ-00018-05	181970084	DATAGATE + JACK CAT6 8W 568A/B-SHTR-IVY
KSJ-00018-RG	181970089	DATAGATE + JACK CAT6 8W 568A/B-SHTR-ORG
KSJ-00018-GR	181970087	DATAGATE + JACK CAT6 8W 568A/B-SHTR-GRN
KSJ-00018-PP	181970082	DATAGATE + JACK CAT6 8W 568A/B-SHTR-PRPL
KSJ-00018-BL	181970086	DATAGATE + JACK CAT6 8W 568A/B-SHTR-BLU
KSJ-00018-YL	181970090	DATAGATE + JACK CAT6 8W 568A/B-SHTR-YLW
KSJ-00018-RD	181970088	DATAGATE + JACK CAT6 8W 568A/B-SHTR-RED

MPN NO.	SAP NO.	DESCRIPTION
KSJ-00018-02-I	181970250	DATAGATE + JACK CAT6 8W 568A/B-SHTR-WHT-INDIA
KSJ-00018-04-I	181970251	DATAGATE + JACK CAT6 8W 568A/B-SHTR-BLK-INDIA
KSJ-00018-PP-I	181970252	DATAGATE + JACK CAT6 8W 568A/B-SHTR-PRPL-INDIA
KSJ-00018-01-I	181970253	DATAGATE + JACK CAT6 8W 568A/B-SHTR-ALM-INDIA
KSJ-00018-05-I	181970254	DATAGATE + JACK CAT6 8W 568A/B-SHTR-IVY-INDIA
KSJ-00018-08-I	181970255	DATAGATE + JACK CAT6 8W 568A/B-SHTR-GRY-INDIA
KSJ-00018-BL-I	181970256	DATAGATE + JACK CAT6 8W 568A/B-SHTR-BLU-INDIA
KSJ-00018-GR-I	181970257	DATAGATE + JACK CAT6 8W 568A/B-SHTR-GRN-INDIA
KSJ-00018-RD-I	181970258	DATAGATE + JACK CAT6 8W 568A/B-SHTR-RED-INDIA
KSJ-00018-RG-I	181970259	DATAGATE + JACK CAT6 8W 568A/B-SHTR-ORG-INDIA
KSJ-00018-YL-I	181970260	DATAGATE + JACK CAT6 8W 568A/B-SHTR-YLW-INDIA

ENTER DESCRIPTION EC NO: MTS2016-0054 DRW: NBP CHKD: NKUMAR02 APPR: PCG	2017/08/08	DESCRIPTION REV	QUALITY SYMBOLS
	2017/08/17		$F_A=0$
	2017/08/31		$F_B=0$
			$F_C=0$

GENERAL TOLERANCES (UNLESS SPECIFIED)		DIMENSION STYLE MM ONLY		SCALE 2:1	DESIGN UNITS METRIC	THIRD ANGLE PROJECTION
	mm	INCH	DRAWN BY KGAJULA	DATE 2005/09/15	TITLE JACK C6, GSC, PACKAGED	
4 PLACES	± ---	± ---	CHECKED BY JKUMAR	DATE 2005/09/15	molex	
3 PLACES	± ---	± ---	APPROVED BY JKUMAR	DATE 2005/09/15		
2 PLACES	± ---	± ---	MATERIAL NO.	DOCUMENT NO.		
1 PLACE	± 0.51	± ---	SEE CHART		SD-18197-001	SHEET NO. 1 OF 1
0 PLACE	±	±	DRAFT WHERE APPLICABLE MUST REMAIN WITHIN DIMENSIONS		THIS DRAWING CONTAINS INFORMATION THAT IS PROPRIETARY TO MOLEX INCORPORATED AND SHOULD NOT BE USED WITHOUT WRITTEN PERMISSION	

9 8 7 6 5 4 3 2 1

X-ON Electronics

Largest Supplier of Electrical and Electronic Components

Click to view similar products for [Modular Connectors](#) / [Ethernet Connectors](#) category:

Click to view products by [Molex](#) manufacturer:

Other Similar products are found below :

[RJE231881317T](#) [MP1010RX-1000](#) [MP44RX-1000](#) [GAX-3-66](#) [GAX-8-62](#) [93606-0253](#) [GD-A-44](#) [GDCX-PA-66-50](#) [GDCX-PN-64](#) [GDCX-PN-66](#) [GDCX-PN-66-50](#) [GDLX-A-66](#) [GDLX-A-88](#) [GDLX-N-66](#) [GDLX-S-88K](#) [GDTX-S-88-50](#) [GDX-PA-1010](#) [GLX-N-1010M-BLK](#) [GLX-N-44M](#) [GLX-S-88M-BLK](#) [GMX-N-1010](#) [GMX-S-1010](#) [GMX-S-66](#) [GMX-SMT2-N-1010](#) [GMX-SMT2-N-64-50](#) [GMX-SMT2-S6-88](#) [GMX-SMT4-N-88](#) [GPX-2-64](#) [GRT1-BT1-5](#) [GSGX-N-2-88](#) [GSX-NS2-88-3.05](#) [GSX-NS2-88-3.05-50](#) [GSX-NS-88-3.05-30](#) [GSX-NS-88-3.05-50](#) [GSX-NS-88-3.68](#) [1-1775629-2](#) [GWLX-S-88-GR](#) [GWLX-S9-88-YG](#) [1300500326](#) [1300500227](#) [1300530003](#) [1300570002](#) [1324640-4](#) [RJ11FTVC2G](#) [RJ11FTVC2N](#) [RJFTVX2SA1G](#) [132764-001](#) [1400000](#) [1413176](#) [1413235](#)