

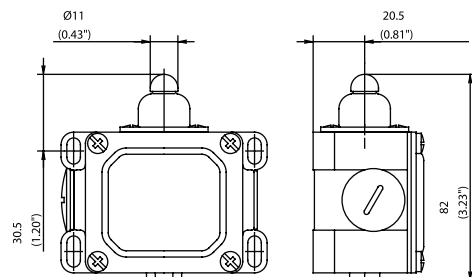
# Enclosed Metal Body Limit Switches



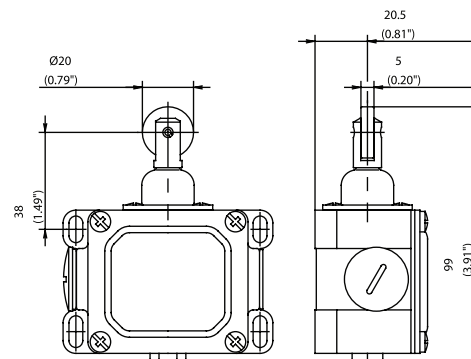
## D Series



### W



### RW



Switching Operation	Slow Action	Snap Action	Slow Action	Snap Action
<b>1 NC / 1 NO Contacts</b>	<b>604.1103.002</b> D-U1 W 	<b>604.1153.156</b> D-SU1 W 	<b>604.1118.229</b> D-U1Z RW 	<b>604.1168.162</b> D-SU1 RW 
<b>2 NC Contacts</b>	<b>604.1803.090</b> D-A2 W 	-	<b>604.1818.741</b> D-A2Z RW 	-
<b>2 NO Contacts</b>	<b>604.1803.046</b> D-E2 W 	-	<b>604.1818.052</b> D-E2 RW 	-
<b>1 NC / 1 NO Contacts Overlapping</b>	<b>604.1303.134</b> D-UV1Z W 	-	<b>604.1318.140</b> D-UV1Z RW 	-

### Replacement actuator:

Technical Information	Slow Action		Snap Action	
	Slow Action	Snap Action	Slow Action	Snap Action
Maximum Switching Voltage	240V	240V	240V	240V
Max. Switching Amps (up to)*	10A	10A	10A	10A
B10d (up to)*	20 Million	20 Million	20 Million	20 Million
Mechanical Service Life (up to)*	10 x 10 <sup>6</sup>	10 x 10 <sup>6</sup>	10 x 10 <sup>6</sup>	10 x 10 <sup>6</sup>
Switching Frequency	≤ 100/min	≤ 100/min	≤ 100/min	≤ 100/min
Operating Temperature	-30 °C to +80 °C	-30 °C to +80 °C	-30 °C to +80 °C	-30 °C to +80 °C
Protection Rating	IP65	IP65	IP65	IP65
Utilization Category (up to)*	AC-15, Ue/Ue 240V 3A	AC-15, Ue/Ue 240V 3A	AC-15, Ue/Ue 240V 3A	AC-15, Ue/Ue 240V 3A
Rate Insulation Voltage	400VAC	400VAC	400VAC	400VAC

Approvals

\* Depending on switching system - see technical information for details



### Special features/variants (on request)

- Also available with following contacts:  
3 NC contacts (larger enclosure)  
3 NO contacts (larger enclosure)  
2 NC / 2 NO contact (larger enclosure)

### Special features/variants (on request)

- Also available with following contacts:  
3 NC contacts (larger enclosure)  
3 NO contacts (larger enclosure)  
2 NC / 2 NO contact (larger enclosure)

Drawing dimensions in mm

## X-ON Electronics

Largest Supplier of Electrical and Electronic Components

*Click to view similar products for [Limit Switches](#) category:*

*Click to view products by [Altech](#) manufacturer:*

Other Similar products are found below :

[6LS2-4PG](#) [5ML1-E1](#) [5ML31](#) [LZG1](#) [LZL1-6C](#) [622EN114-R](#) [622EN18-6](#) [622EN224-6B](#) [622EN230](#) [622EN237-R](#) [622EN69-3](#) [622EN85-RB](#)  
[MA-10019](#) [6PA109](#) [7LS51](#) [83547001](#) [83725002](#) [83830001](#) [83840001](#) [83840701](#) [83841001](#) [83870104](#) [83881140](#) [8AS42](#) [8LS10](#) [8LS125-](#)  
[4PG](#) [8LS152-4PGN20](#) [914CE16-3A](#) [914CE16-AQ](#) [914CE3-3L1](#) [915PA10](#) [91MCE16-P2O](#) [924CE16-Y3](#) [924CE1-S6](#) [924CE1-T25A](#)  
[924CE1-T3](#) [924CE1-T9A](#) [924CE2-T9](#) [924CE31-Y20-X5](#) [924CE31-Y3L1](#) [GL-10054](#) [GL-85710](#) [GL-85714](#) [GLAB26J2B](#) [GLDB03C-6](#)  
[GLZ324](#) [PS21R-NT11N7-YK0](#) [D4A-1106N](#) [D4A1201N](#) [D4A-3E02N](#)