

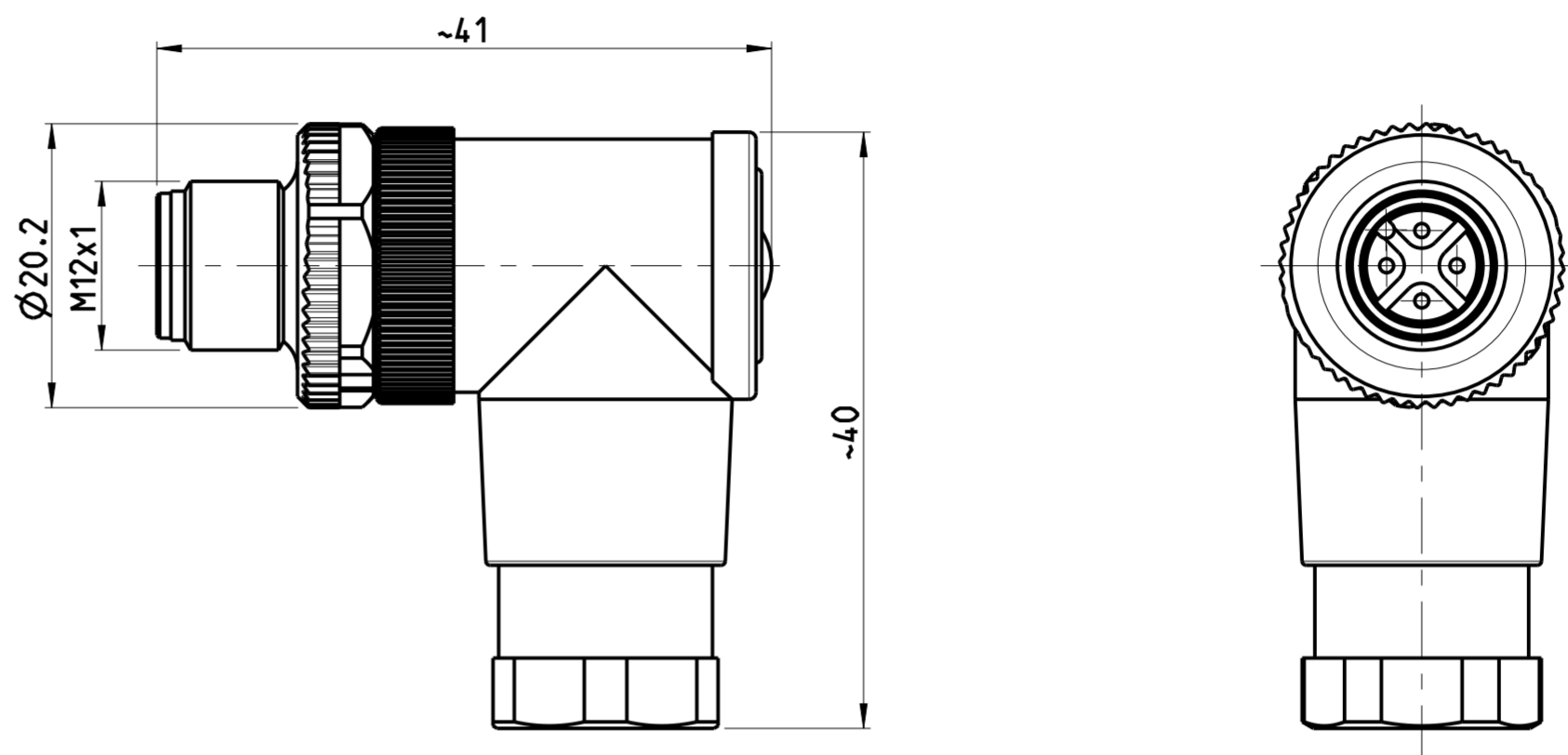
THIS DRAWING IS UNPUBLISHED. VERTRÄGLICHE UNVERPFLICHTETE ZEICHNUNG. RELEASED FOR PUBLICATION FREI FÜR VERÖFFENTLICHUNG. 2014. DATED WITH PASSEND ZU. COPYRIGHT 2014. Tyco Electronics AMP GmbH. ALL RIGHTS RESERVED. ALLE RECHTE VORBEHALTEN.

PROJECT NO.: PRJ-14-00000805

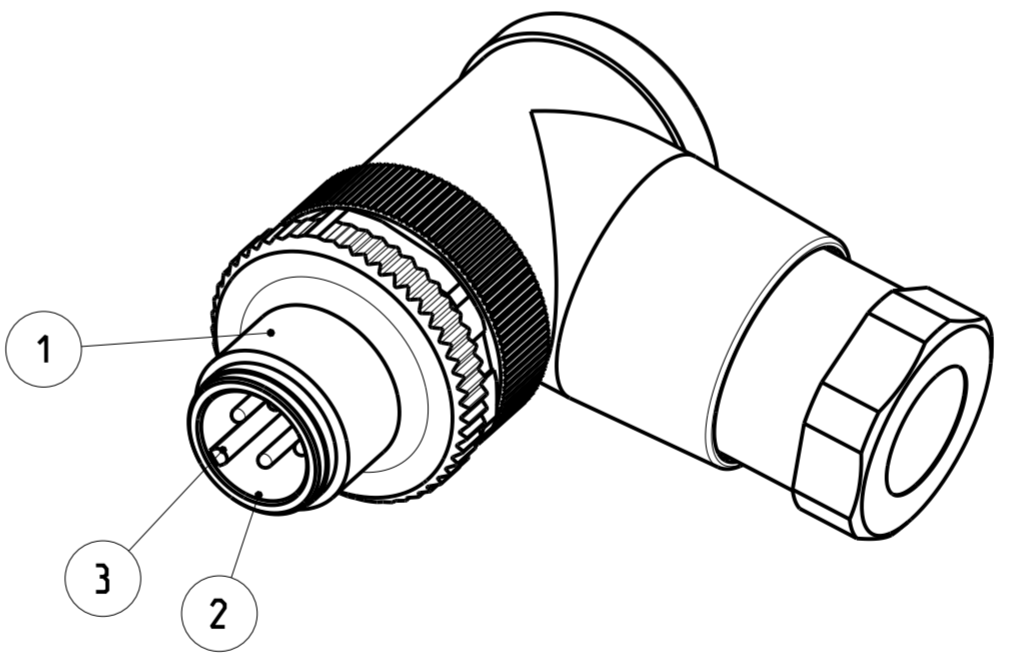
P	LTR	REVISIONS ÄNDERUNGEN DESCRIPTION BESCHREIBUNG	DATE	DWN	APVD
	A2	DESCRIPTION CORRECTED FROM SOLDER TO SCREW TERMINAL IN TITLE BLOCK	13NOV2014	CR	JK

1 MATERIAL: ITEM NO. 1: HOUSING - PA/ZINC DIECASTING, NICKEL PLATED, PA
 ITEM NO. 2: CONTACT BODY - PA
 ITEM NO. 3: CONTACT - CuZn (brass)
 CONTACT FINISH - CuSnZn (Optalloy)

- 2 ALL DIMENSIONS ARE FOR NOMINAL REFERENCE ONLY UNLESS OTHERWISE STATED
- 3 MEASUREMENT REFERENCE ONLY
- 4 PACKAGING: 1 PIECE IN A BAG



TECHNICAL DATA	3-2271124-1	3-2271124-2	4-2271124-1	4-2271124-2
RATED VOLTAGE	250V	250V	125V	125V
RATED IMPULSE VOLTAGE	2500V	2500V	1500V	1500V
POLLUTION DEGREE	3	3	3	3
OVERVOLTAGE CATEGORY	II	II	II	II
MATERIAL GROUP	II	II	II	II
RATED CURRENT	4A	4A	4A	4A
VOLUME RESISTIVITY	≤ 8mΩ	≤ 8mΩ	≤ 8mΩ	≤ 8mΩ
DEGREE OF PROTECTION	IP67	IP67	IP67	IP67
UPPER TEMPERATURE	+85 °C	+85 °C	+85 °C	+85 °C
LOWER TEMPERATURE	-40 °C	-40 °C	-40 °C	-40 °C



3-2 AS SHOWN WIE GEZEICHNET

PIN ARRANGEMENT B-CODING (SCALE 2:1)

3-2271124-1	3-2271124-2	4-2271124-1	4-2271124-2

CABLE FEED-THROUGH mm	WIRES AWG / mm²	MATERIAL	NUMBER OF POLES	TE-PART-NO.
6-8	18 / 0.75mm²	△	5	4-2271124-2
4-6	18 / 0.75mm²	△	5	4-2271124-1
6-8	18 / 0.75mm²	△	4	3-2271124-2
4-6	18 / 0.75mm²	△	4	3-2271124-1

DIESE ZEICHNUNG IST EIN KONTROLLIERTES DOKUMENT. BEMASSUNGEN UND TOLERANZEN GEMAESS GPS (ISO STANDARDS). THIS DRAWING IS A CONTROLLED DOCUMENT. DIMENSIONING AND TOLERANCING PER GPS (ISO STANDARDS).

DWN YASHKUMAR 15MAY2014
 CHK M.STRELOW 15MAY2014
 APVD C.SCHREITLINGER 15MAY2014
 NAME M12 MALE 90 DEG ANGLED FIELD INSTALLABLE, UNSHIELDED CONNECTOR, SCREW TERMINALS, B-CODING
 PRODUCT SPEC 108-19483
 APPLICATION SPEC 114-32127
 WEIGHT -
 Customer Drawing /KUNDENZEICHNUNG SCALE MASSSTAB 2:1 SHEET BLATT 1 OF 1 REV A2

STE TE Connectivity
 SIZE A2 CAGE CODE 00779 DRAWING NO. C-2271124

SIZE ISO 14405 (E)

X-ON Electronics

Largest Supplier of Electrical and Electronic Components

Click to view similar products for [Circular Metric Connectors](#) category:

Click to view products by [TE Connectivity](#) manufacturer:

Other Similar products are found below :

[1424048](#) [1021212](#) [600X518037X](#) [6STD09SAM99B70X](#) [6STD15PCR99B70A](#) [8R4000A16M020](#) [1200910002](#) [1201150041](#) [1203580030](#)
[1200700064](#) [1200700263](#) [1200700416](#) [1200730102](#) [1200770002](#) [1-2823588-2](#) [130203-0054](#) [1300140026](#) [1300150099](#) [1-3637-600-5205](#)
[1545399](#) [1594331](#) [1600413](#) [1612606](#) [1612618](#) [1614660](#) [1A4000-348](#) [CA06EW24-10P-B-03](#) [21036836414](#) [2823064-1](#) [1610759](#) [A1642LK-](#)
[II-T](#) [1R3006A20M005](#) [41-01016](#) [41-40011](#) [41-40017](#) [42-00006](#) [42-01015](#) [4-22279-4](#) [4-22281-1](#) [4-22284-9](#) [43-00002](#) [43-00113](#) [43-00130](#)
[43-01028](#) [43-01034](#) [43-01088](#) [43-01090](#) [43-01203](#) [43-01209](#) [43-01335](#)