

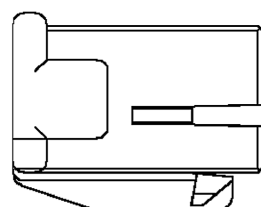
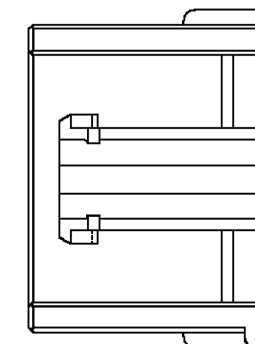
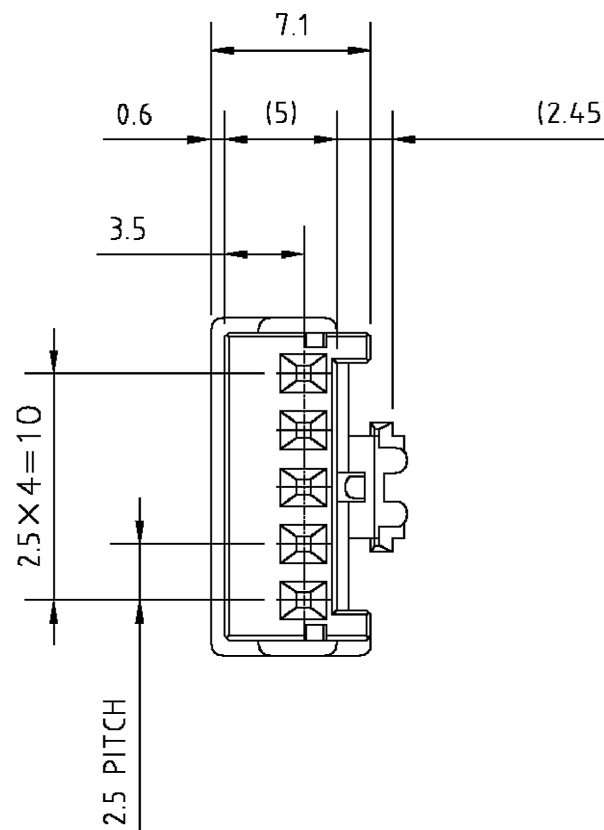
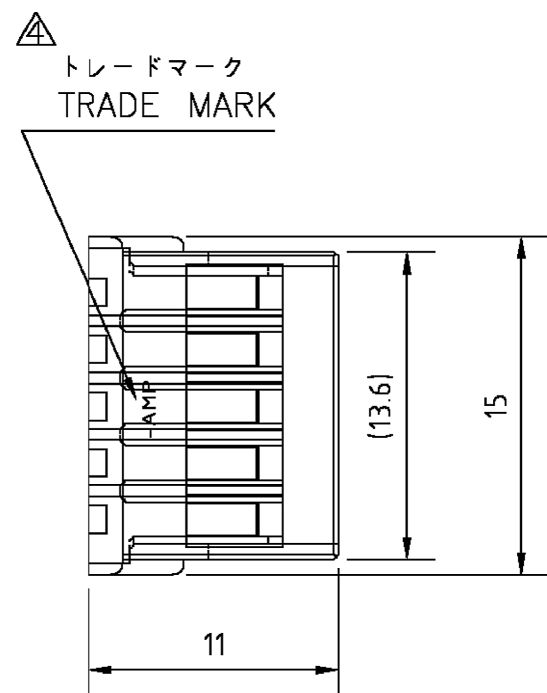
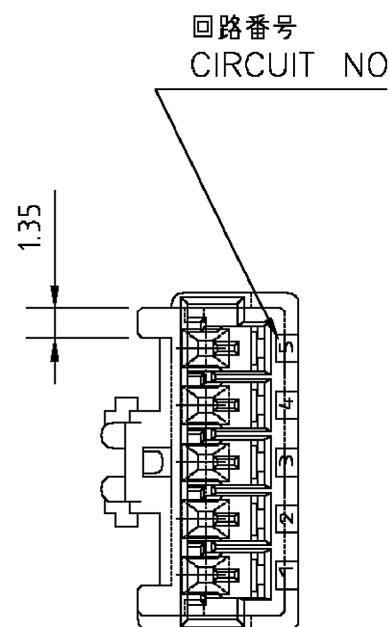
THIS DRAWING IS UNPUBLISHED.

RELEASED FOR PUBLICATION

© COPYRIGHT

ALL RIGHTS RESERVED.

LOC	DIST	REVISIONS 変更					
J	-	P	LTR	DESCRIPTION	DATE	DWN	APVD
		D4		REVISED PER ECR-16-016297	30NOV2016	K.S	D.Z



注記;

- 1. 材料; 66ナイロン (UL94V-0)
- 2. 製品規格; 108-5459
- 3. 取付適用規格; 114-5203
- 4. 表1参照
- 5. 取扱説明書; 411-5771

NOTES;

- 1. MATERIAL; 66 NYLON (UL94V-0)
- 2. PRODUCT SPEC; 108-5459-8
- 3. APPLICATION SPEC; 114-5203
- 4. SEE TABLE 1
- 5. INSTRUCTION SHEET; 411-5771
- 6. PART 5-917689-1 COMPLY WITH GLOW WIRE REQUIREMENT FOR PARTS OF NON-METALLIC MATERIAL SUPPORTING A CURRENT CARRYING CONNECTION DETAILED IN IEC 60335-1, SECTION 30(GWT)

表1
TABLE 1

トレードマーク TRADE MARK	生産場所 MANUFACTURING PLACE
- AMP OR AMP	日本 JAPAN
- + AMP OR AMP	中国 CHINA(PRC)

自然色 NATURAL	5-917689-1	5
青 BLUE	917689-6	5
赤 RED	917689-2	5
自然色 NATURAL	917689-1	5
色調 COLOR	型番 PART NO.	極数 POS.

THIS DRAWING IS A CONTROLLED DOCUMENT.

DIMENSIONS: 単位 MM	TOLERANCES UNLESS OTHERWISE SPECIFIED: 一般公差
	10 ≥ : ±0.2 30 ≥ > 10 : ±0.25 100 ≥ > 30 : ±0.3
MATERIAL 材料	ANGLES : ±0.3 FINISH 仕上 : -
SEE NOTE	

DWN Y. NOGUCHI	12MAY95
CHK Y. KASHIWA	12MAY95
APVD Y. KASHIWA	12MAY95
PRODUCT SPEC 製品規格	SEE NOTE
APPLICATION SPEC 取付適用規格	SEE NOTE
WEIGHT	-

TE TE Connectivity

2.5mm シグナルダブルロック 5極 プラグハウジング
2.5mm SIGNAL DBL-LOCK 5P PLUG HOUSING

SIZE	CAGE CODE	DRAWING NO 番号	RESTRICTED TO
A3	00779	C-917689	-

CUSTOMER DRAWING

SCALE 3-1 SHEET 1 OF 1 REV D4

X-ON Electronics

Largest Supplier of Electrical and Electronic Components

Click to view similar products for [Headers & Wire Housings](#) category:

Click to view products by [TE Connectivity](#) manufacturer:

Other Similar products are found below :

[95000-104TRLF](#) [10135584-644402LF](#) [DF62W-EP2022PCA](#) [95000-106TRLF](#) [DF62W-2022SCA](#) [DF62W-EP2022PC](#) [2203348](#) [DF62W-2022SC](#) [1084018](#) [1029039](#) [1084017](#) [802-10-012-10-002000](#) [1112640](#) [1112639](#) [000-34000](#) [0009482033](#) [0009507031](#) [57102-S06-03LF](#) [57202-S52-04LF](#) [PCN6-15S-2.5E](#) [0039019024](#) [58102-G61-06LF](#) [582553-1](#) [0009485154](#) [0009508121](#) [0022285053](#) [0050291907](#) [018731A](#) [LY20-4P-DT1-P1E-BR](#) [02.125.8002.8](#) [60101931](#) [60598-1 \(Cut Strip\)](#) [M1625-3R/100](#) [61062-3](#) [61082-181009](#) [636-1427](#) [638009-1](#) [641938-9](#) [641991-4](#) [644168-1](#) [647662-1](#) [65039-019ELF](#) [65817-002LF](#) [65817-015LF](#) [65863-015LF](#) [66207-023LF](#) [67016-026LF](#) [67046-001LF](#) [67095-007LF](#) [67230-005LF](#)