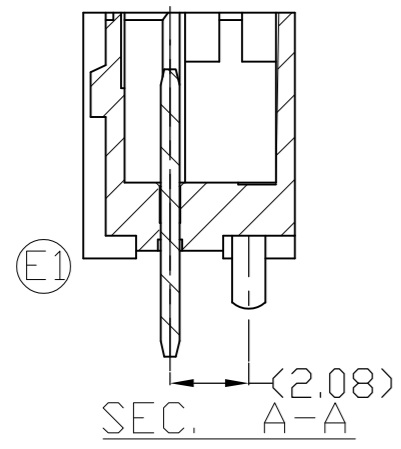


THIS DRAWING IS UNPUBLISHED. RELEASED FOR PUBLICATION  
 © COPYRIGHT - TE Connectivity ALL RIGHTS RESERVED.

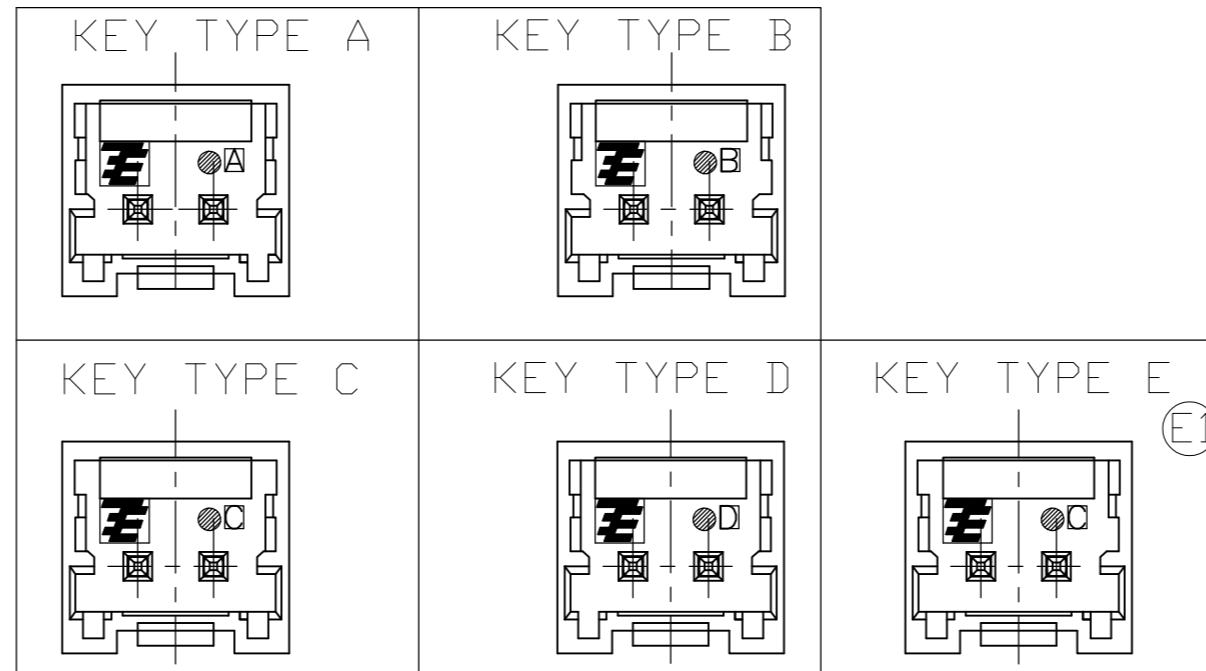
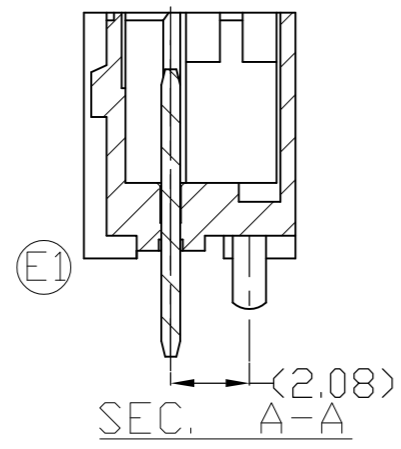
REVISIONS				
P	LTR	DESCRIPTION	DATE	APVD
E1	ECR-17-012398		29082017	M.G D.Z

KEY TYPE

2POS.~4POS.

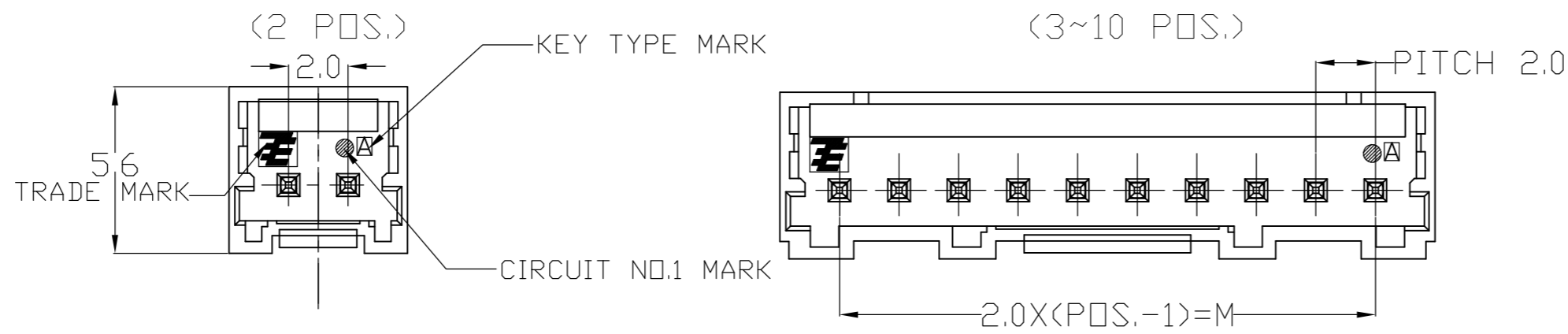
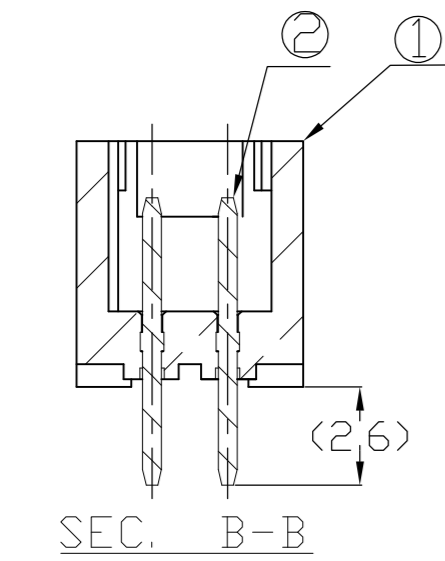


5POS.~10POS.

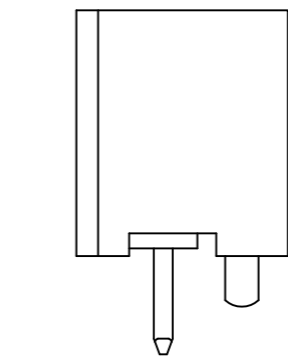
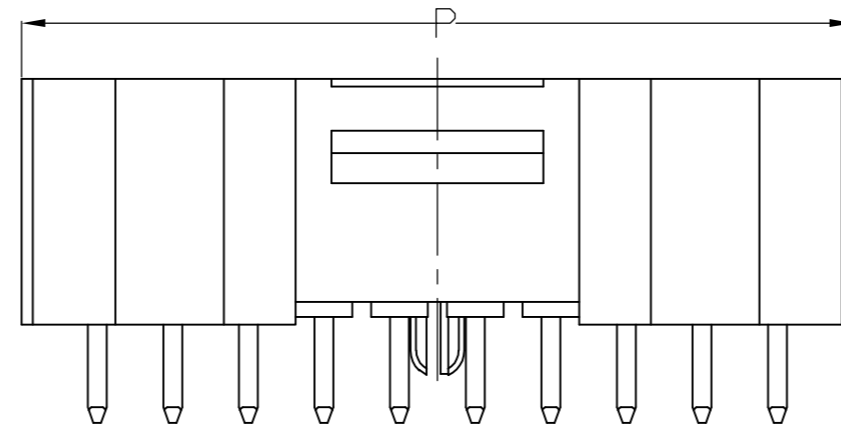
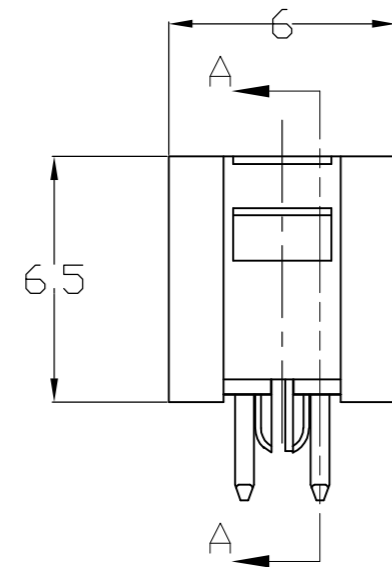
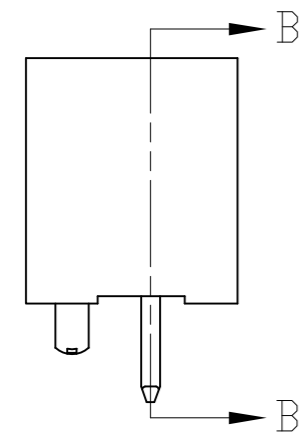
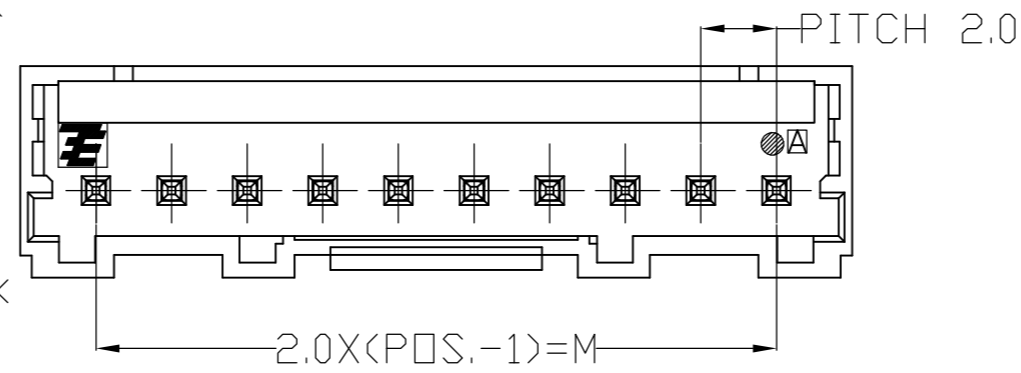


NOTE:  
 1. GENERAL TOLERANCE:  $\pm 0.3, \pm 0.3^\circ$   
 2. MATERIAL: 66NYLON GF (UL94V-0)  
 3. MATING CONN.P/N: SEE TABLE  
 △ APPLICABLE P.C.B HOLE DIA:  $\phi A$   
 PANCED HOLE:  $\phi 0.75 + 0.1 / - 0$   
 DRILLED HOLE:  $\phi 0.82 \pm 0.05$

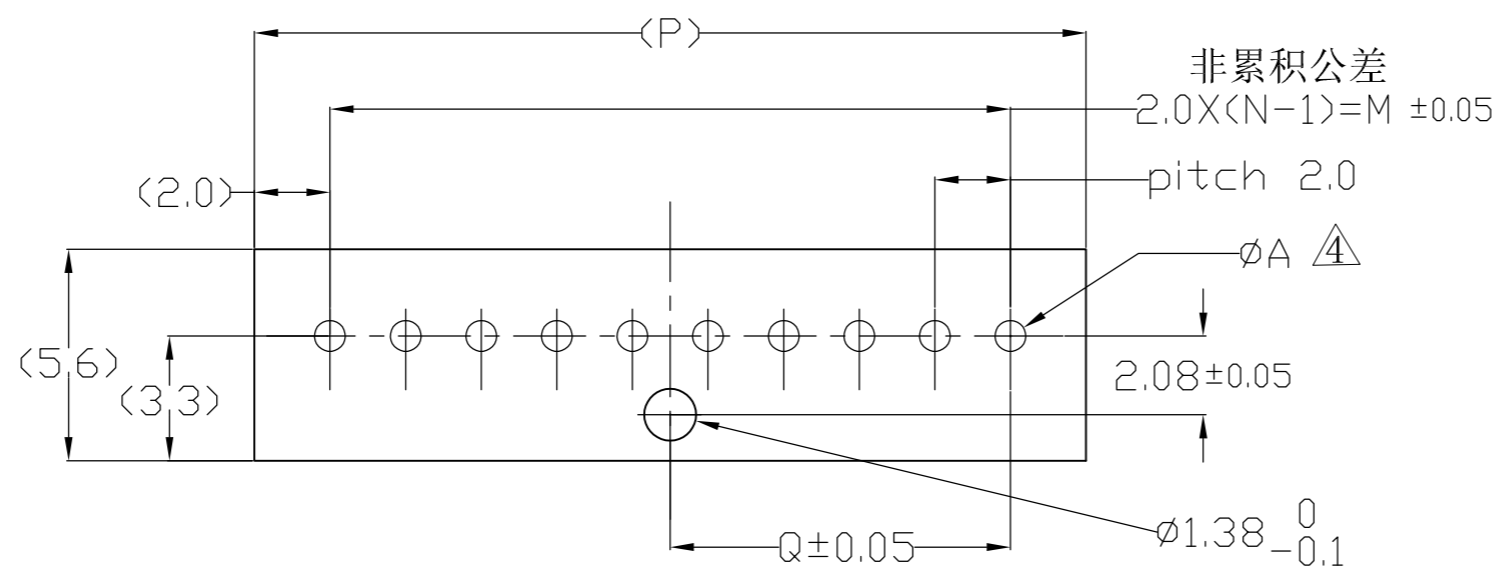
①	HDR HOUSING	66NYLON GF (UL94V-0)
②	POST CONTACT	BRASS H06 PRE-Tin
NO.	NAME	MATERIAL



(3~10 POS.)



2~10Pos. PCB. Layout



THIS DRAWING IS A CONTROLLED DOCUMENT.		DWN Liu Jimmy 24DEC'2007		
DIMENSIONS: mm		CHK Wu Sam 24DEC'2007		
TOLERANCES UNLESS OTHERWISE SPECIFIED		APVD Zhou Julian 24DEC'2007	NAME Grace Inertia Connector 2.0 EV Series Header Assembly	
0 PLC ±		PRODUCT SPEC 108-106001	RESTRICTED TO	
1 PLC ±		APPLICATION SPEC 114-5425	SIZE A2	CAGE CODE 00779
2 PLC ±		WEIGHT 0	SCALE 5:1	SHEET 1 of 2
3 PLC ±		CUSTOMER DRAWING	REV E1	
4 PLC ±				
ANGLES ±				
FINISH				

THIS DRAWING IS UNPUBLISHED. RELEASED FOR PUBLICATION  
 © COPYRIGHT - TE Connectivity ALL RIGHTS RESERVED.

REVISIONS				
P	LTR	DESCRIPTION	DATE	APVD
-	-	SEE SHEET 1	-	-

3-1971030-1	18	9	22	D	YELLOW	10	3-1971032-1
2-1971030-1				C	BLUE		2-1971032-1
1-1971030-1				B	RED		1-1971032-1
1971030-1				A	NATURAL		1971032-1
3-1971030-9	16	8	20	D	YELLOW	9	3-1971032-9
2-1971030-9				C	BLUE		2-1971032-9
1-1971030-9				B	RED		1-1971032-9
1971030-9				A	NATURAL		1971032-9
3-1971030-8	14	7	18	D	YELLOW	8	3-1971032-8
2-1971030-8				C	BLUE		2-1971032-8
1-1971030-8				B	RED		1-1971032-8
1971030-8				A	NATURAL		1971032-8
3-1971030-7	12	6	16	D	YELLOW	7	3-1971032-7
2-1971030-7				C	BLUE		2-1971032-7
1-1971030-7				B	RED		1-1971032-7
1971030-7				A	NATURAL		1971032-7
3-1971030-6	10	5	14	D	YELLOW	6	3-1971032-6
2-1971030-6				C	BLUE		2-1971032-6
1-1971030-6				B	RED		1-1971032-6
1971030-6				A	NATURAL		1971032-6
(E1) 4-1971030-5	8	4	12	E	BLACK	5	4-1971032-5
3-1971030-5				D	YELLOW		3-1971032-5
2-1971030-5				C	BLUE		2-1971032-5
1-1971030-5				B	RED		1-1971032-5
1971030-5				A	NATURAL		1971032-5
3-1971030-4	6	3	10	D	YELLOW	4	3-1971032-4
2-1971030-4				C	BLUE		2-1971032-4
1-1971030-4				B	RED		1-1971032-4
1971030-4				A	NATURAL		1971032-4
3-1971030-3	4	2	8	D	YELLOW	3	3-1971032-3
2-1971030-3				C	BLUE		2-1971032-3
1-1971030-3				B	RED		1-1971032-3
1971030-3				A	NATURAL		1971032-3
(E1) 4-1971030-2	2	1	6	E	BLACK	2	4-1971032-2
3-1971030-2				D	YELLOW		3-1971032-2
2-1971030-2				C	BLUE		2-1971032-2
1-1971030-2				B	RED		1-1971032-2
1971030-2				A	NATURAL		1971032-2
MATING CONN P/N	M	Q	P	KEY	COLOR	POS.	PART NUMBER

THIS DRAWING IS A CONTROLLED DOCUMENT.		DWN Liu Jimmy 24DEC'2007	<b>STE</b> TE Connectivity	
DIMENSIONS: mm		CHK Wu Sam 24DEC'2007		
TOLERANCES UNLESS OTHERWISE SPECIFIED:		APVD Zhou Julian 24DEC'2007	NAME Grace Inertia Connector 2.0 EV Series Header Assembly	
0 PLC ±		PRODUCT SPEC 108-106001	RESTRICTED TO	
1 PLC ±		APPLICATION SPEC 114-5425	SIZE A2	CAGE CODE 00779
2 PLC ±		WEIGHT -	DRAWING NO. C-1971032	REV E1
3 PLC ±		CUSTOMER DRAWING		
4 PLC ±		SCALE 5:1	SHEET 2 of 2	
ANGLES ±				
FINISH				

## X-ON Electronics

Largest Supplier of Electrical and Electronic Components

*Click to view similar products for [Headers & Wire Housings](#) category:*

*Click to view products by [TE Connectivity](#) manufacturer:*

Other Similar products are found below :

[95000-104TRLF](#) [10135584-644402LF](#) [DF62W-EP2022PCA](#) [95000-106TRLF](#) [DF62W-2022SCA](#) [DF62W-EP2022PC](#) [2203348](#) [DF62W-2022SC](#) [1084018](#) [1029039](#) [1084017](#) [802-10-012-10-002000](#) [1112640](#) [1112639](#) [000-34000](#) [0009482033](#) [0009507031](#) [57102-S06-03LF](#) [57202-S52-04LF](#) [PCN6-15S-2.5E](#) [0039019024](#) [58102-G61-06LF](#) [582553-1](#) [0009485154](#) [0009508121](#) [0022285053](#) [0050291907](#) [018731A](#) [LY20-4P-DT1-P1E-BR](#) [02.125.8002.8](#) [60101931](#) [60598-1 \(Cut Strip\)](#) [M1625-3R/100](#) [61062-3](#) [61082-181009](#) [636-1427](#) [638009-1](#) [641938-9](#) [641991-4](#) [644168-1](#) [647662-1](#) [65039-019ELF](#) [65817-002LF](#) [65817-015LF](#) [65863-015LF](#) [66207-023LF](#) [67016-026LF](#) [67046-001LF](#) [67095-007LF](#) [67230-005LF](#)