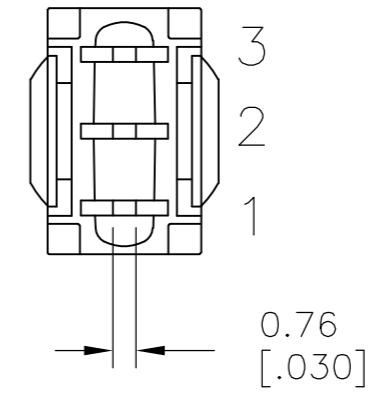
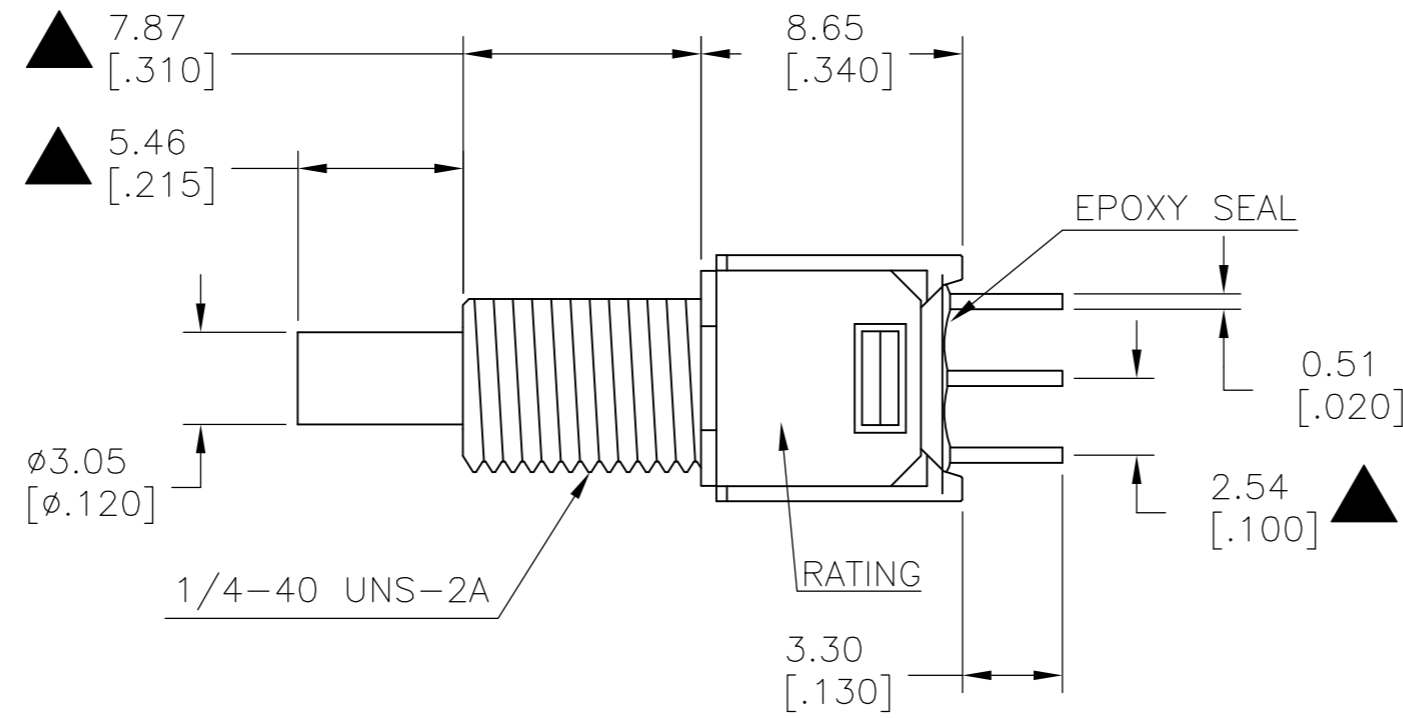
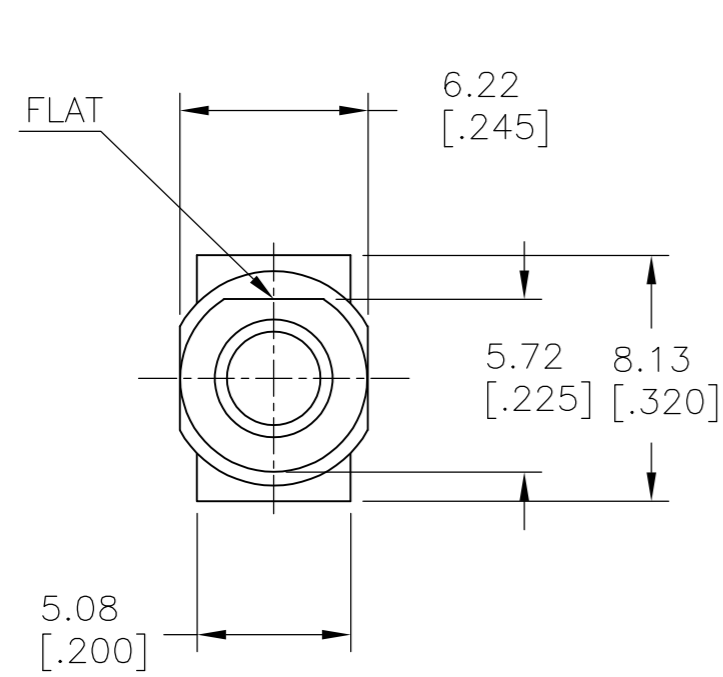


THIS DRAWING IS UNPUBLISHED. RELEASED FOR PUBLICATION
 © COPYRIGHT - By - ALL RIGHTS RESERVED.

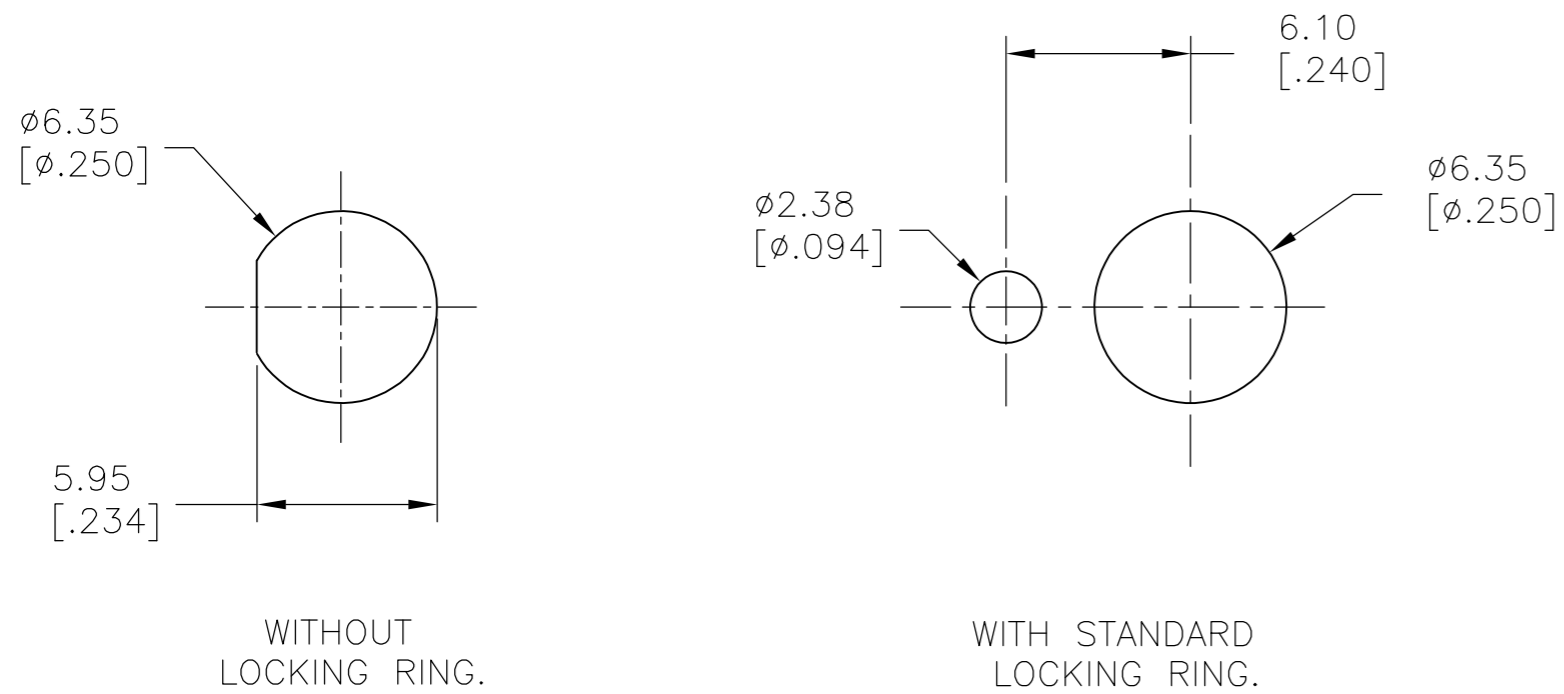
REVISONS		DESCRIPTION	DATE	DWN	APVD
P	LTR				
	A1	REVISED PER ECO-15-014342	07OCT2015	NK	RH



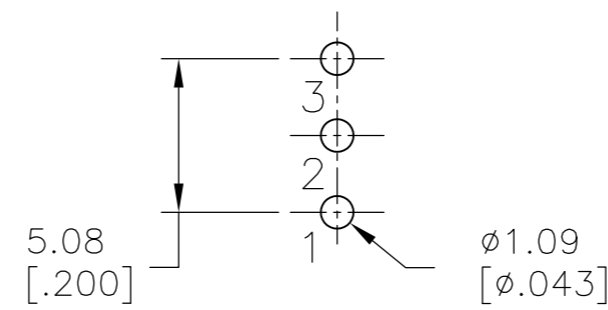
1 HARDWARE SUPPLIED WITH THREADED-BUSHING
 PARTS ONLY: TE P/N 2213733-3 (NUT) X2
 P/N 2213733-2 (LOCKING WASHER) X1

MODEL NO.	POS.1	POS.2
PMS9	ON	MOM
TERM. COMM.	2-1	2-3
SCHEMATIC		

SWITCH FUNCTION



PANEL MOUNTING



P.C.MOUNTING

LAYOUT FOR PN 2267076-3

SPECIFICATIONS

MECHANICAL LIFE: 50,000 MAKE-AND-BREAK CYCLES.
 CONTACT RESISTANCE: 20 mΩ MAX. INITIAL @ 2-4VDC
 100mA FOR BOTH SILVER AND GOLD PLATED CONTACTS.
 CONTACT RATING: SILVER PLATED: 3A @120 VAC OR 28 VDC, 1A @250 VAC
 GOLD PLATED: 0.4VA MAX @20 V MAX (AC OR DC)
 INSULATION RESISTANCE: 1,000 MΩ MIN.
 DIELECTRIC STRENGTH: 1,000 Vrms MIN.@SEA LEVEL.
 OPERATING TEMPERATURE: -30°C TO 85°C.

SILVER	ON-MOM	PC THROUGH HOLE	VERTICAL	1	1	PMS9P1B09M2QE	2267076-4
GOLD	OFF-MOM	PC THROUGH HOLE	VERTICAL	1	1	PMS8P1B09M2RE	2267076-3
GOLD	OFF-MOM	PC THROUGH HOLE	RIGHT ANGLE	1	1	PMS9P1B09M6RE	2267076-2
GOLD	OFF-MOM	PC THROUGH HOLE	VERTICAL	1	1	PMS9P1B09M2RE	2267076-1
CONTACT MATERIAL	FUNCTION	TERMINATION	MOUNT ANGLE	POLES	THROWS	DESCRIPTIVE PN	TE PN

THIS DRAWING IS A CONTROLLED DOCUMENT.

DWN	10JUL2014	NAGALAKSHMI K
CHK	10JUL2014	HILL, RYAN
APVD	10JUL2014	HILL, RYAN

TE Connectivity

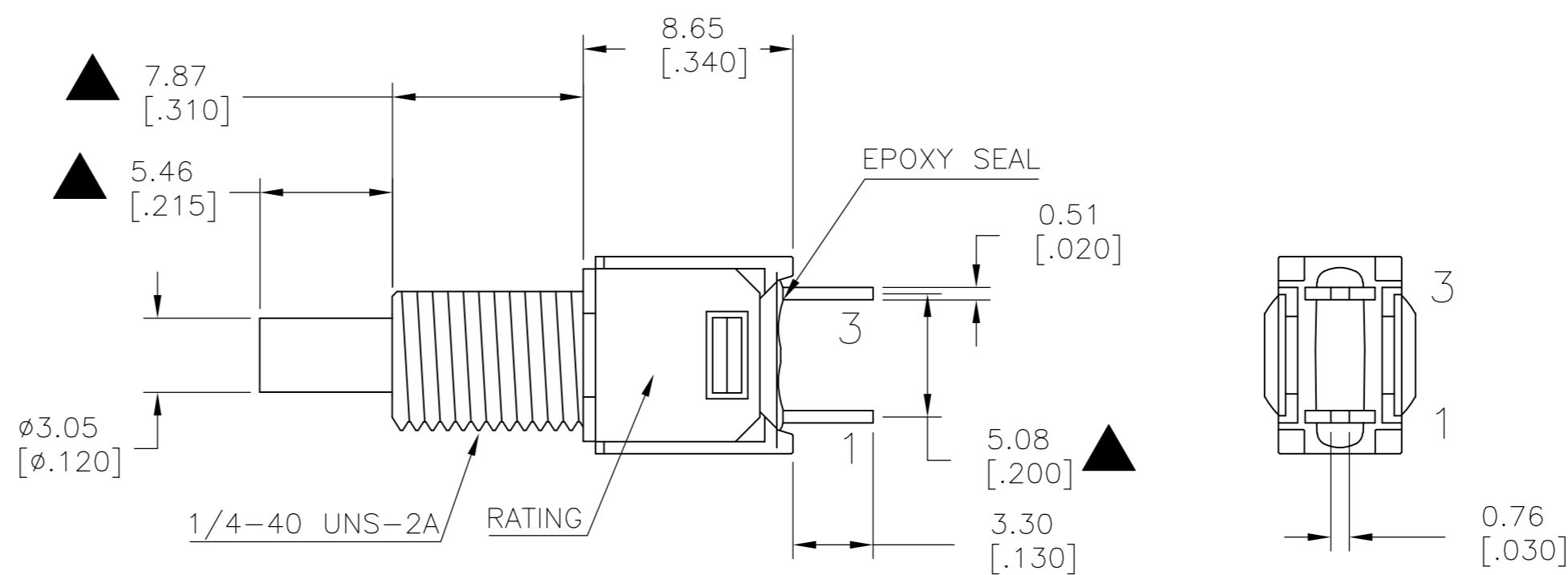
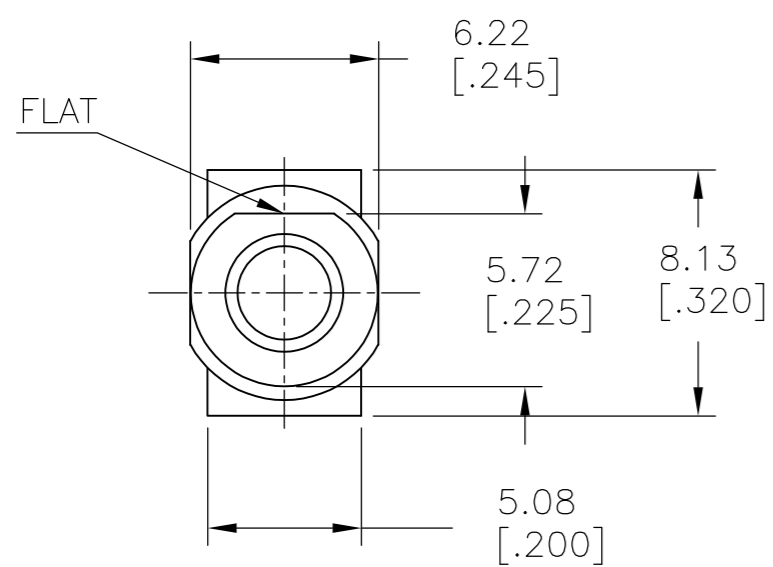
NAME: SUBMINIATURE PUSH BUTTON SWITCH

SIZE	CAGE CODE	DRAWING NO	RESTRICTED TO
A2	00779	C=2267076	-

SCALE: 3:1 SHEET: 1 OF 4 REV: A1

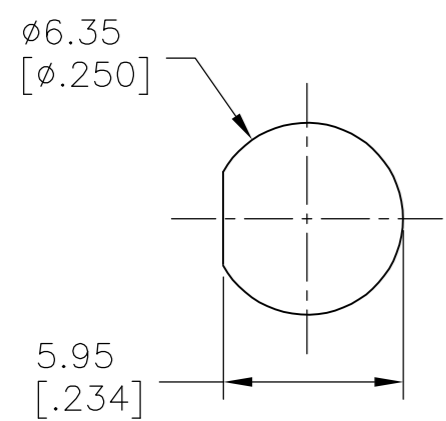
THIS DRAWING IS UNPUBLISHED. RELEASED FOR PUBLICATION
 © COPYRIGHT - By - ALL RIGHTS RESERVED.

LOC		DIST		REVISIONS			
P	LTR	DESCRIPTION	DATE	DWN	APVD		
-	-	SEE SHEET 1	-	-	-		

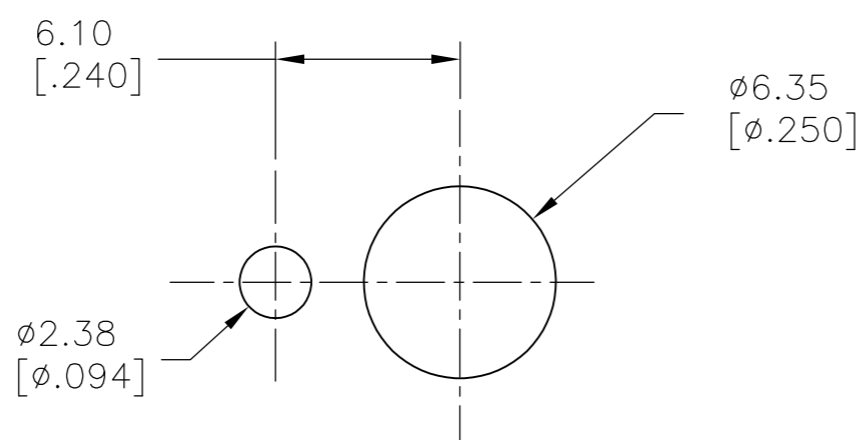


MODEL NO.	POS.1	POS.2
	OFF	MOM
TERM. COMM.	OPEN	
SCHMATIC		

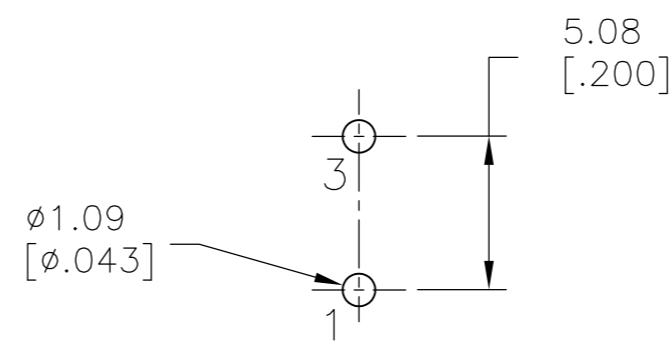
SWITCH FUNCTION



WITHOUT LOCKING RING.



WITH STANDARD LOCKING RING.



P.C.MOUNTING

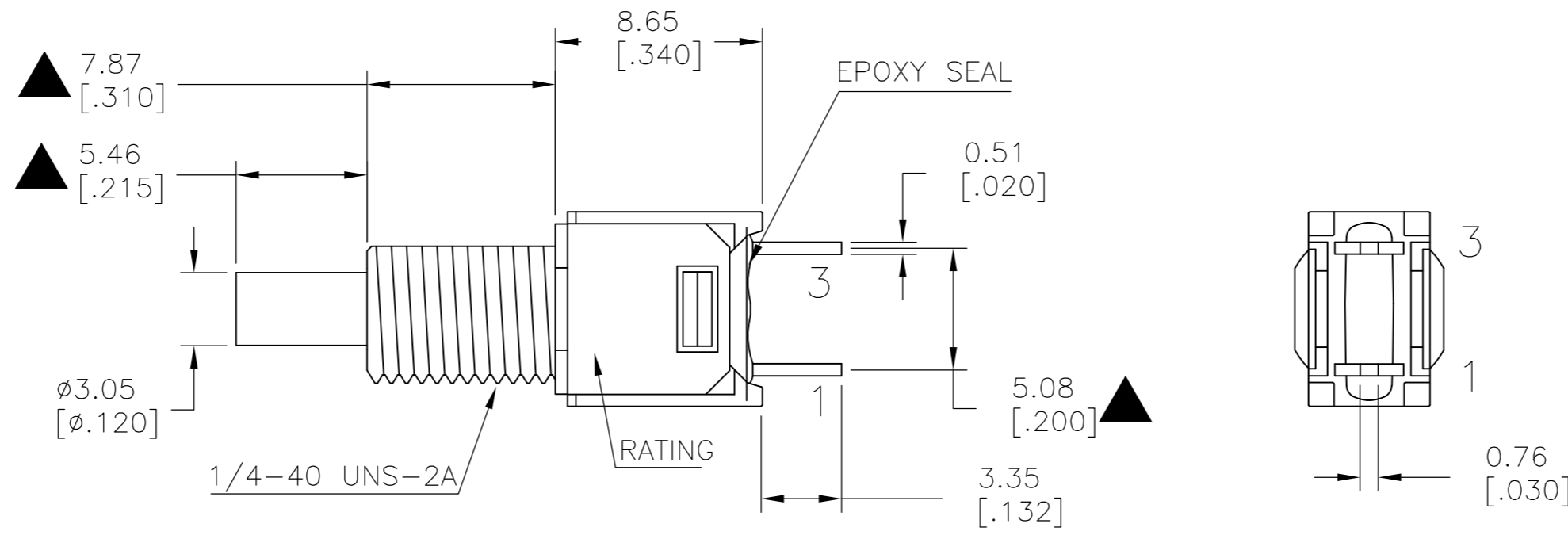
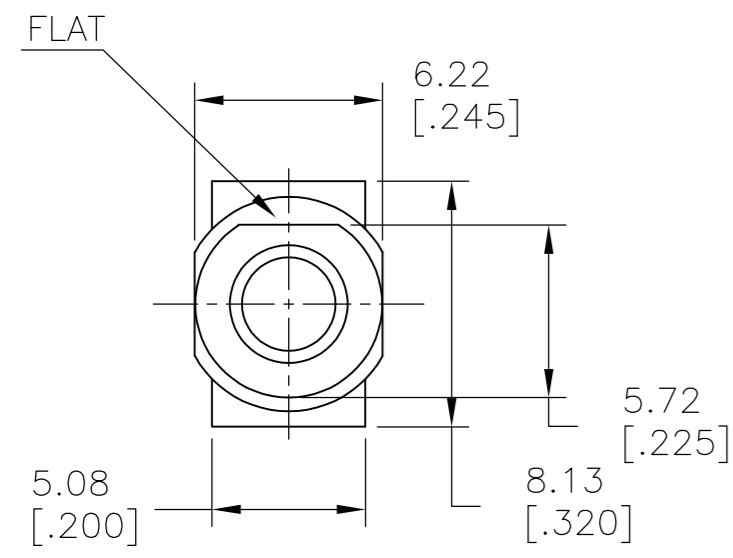
LAYOUT FOR PN 2267076-4

PANEL MOUNTING

THIS DRAWING IS A CONTROLLED DOCUMENT.		DWN NAGALAKSHMI K 10JUL2014																				
DIMENSIONS: mm [INCHES]		CHK HILL, RYAN 10JUL2014																				
TOLERANCES UNLESS OTHERWISE SPECIFIED:		APVD HILL, RYAN 10JUL2014	NAME SUBMINIATURE PUSH BUTTON SWITCH																			
<table border="1"> <tr><td>0 PLC</td><td>±</td><td>-</td></tr> <tr><td>1 PLC</td><td>±</td><td>0.38[.015]</td></tr> <tr><td>2 PLC</td><td>±</td><td>0.25[.010]</td></tr> <tr><td>3 PLC</td><td>±</td><td>-</td></tr> <tr><td>4 PLC</td><td>±</td><td>-</td></tr> <tr><td>ANGLES</td><td>±</td><td>5°</td></tr> </table>		0 PLC	±	-	1 PLC	±	0.38[.015]	2 PLC	±	0.25[.010]	3 PLC	±	-	4 PLC	±	-	ANGLES	±	5°	PRODUCT SPEC -	SIZE A2	CAGE CODE 00779
0 PLC	±	-																				
1 PLC	±	0.38[.015]																				
2 PLC	±	0.25[.010]																				
3 PLC	±	-																				
4 PLC	±	-																				
ANGLES	±	5°																				
MATERIAL -		FINISH -	WEIGHT -	DRAWING NO C=2267076																		
CUSTOMER DRAWING			SCALE 3:1	SHEET 2 OF 4																		
			RESTRICTED TO -	REV A1																		

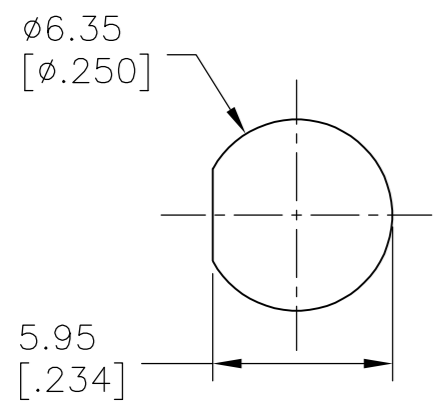
THIS DRAWING IS UNPUBLISHED. RELEASED FOR PUBLICATION
 © COPYRIGHT - By - ALL RIGHTS RESERVED.

LOC		DIST		REVISIONS			
P	LTR	DESCRIPTION	DATE	DWN	APVD		
-	-	SEE SHEET 1	-	-	-		

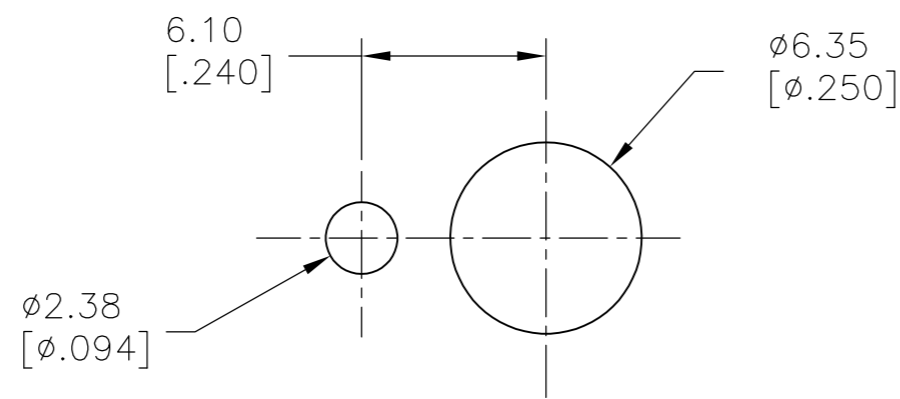


MODEL NO.	POS.1	POS.2
PMS9	OFF	MOM
TERM. COMM.	OPEN	
SCHEMATIC		

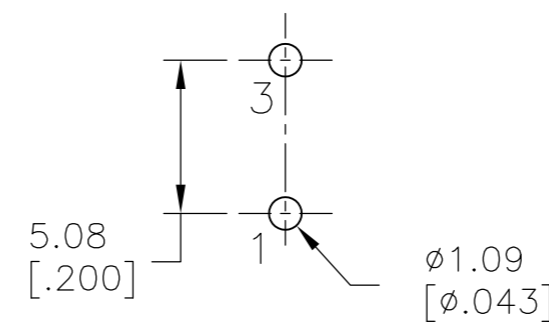
SWITCH FUNCTION



WITHOUT LOCKING RING.



WITH STANDARD LOCKING RING.



P.C.MOUNTING

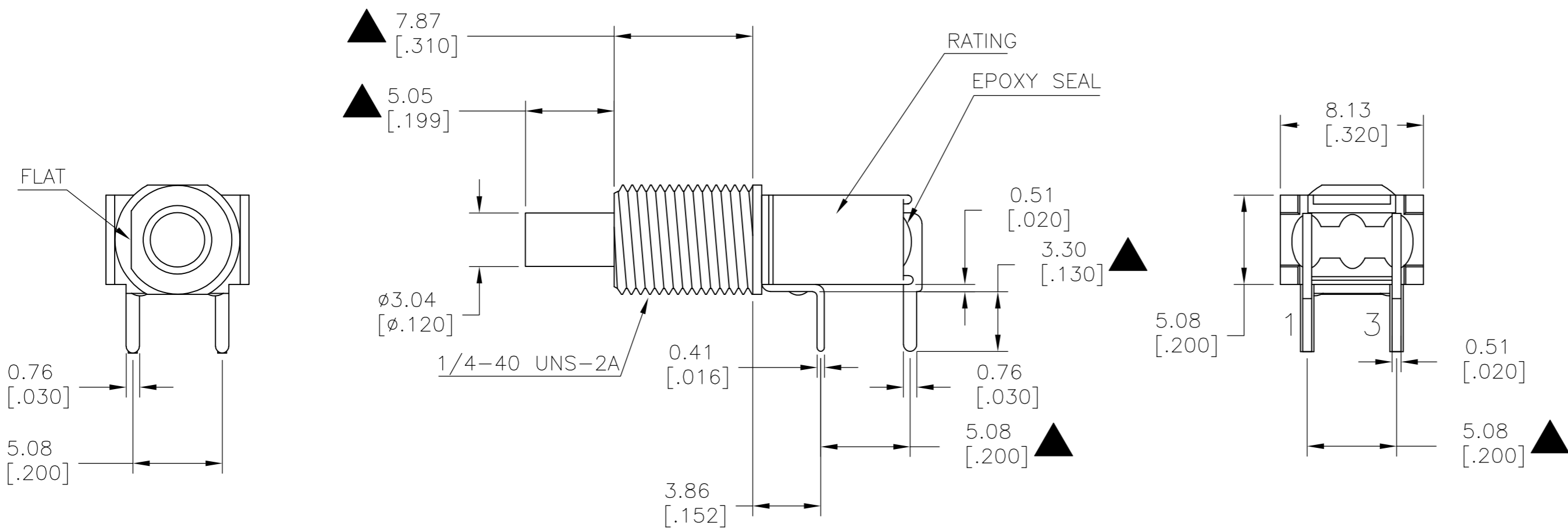
LAYOUT FOR PN 2267076-1

PANEL MOUNTING

THIS DRAWING IS A CONTROLLED DOCUMENT.		DWN NAGALAKSHMI K 10JUL2014	TE Connectivity	
DIMENSIONS: mm [INCHES]		CHK HILL, RYAN 10JUL2014		
TOLERANCES UNLESS OTHERWISE SPECIFIED:		APVD HILL, RYAN 10JUL2014	NAME SUBMINIATURE PUSH BUTTON SWITCH	
0 PLC ± -		PRODUCT SPEC	SIZE	
1 PLC ± 0.38[.015]		APPLICATION SPEC	CAGE CODE	DRAWING NO
2 PLC ± 0.25[.010]			A2	00779
3 PLC ± -			DRAWING NO C=2267076	
4 PLC ± -			RESTRICTED TO	
ANGLES ± 5°			-	
FINISH		WEIGHT	SCALE	
-		-	3:1	SHEET
		CUSTOMER DRAWING		3 of 4
				REV
				A1

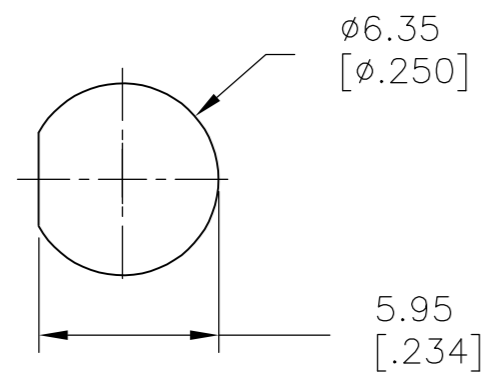
THIS DRAWING IS UNPUBLISHED. RELEASED FOR PUBLICATION
 © COPYRIGHT - By - ALL RIGHTS RESERVED.

LOC		DIST		REVISIONS			
P	LTR	DESCRIPTION	DATE	DWN	APVD		
-	-	SEE SHEET 1	-	-	-		

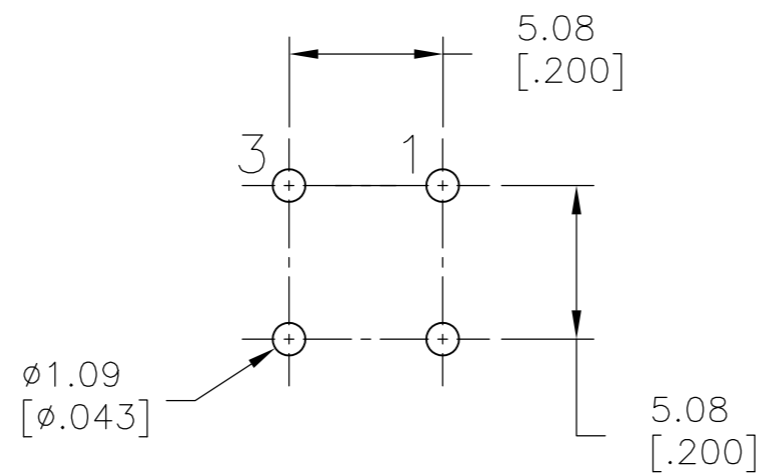


MODEL NO.	POS.1	POS.2
PMS9	OFF	MOM
TERM. COMM.	OPEN	1-3
SCHEMATIC		

SWITCH FUNCTION



PANEL MOUNTING



P.C. MOUNTING

LAYOUT FOR PN 2267076-2

THIS DRAWING IS A CONTROLLED DOCUMENT.		DWN 10JUL2014 NAGALAKSHMI K	TE Connectivity	
DIMENSIONS: mm [INCHES]		CHK 10JUL2014 HILL, RYAN		
TOLERANCES UNLESS OTHERWISE SPECIFIED:		APVD 10JUL2014 HILL, RYAN	NAME SUBMINIATURE PUSH BUTTON SWITCH	
0 PLC ± -		PRODUCT SPEC	SIZE CAGE CODE DRAWING NO RESTRICTED TO	
1 PLC ± 0.38[.015]		APPLICATION SPEC	A2 00779 C=2267076 -	
2 PLC ± 0.25[.010]		WEIGHT	SCALE 3:1 SHEET 4 OF 4 REV A1	
3 PLC ± -		CUSTOMER DRAWING		
4 PLC ± -				
ANGLES ± 5°				
FINISH				

X-ON Electronics

Largest Supplier of Electrical and Electronic Components

Click to view similar products for [Pushbutton Switches](#) category:

Click to view products by [TE Connectivity](#) manufacturer:

Other Similar products are found below :

[LW1L-M1C10V-A](#) [LW2L-A1C20M-GD](#) [LW2L-M1C20M-A](#) [60324L](#) [M7E-HRN2](#) [67021K512](#) [67081K512X](#) [701PB580](#) [719-5504-000](#)
[MDPSSGLFS](#) [810KSV30B](#) [FLT 2U EE 01A](#) [MML21KA3ABK](#) [MML23KA3AC05K-001](#) [MML23KW3AA01W](#) [8418K2](#) [8646AB6X718UL](#)
[8646ABUL](#) [FSDWH](#) [9001KXRK](#) [9001T8BK](#) [9533CD4+U574+U4922](#) [1203MRA](#) [A22EM01S](#) [A595](#) [1202A6](#) [12037A2ULCSA](#) [1203A2UL](#)
[ABD122N-B](#) [1211390004](#) [ABN111-Y](#) [ABN400-R](#) [1211500044](#) [1211580012](#) [1212MRA](#) [1232A6NF](#) [RA3CSH6A](#) [1241.1183.7047](#)
[1241.2511](#) [1241.3428](#) [1223A2ULCSA](#) [1223MRA](#) [1232AX2119](#) [1241.1183.8000](#) [1241.1183.8029](#) [1241.2506](#) [1241.2606](#) [12MA6](#)
[1301940184](#) [RELBARF6X10\(PLASTIC\)](#)