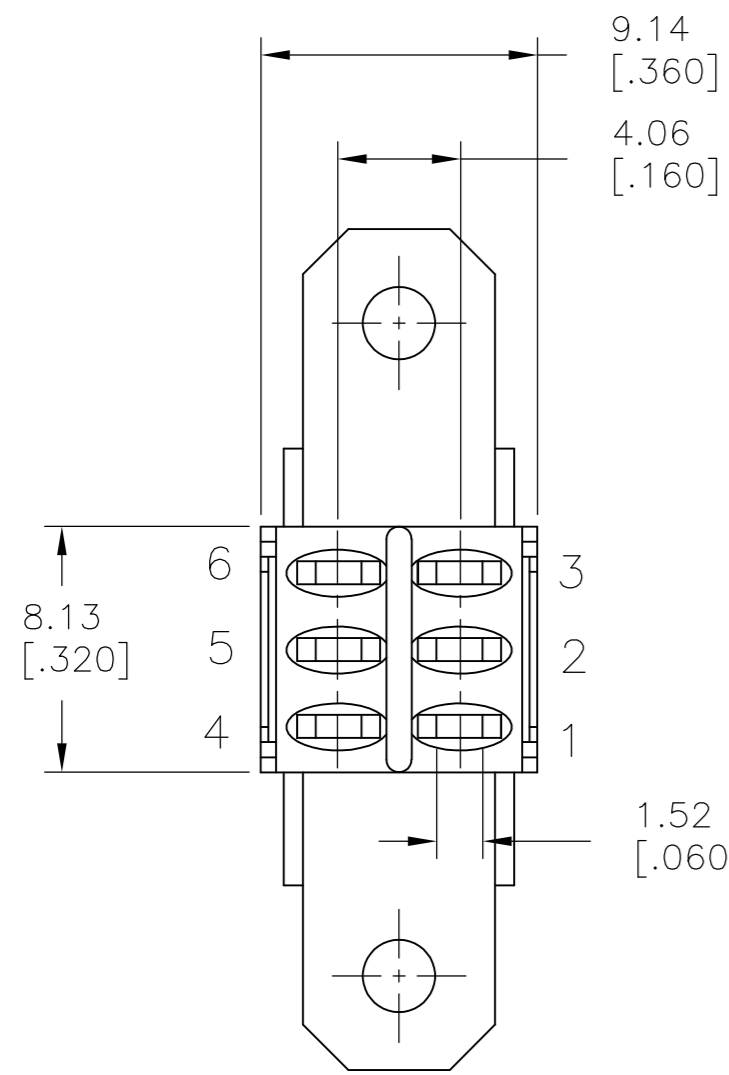
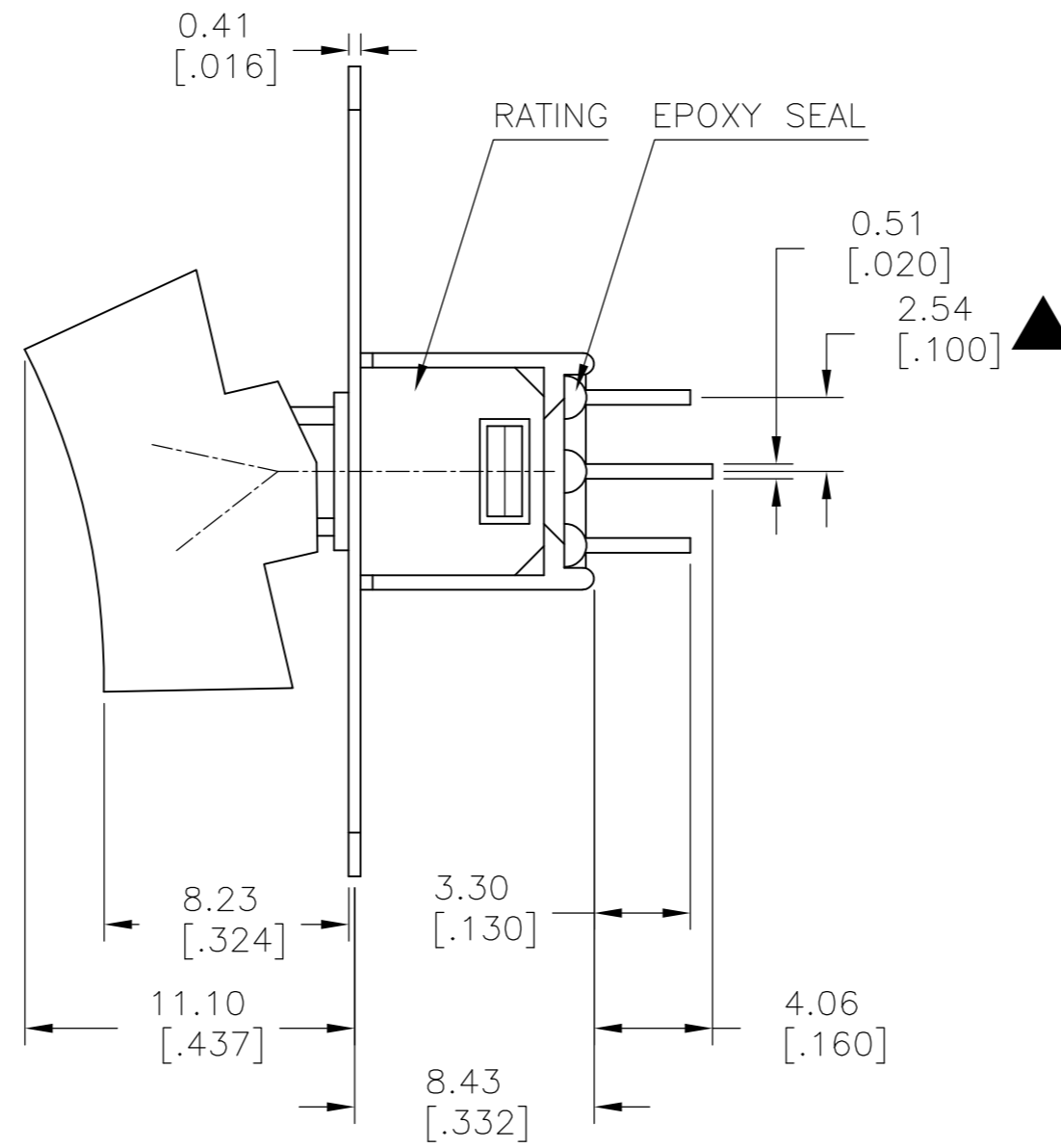
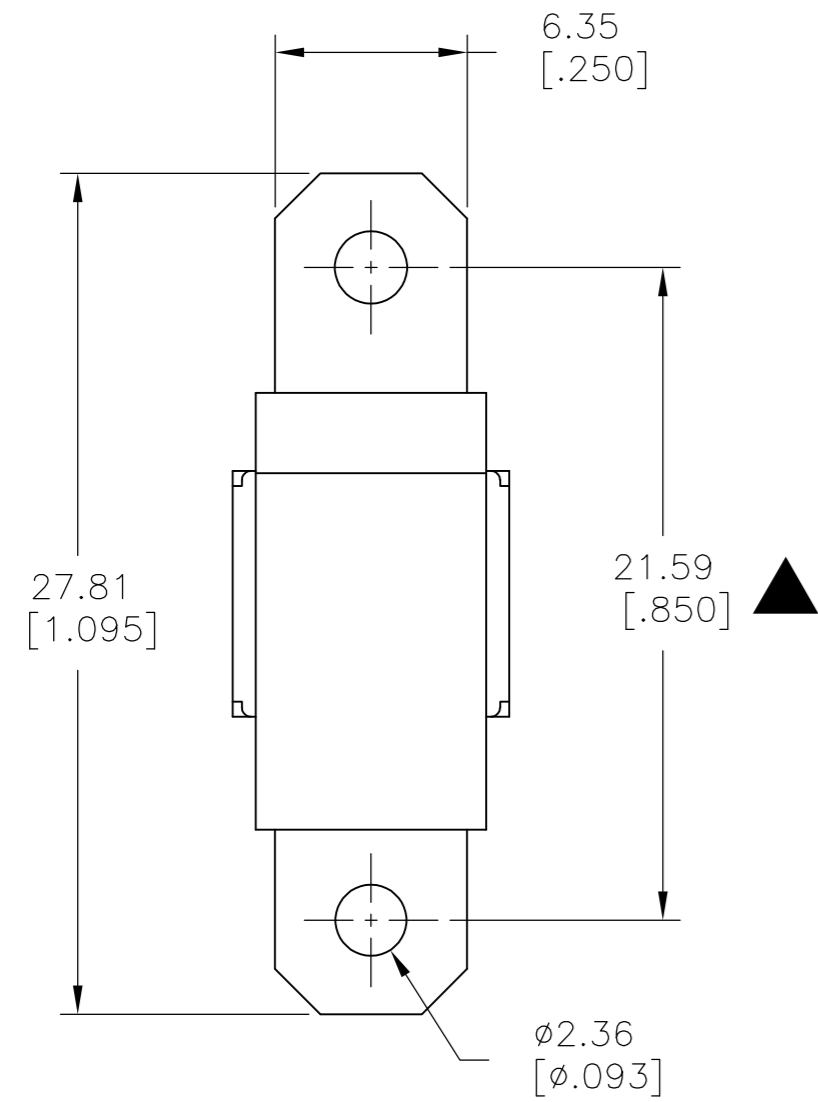


THIS DRAWING IS UNPUBLISHED. RELEASED FOR PUBLICATION
 © COPYRIGHT - By - ALL RIGHTS RESERVED.

| LOC | | DIST | | REVISIONS | | | |
|-----|-----|-------------|-------------------------------|-----------|------|----|--|
| P | LTR | DESCRIPTION | DATE | DWN | APVD | | |
| - | - | A | NEW DRAWING PER ECO-14-009318 | 11JUL2014 | NK | RH | |

SPECIFICATIONS

MECHANICAL LIFE: 30,000 MAKE-AND-BREAK CYCLES.
 CONTACT RESISTANCE: 20 mΩ MAX. INITIAL @ 2-4VDC
 100mA FOR SILVER PLATED CONTACTS.
 CONTACT RATING: 3 Amps @120 VAC OR 28 VDC
 1 Amp @ 250 VAC
 INSULATION RESISTANCE: 1,000 MΩ MIN.
 DIELECTRIC STRENGTH: 1,000 Vrms MIN.@SEA LEVEL.
 OPERATING TEMPERATURE: -30°C TO 85°C.



| | | | | | | | | | |
|------------------|---------|---------|----------|-----------------|-------------------------|-------|--------|----------------|-----------|
| SILVER | 2-1,5-4 | 2-3,5-6 | ON-ON | V-BRACKET | VERTICAL | 2 | 2 | RMD1R102VS2QES | 2267087-8 |
| SILVER | 2-1 | 2-3 | ON-ON | V-BRACKET | VERTICAL | 1 | 2 | RMS1R102VS2QES | 2267087-7 |
| SILVER | 2-1,5-4 | 2-3,5-6 | ON-ON | PC THROUGH HOLE | VERTICAL RIGHT ANGLE | 2 | 2 | RMD1R102M7QES | 2267087-6 |
| SILVER | 2-1 | 2-3 | ON-ON | PC THROUGH HOLE | VERTICAL RIGHT ANGLE | 1 | 2 | RMS1R102M7QES | 2267087-5 |
| SILVER | 2-1,5-4 | 2-3,5-6 | ON-ON | PC THROUGH HOLE | RIGHT ANGLE | 2 | 2 | RMD1R102M6QES | 2267087-4 |
| SILVER | 2-1 | 2-3 | ON-ON | PC THROUGH HOLE | RIGHT ANGLE | 1 | 2 | RMS1R202M6QES | 2267087-3 |
| SILVER | 2-1,5-4 | 2-3,5-6 | ON-ON | SOLDER LUG | VERTICAL | 2 | 2 | RMD1R102M1QES | 2267087-2 |
| SILVER | 2-1 | 2-3 | ON-ON | SOLDER LUG | VERTICAL | 1 | 2 | RMS1R102M1QES | 2267087-1 |
| CONTACT MATERIAL | POS 2 | POS 1 | FUNCTION | TERMINATION | MOUNT ANGLE | POLES | THROWS | DESCRIPTIVE PN | TE PN |

THIS DRAWING IS A CONTROLLED DOCUMENT.

| | | |
|------------------|-----------|---------------|
| DWN | 11JUL2014 | NAGALAKSHMI K |
| CHK | 11JUL2014 | HILL, RYAN |
| APVD | 11JUL2014 | HILL, RYAN |
| PRODUCT SPEC | | |
| APPLICATION SPEC | | |
| WEIGHT | - | |
| CUSTOMER DRAWING | | |

TE Connectivity
 SUBMINIATURE ROCKER SWITCHES

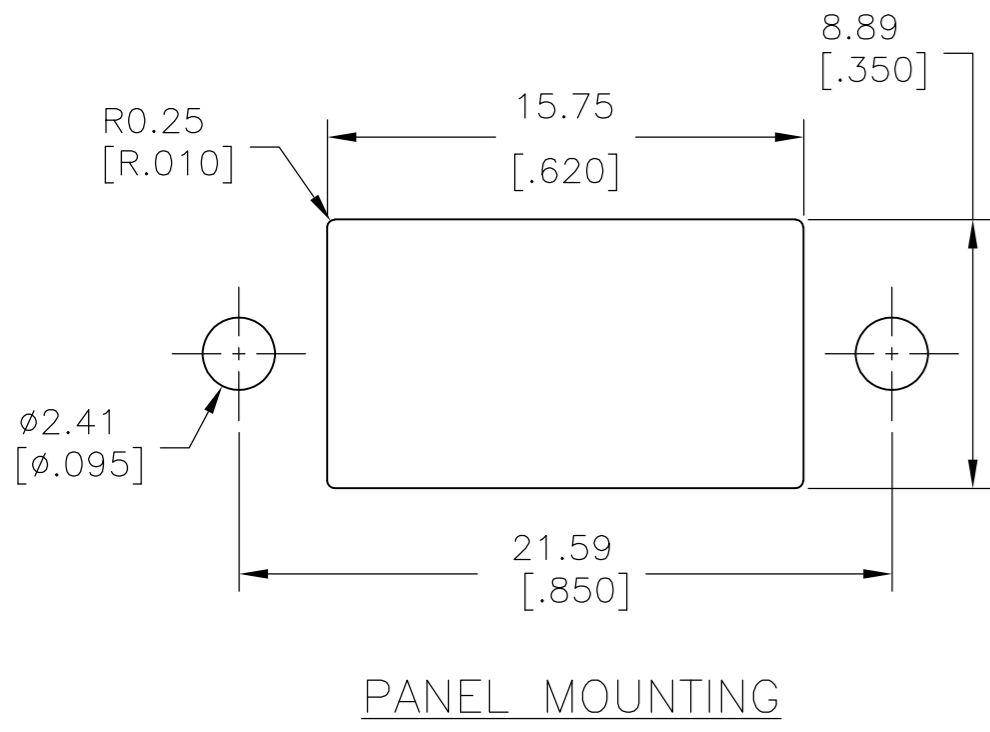
| | | | | | | | |
|-------|-----|-----------|--------|------------|-----------|---------------|---|
| SIZE | A2 | CAGE CODE | 00779 | DRAWING NO | C=2267087 | RESTRICTED TO | - |
| SCALE | 3:1 | SHEET | 1 of 5 | REV | A | | |

2267087

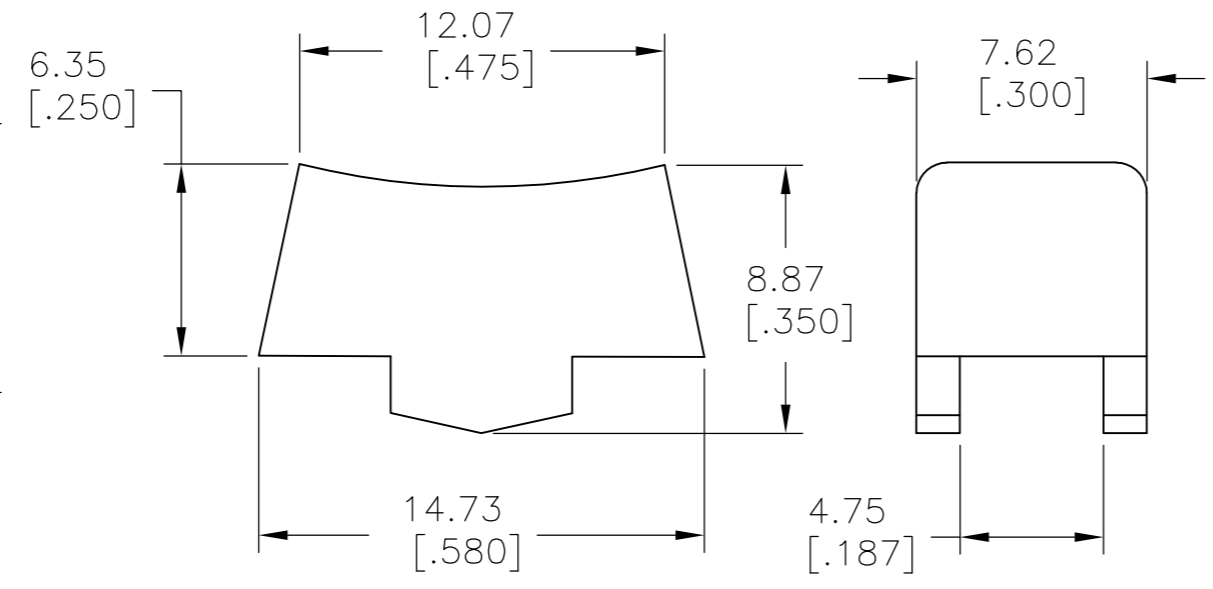
THIS DRAWING IS UNPUBLISHED. RELEASED FOR PUBLICATION
 © COPYRIGHT - By - ALL RIGHTS RESERVED.

| LOC | | DIST | | REVISIONS | | | |
|-----|-----|-------------|------|-----------|------|---|---|
| P | LTR | DESCRIPTION | DATE | DWN | APVD | | |
| - | - | SEE SHEET 1 | - | - | - | - | - |

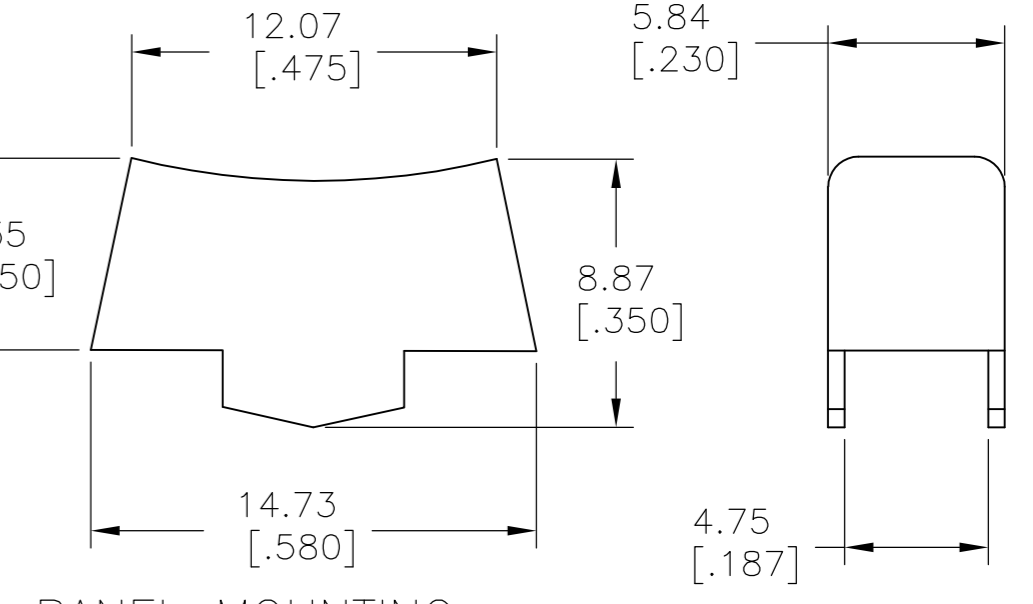
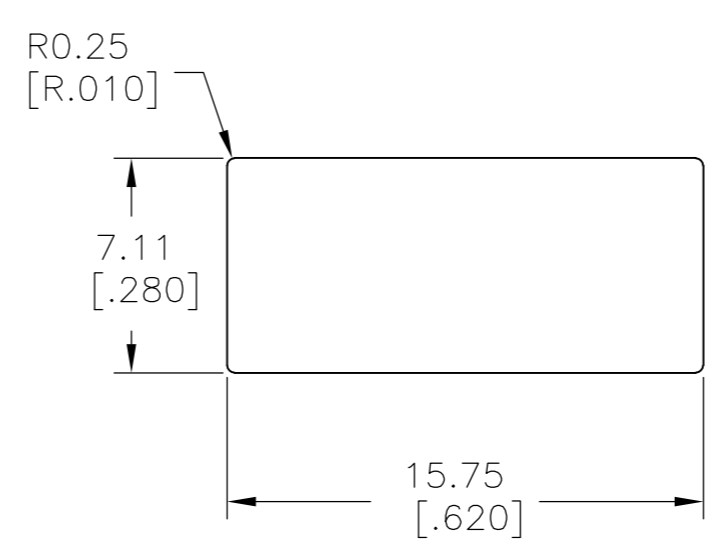
ACTUATOR OPTIONS



PANEL MOUNTING



R1
WIDE ACTUATOR

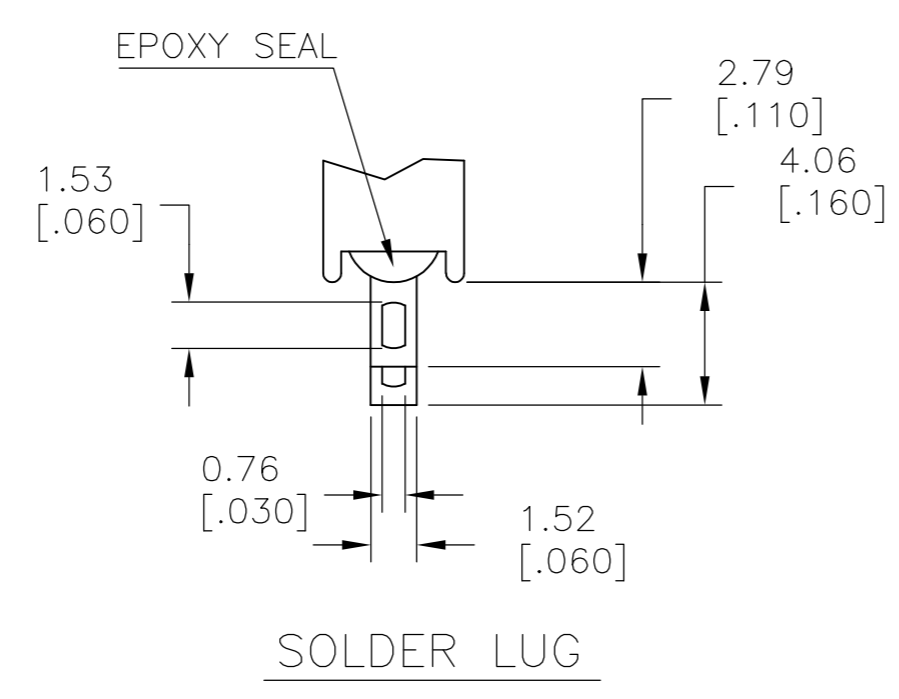


PANEL MOUNTING

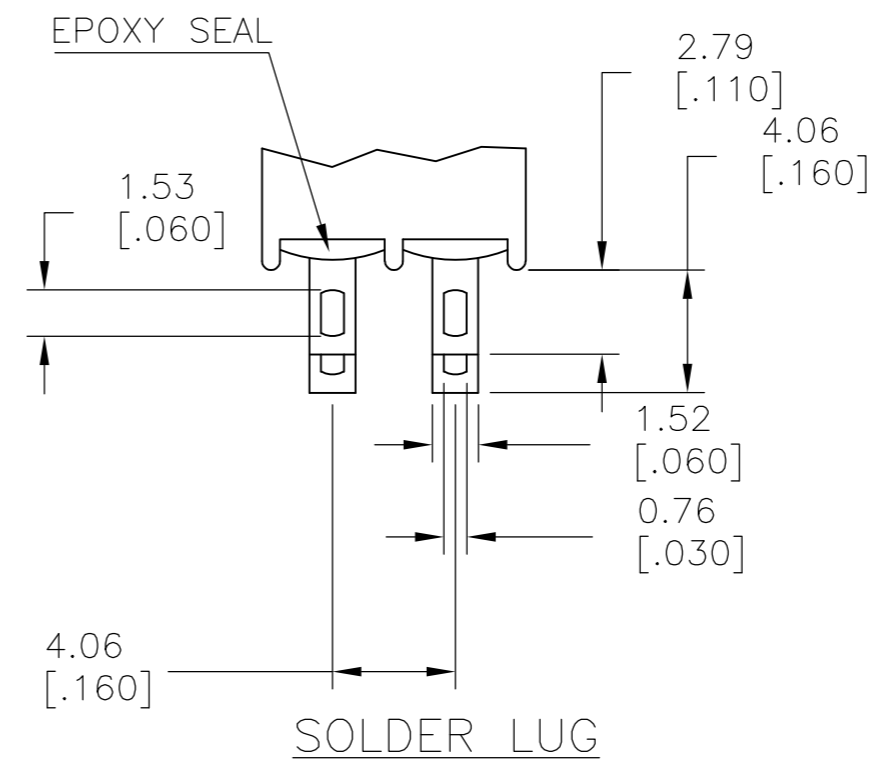
R2
NARROW ACTUATOR

TERMINATION OPTIONS

SPDT M1
SOLDER LUG



SOLDER LUG



SOLDER LUG

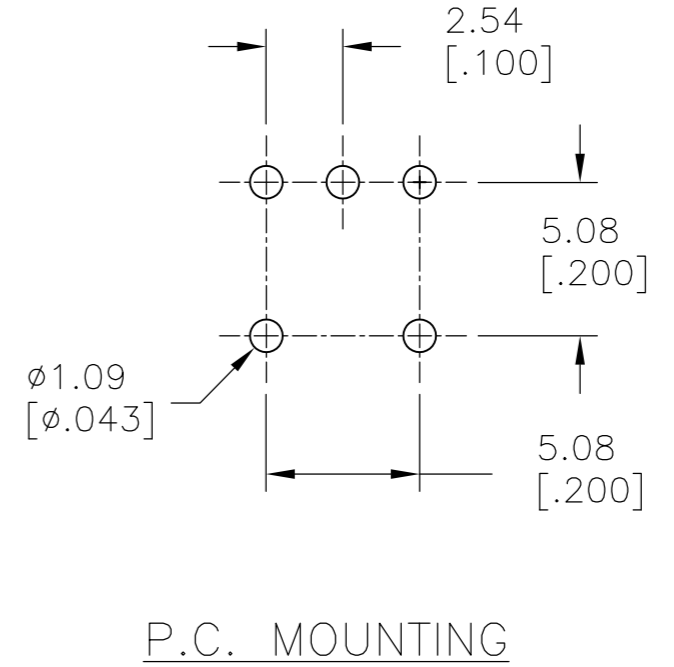
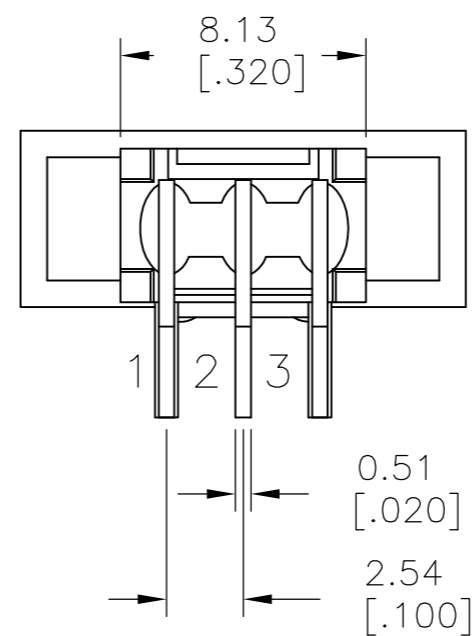
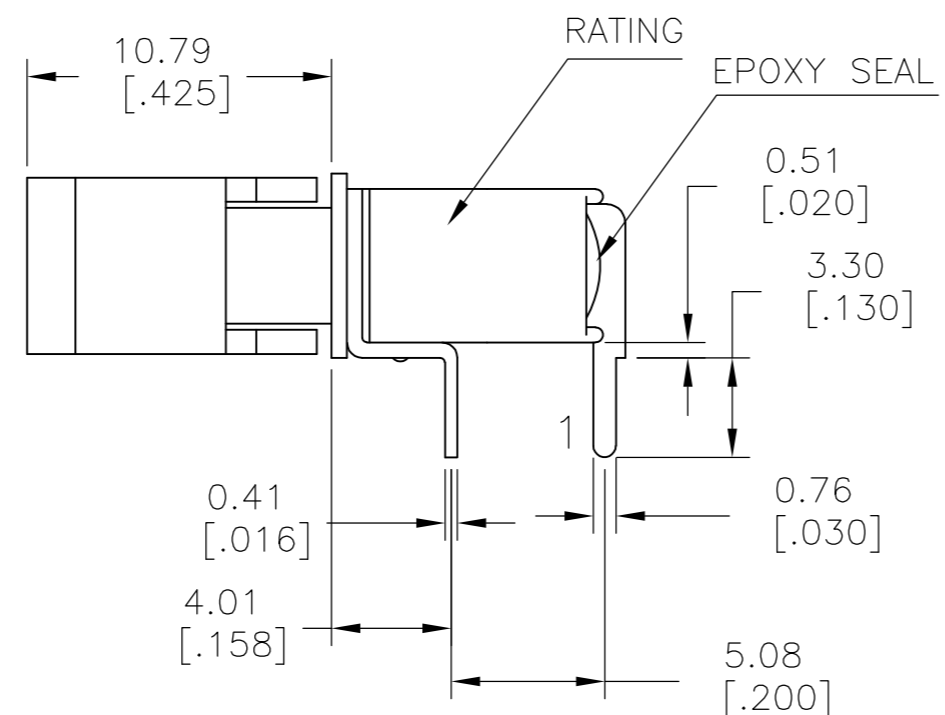
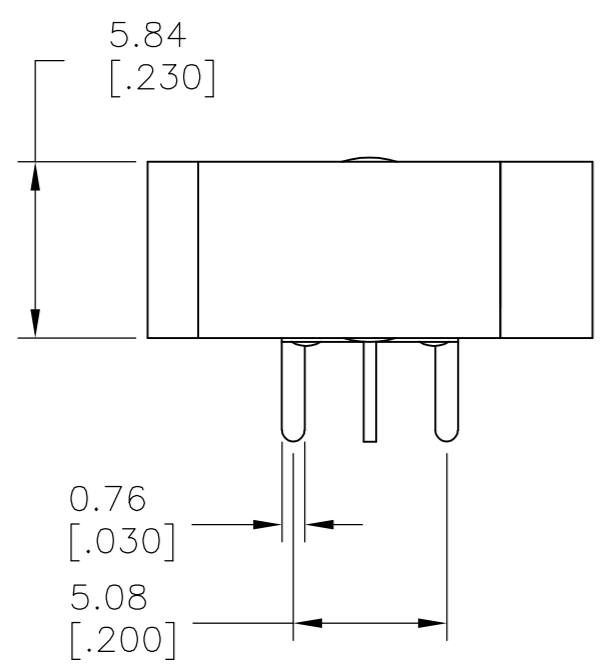
DPDT M1
SOLDER LUG

LAYOUT FOR PN 2267087-1 & 2

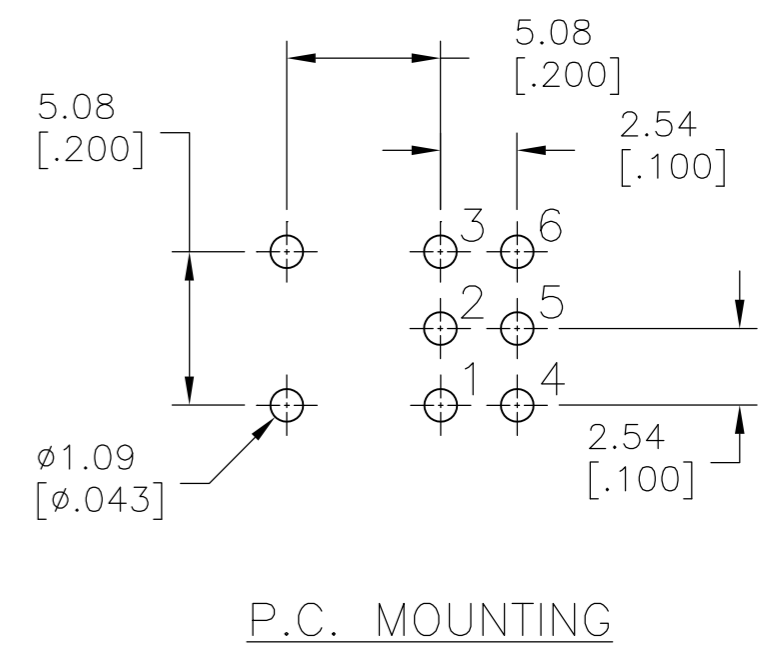
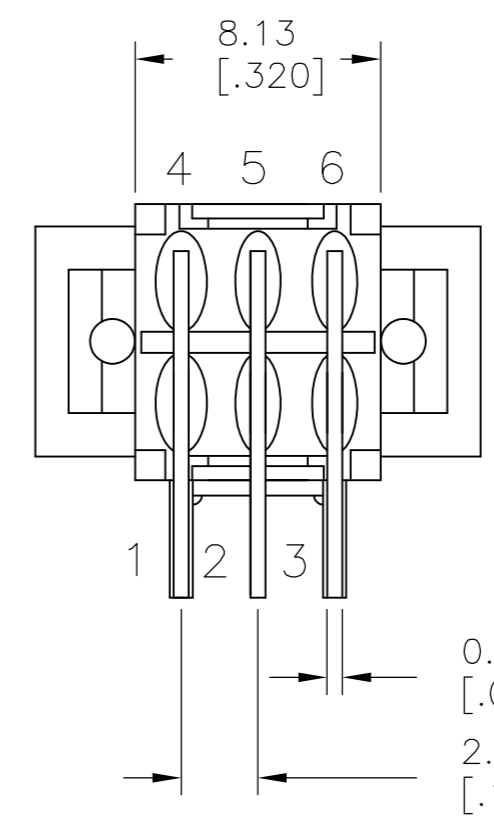
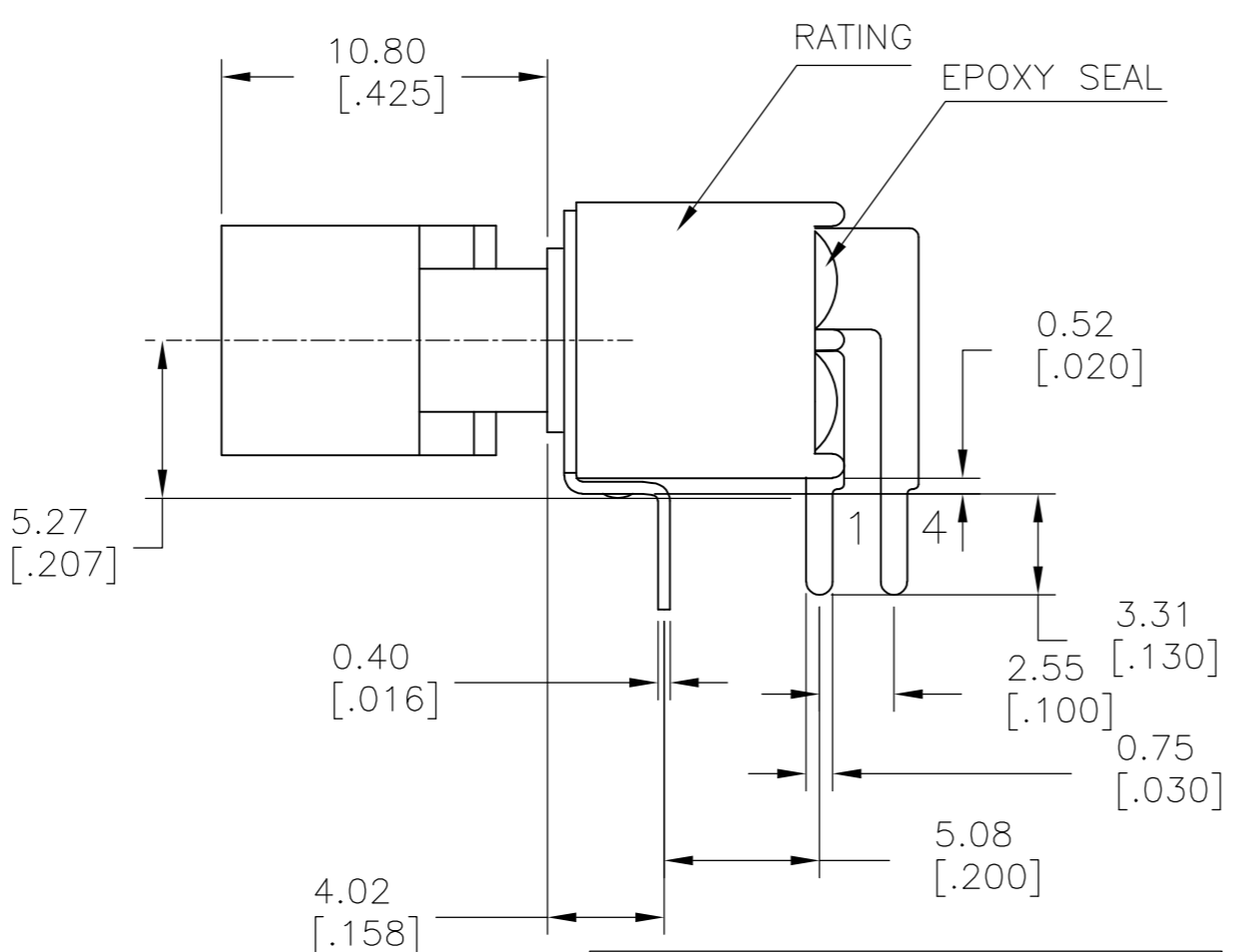
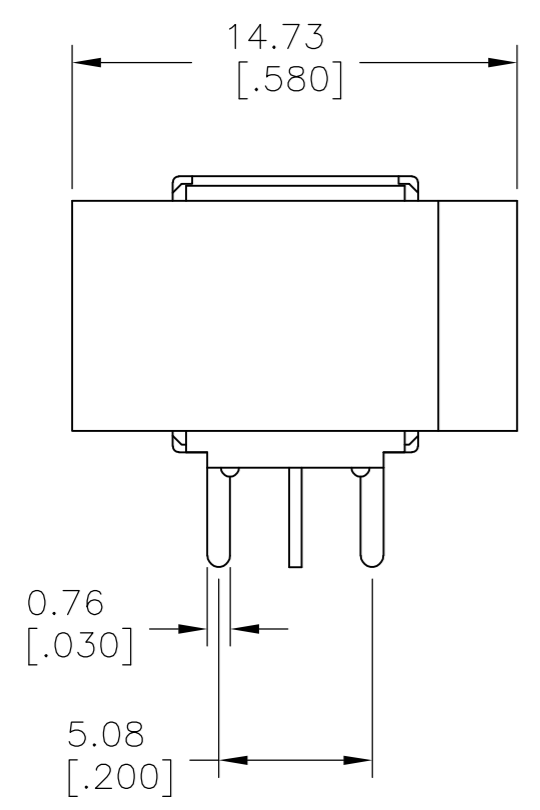
| | | | | |
|--|--------------------|-----------------------------------|------------------------------|---------------|
| THIS DRAWING IS A CONTROLLED DOCUMENT. | | DWN NAGALAKSHMI K 11JUL2014 | TE Connectivity | |
| DIMENSIONS: mm [INCHES] | | CHK HILL, RYAN 11JUL2014 | | |
| TOLERANCES UNLESS OTHERWISE SPECIFIED: | | APVD HILL, RYAN 11JUL2014 | NAME | |
| 0 PLC ± - | 1 PLC ± 0.38[.015] | PRODUCT SPEC | SUBMINIATURE ROCKER SWITCHES | |
| 2 PLC ± 0.25[.010] | 3 PLC ± - | APPLICATION SPEC | SIZE | RESTRICTED TO |
| 4 PLC ± - | ANGLES ± 5° | WEIGHT | A2 | - |
| MATERIAL | FINISH | CUSTOMER DRAWING | CAGE CODE | DRAWING NO |
| - | - | SCALE | 00779 | 2267087 |
| | | | SCALE | SHEET |
| | | | 3:1 | 2 of 5 |
| | | | REV | A |

THIS DRAWING IS UNPUBLISHED. RELEASED FOR PUBLICATION
 © COPYRIGHT - By - ALL RIGHTS RESERVED.

| LOC | | DIST | | REVISIONS | | | |
|-----|-----|-------------|------|-----------|------|--|--|
| P | LTR | DESCRIPTION | DATE | DWN | APVD | | |
| - | - | SEE SHEET 1 | - | - | - | | |



SPDT M6
 RIGHT ANGLE



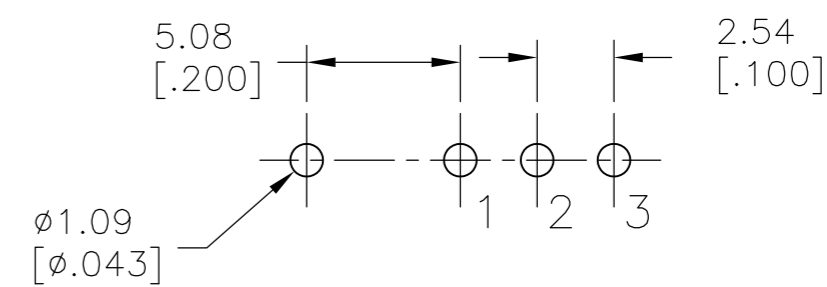
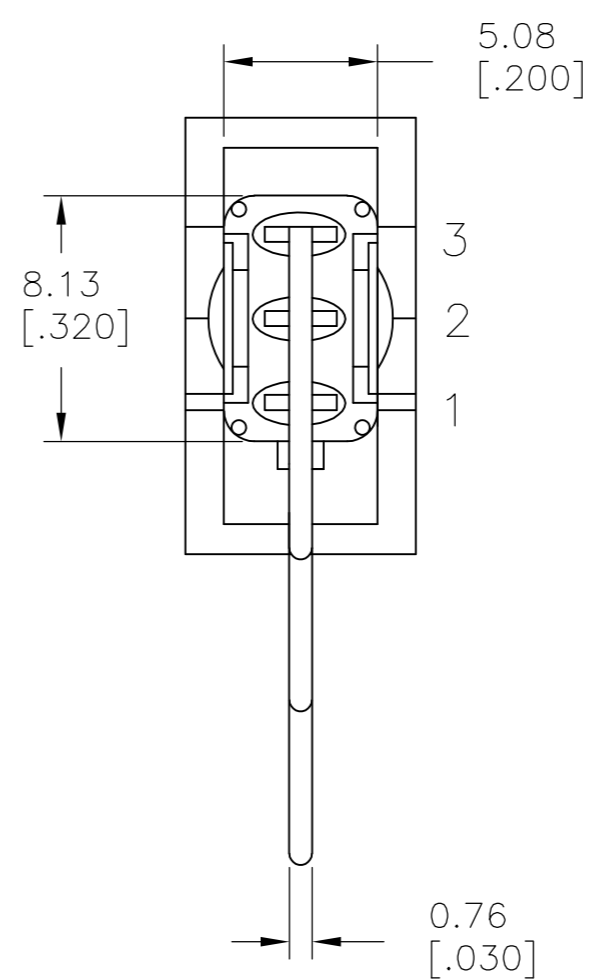
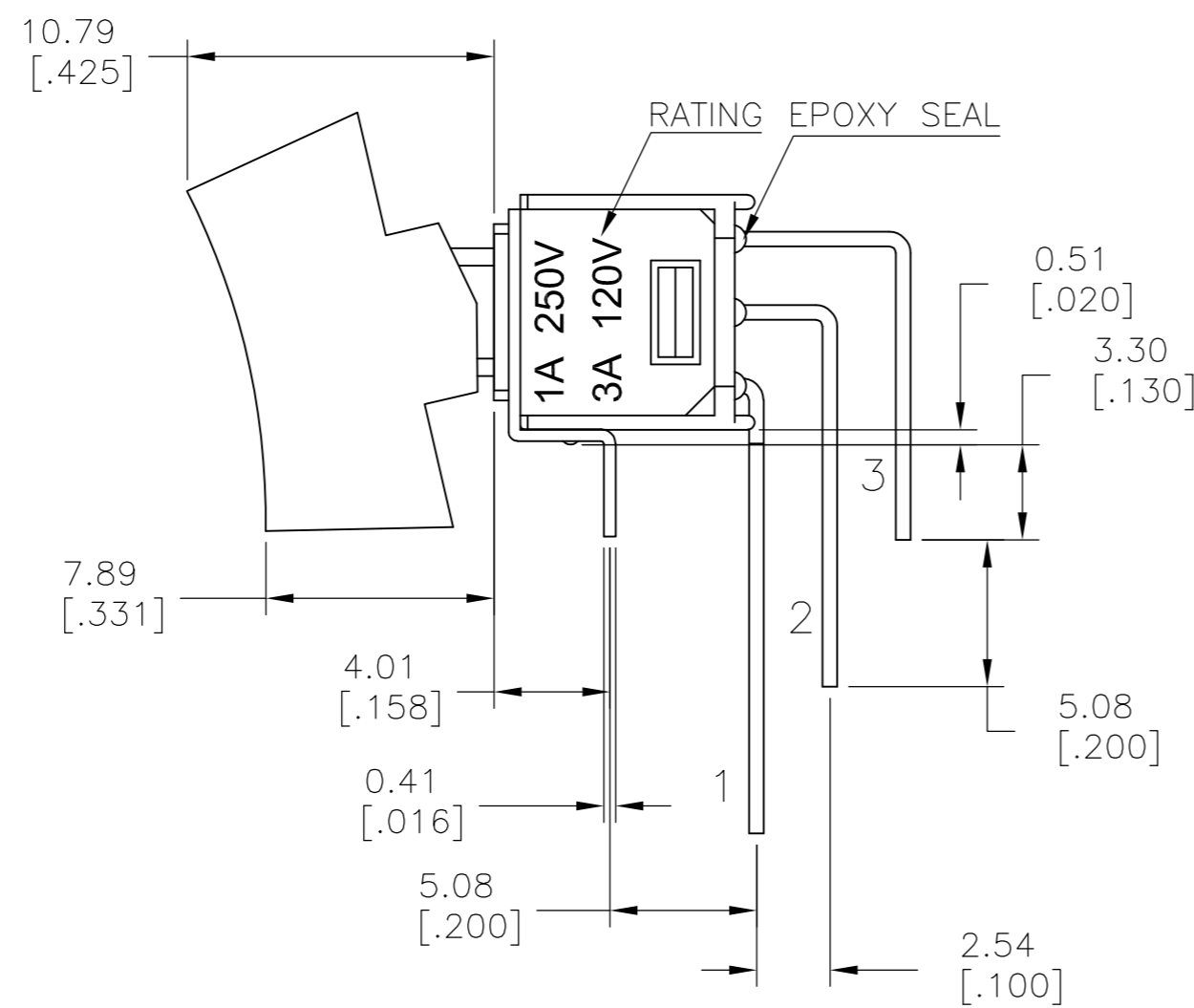
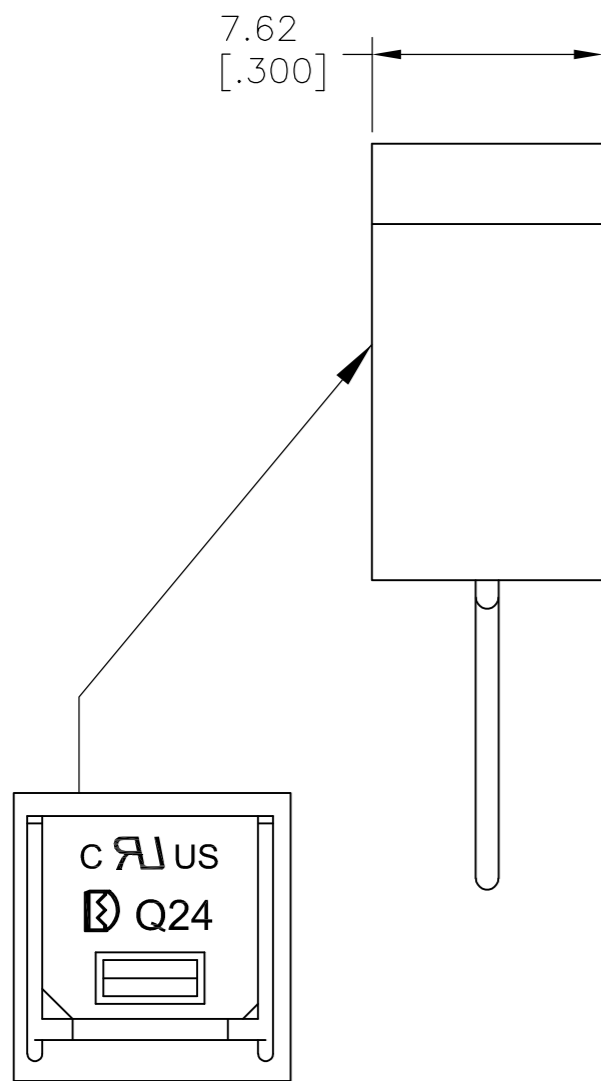
DPDT M6
 RIGHT ANGLE

LAYOUT FOR PN 2267087-3 & 4

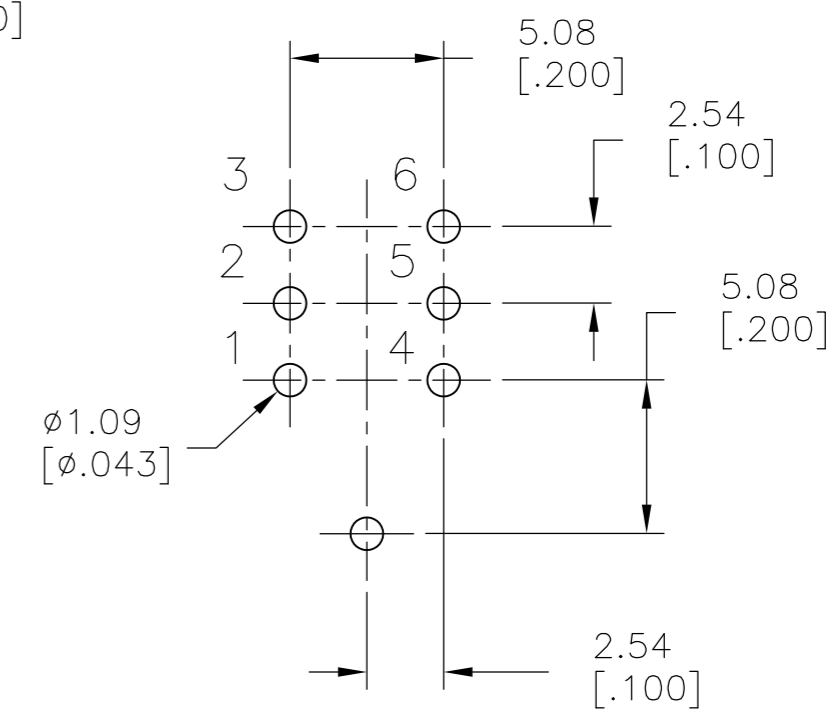
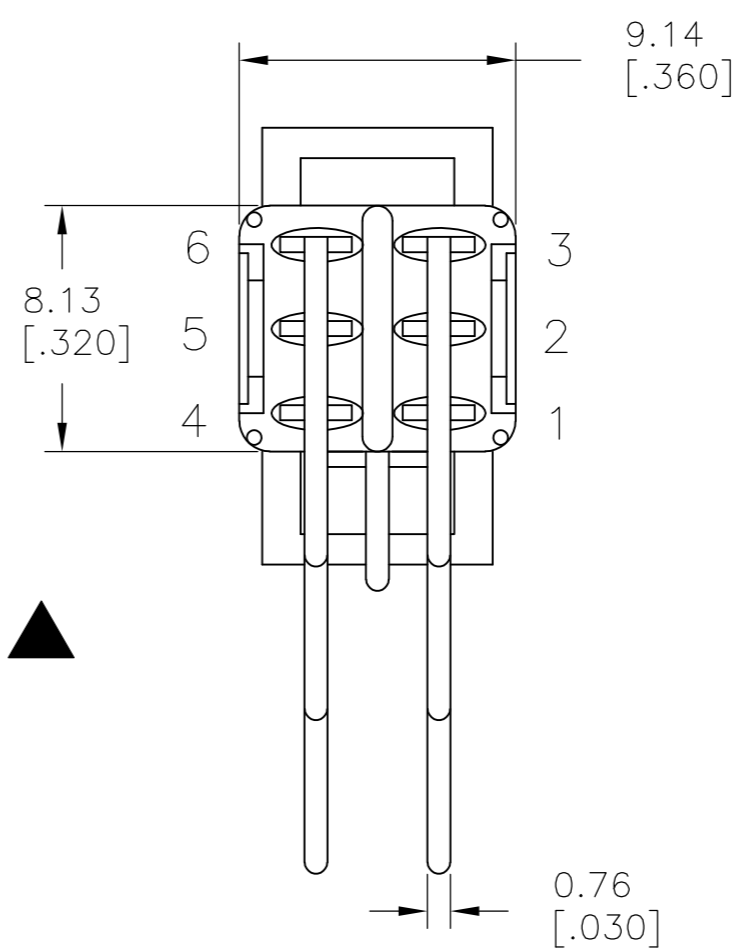
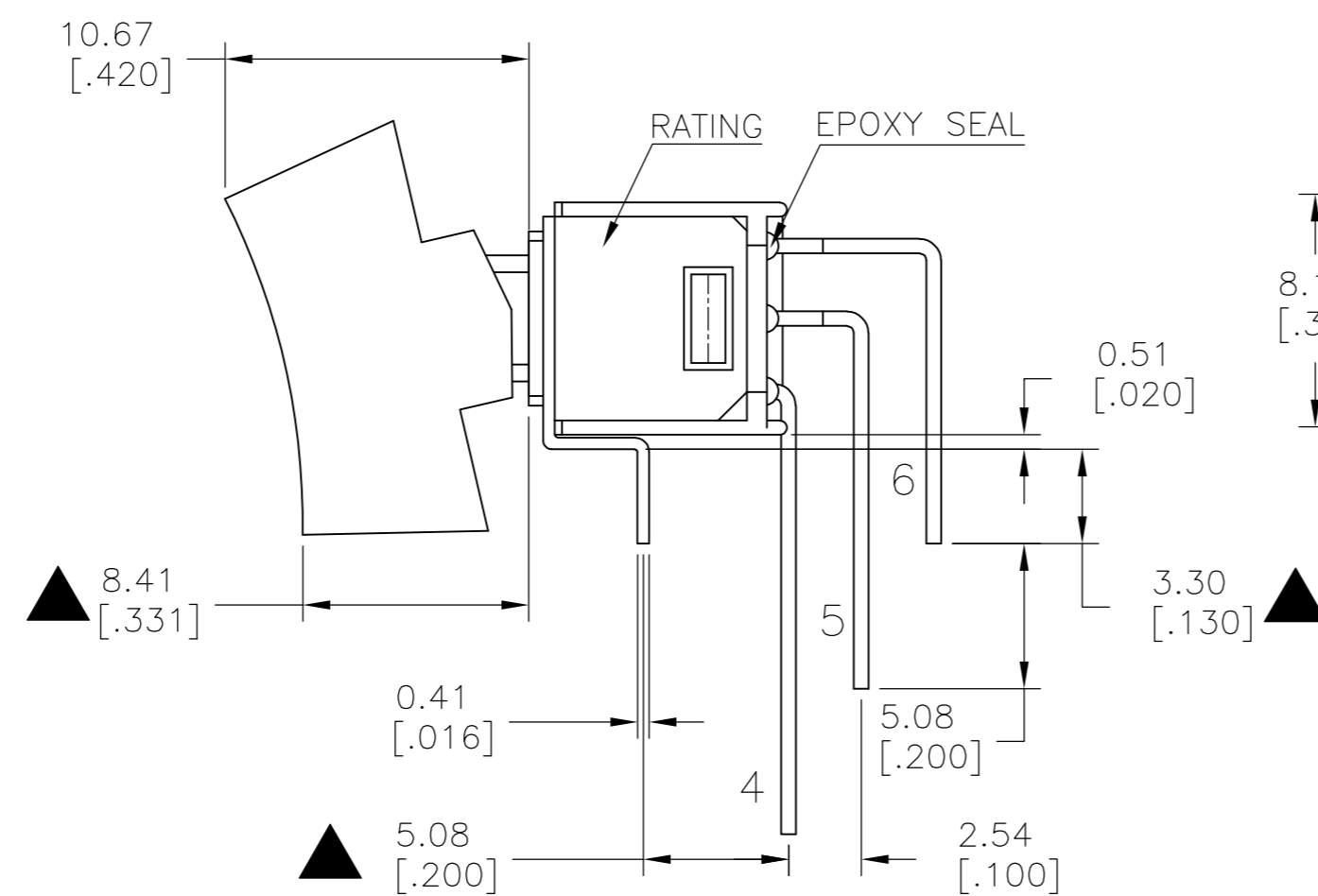
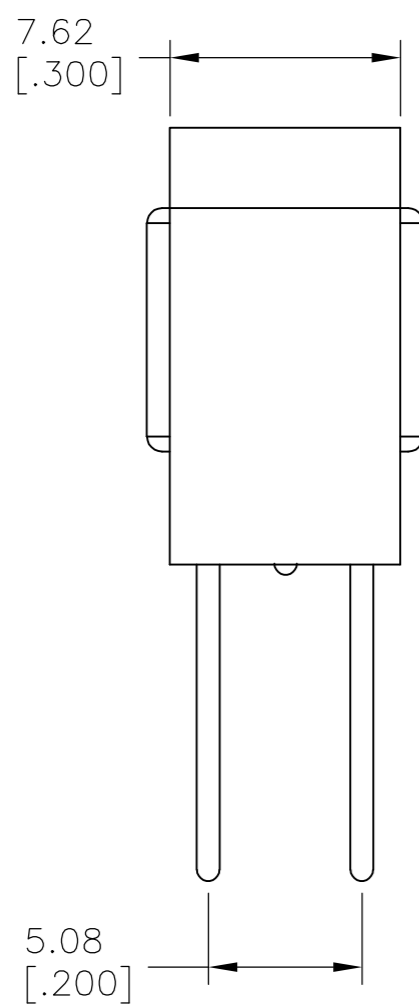
| | | | | |
|--|--|-----------------------------------|-----------------|------------------------------|
| THIS DRAWING IS A CONTROLLED DOCUMENT. | | DWN NAGALAKSHMI K 11JUL2014 | TE Connectivity | |
| DIMENSIONS: mm [INCHES] | | CHK HILL, RYAN 11JUL2014 | | |
| TOLERANCES UNLESS OTHERWISE SPECIFIED: | | APVD HILL, RYAN 11JUL2014 | NAME | |
| 0 PLC ± - 1 PLC ± 0.38[.015] 2 PLC ± 0.25[.010] 3 PLC ± - 4 PLC ± - ANGLES ± 5° | | PRODUCT SPEC | | SUBMINIATURE ROCKER SWITCHES |
| MATERIAL | | APPLICATION SPEC | | |
| FINISH | | WEIGHT | SIZE A2 | CAGE CODE 00779 |
| | | DRAWING NO. C-2267087 | | RESTRICTED TO |
| | | CUSTOMER DRAWING | | SCALE 3:1 |
| | | SHEET 3 of 5 | | REV A |

THIS DRAWING IS UNPUBLISHED. RELEASED FOR PUBLICATION
 © COPYRIGHT - By - ALL RIGHTS RESERVED.

| LOC | | DIST | | REVISIONS | | | |
|-----|-----|-------------|------|-----------|------|--|--|
| P | LTR | DESCRIPTION | DATE | DWN | APVD | | |
| - | - | SEE SHEET 1 | - | - | - | | |



P.C. MOUNTING
 SPDT M7
 VERTICAL
 RIGHT ANGLE



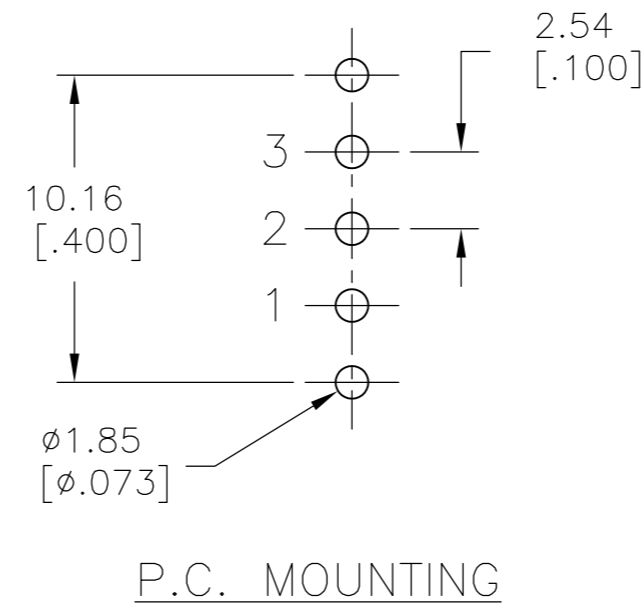
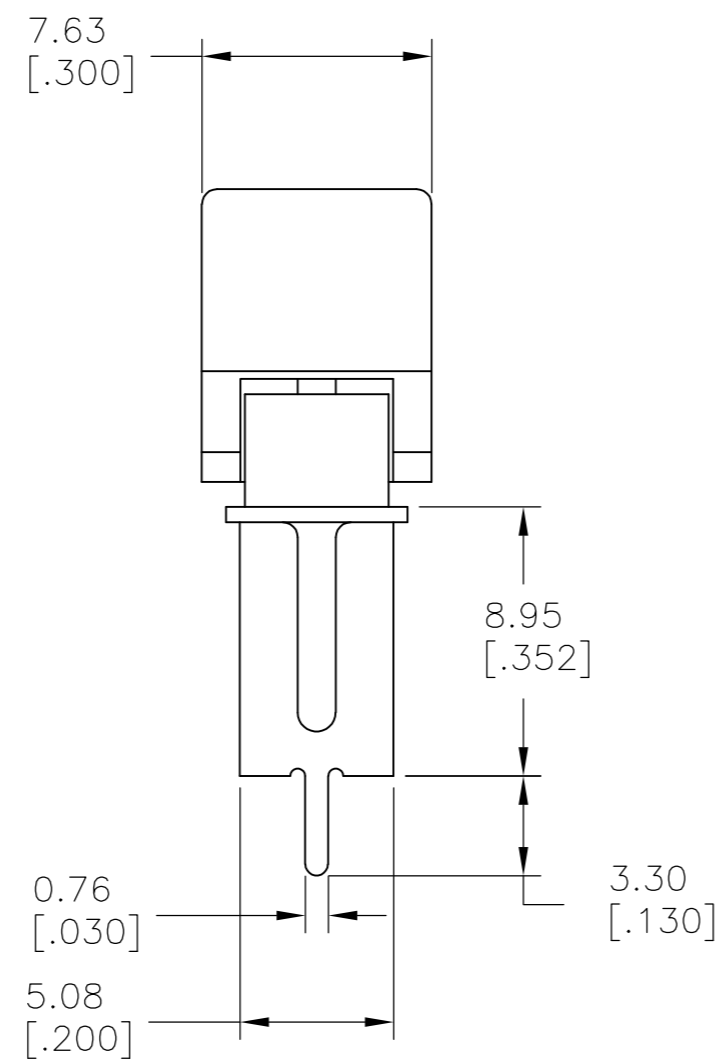
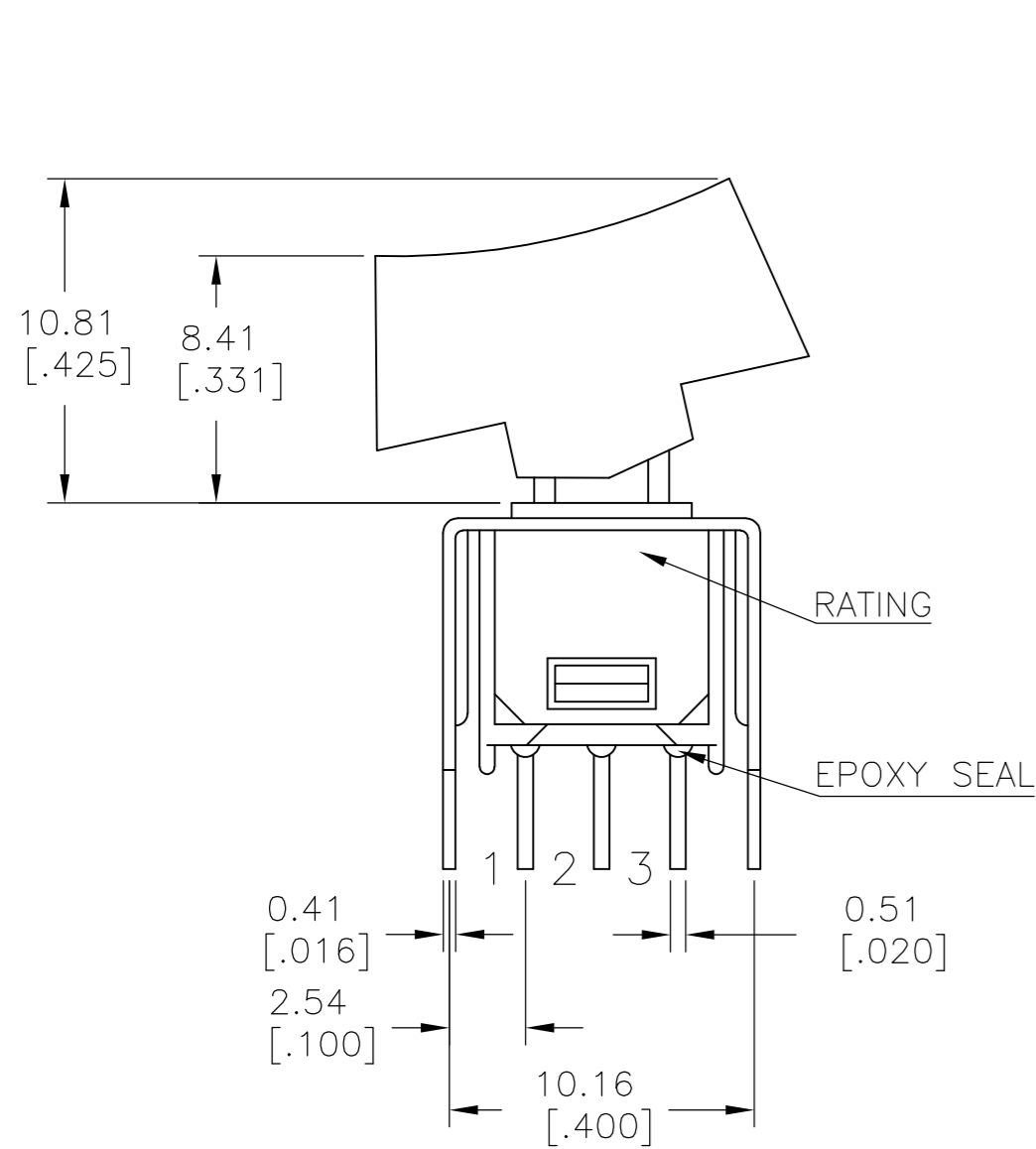
DPDT M7
 VERTICAL
 RIGHT ANGLE

LAYOUT FOR PN 2267087-5 & 6

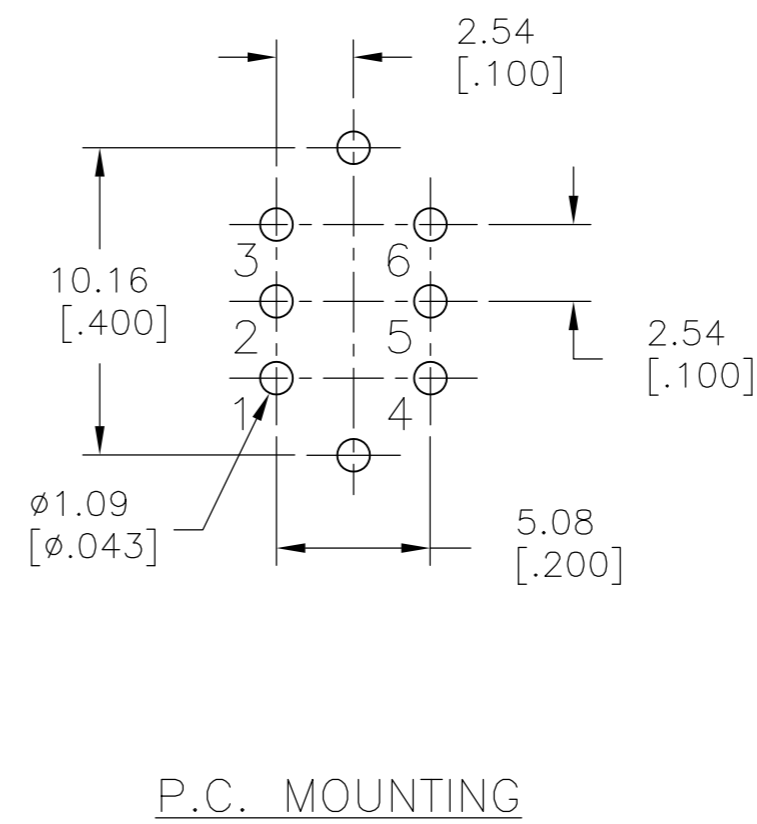
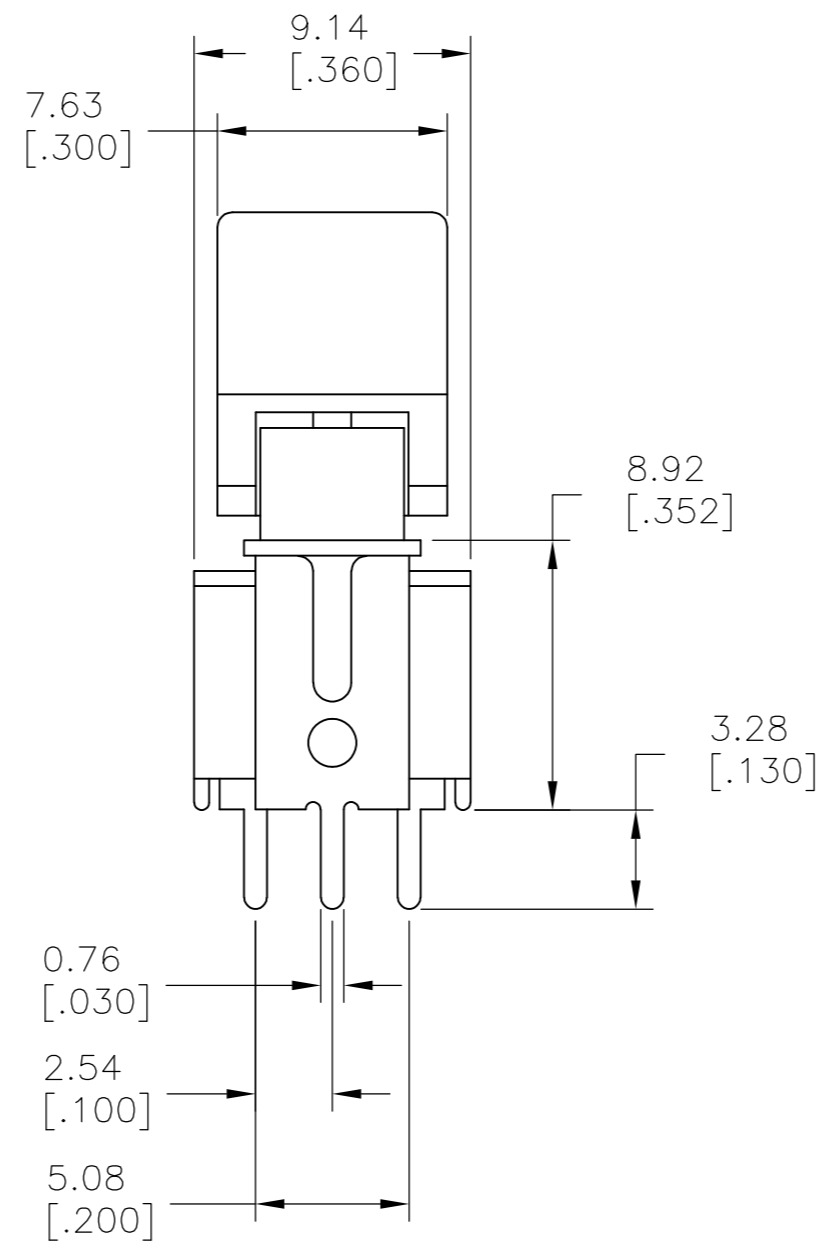
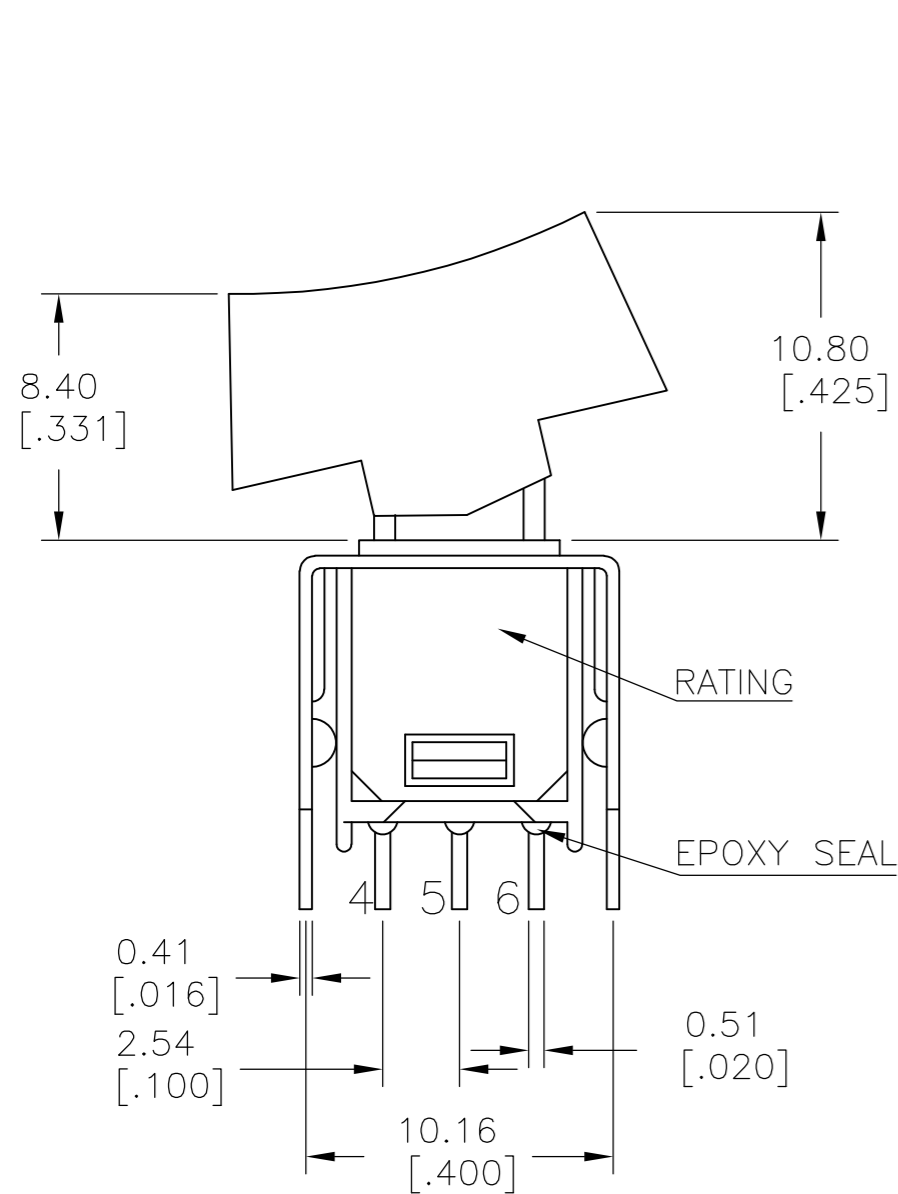
| | | | | |
|--|--------------------|-----------------------------------|------------------------------|---------------|
| THIS DRAWING IS A CONTROLLED DOCUMENT. | | DWN NAGALAKSHMI K 11JUL2014 | STE TE Connectivity | |
| DIMENSIONS: mm [INCHES] | | CHK HILL, RYAN 11JUL2014 | | |
| TOLERANCES UNLESS OTHERWISE SPECIFIED: | | APVD HILL, RYAN 11JUL2014 | NAME | |
| 0 PLC ± - | 1 PLC ± 0.38[.015] | PRODUCT SPEC | SUBMINIATURE ROCKER SWITCHES | |
| 2 PLC ± 0.25[.010] | 3 PLC ± - | APPLICATION SPEC | SIZE | RESTRICTED TO |
| 4 PLC ± - | ANGLES ± 5° | FINISH | A2 | - |
| MATERIAL | FINISH | WEIGHT | CAGE CODE | DRAWING NO |
| - | - | - | 00779 | C=2267087 |
| CUSTOMER DRAWING | | | SCALE | SHEET |
| | | | 3:1 | 4 of 5 |
| | | | REV | A |

THIS DRAWING IS UNPUBLISHED. RELEASED FOR PUBLICATION
 © COPYRIGHT - By - ALL RIGHTS RESERVED.

| LOC | | DIST | | REVISIONS | | | |
|-----|-----|-------------|------|-----------|------|--|--|
| P | LTR | DESCRIPTION | DATE | DWN | APVD | | |
| - | - | SEE SHEET 1 | - | - | - | | |



SPDT VS2
 VERTICAL V-BRACKET



DPDT VS2
 VERTICAL V-BRACKET

LAYOUT FOR PN 2267087-7 & 8

| | | | | | | | |
|--|--|------------------|-----------|---------------------|------------------------------|-----------|------------|
| THIS DRAWING IS A CONTROLLED DOCUMENT. | | DWN | 11JUL2014 | TE Connectivity | | | |
| DIMENSIONS: | | CHK | 11JUL2014 | | NAME | | |
| mm [INCHES] | | APVD | 11JUL2014 | | SUBMINIATURE ROCKER SWITCHES | | |
| TOLERANCES UNLESS OTHERWISE SPECIFIED: | | PRODUCT SPEC | | | SIZE | CAGE CODE | DRAWING NO |
| 0 PLC ± - | | APPLICATION SPEC | | A2 | 00779 | C=2267087 | |
| 1 PLC ± 0.38[.015] | | | | SCALE | SHEET | REV | |
| 2 PLC ± 0.25[.010] | | | | 3:1 | 5 of 5 | A | |
| 3 PLC ± - | | | | CUSTOMER DRAWING | | | |
| 4 PLC ± - | | | | | | | |
| ANGLES ± 5° | | | | | | | |
| FINISH | | | | | | | |

X-ON Electronics

Largest Supplier of Electrical and Electronic Components

Click to view similar products for [Toggle Switches](#) category:

Click to view products by [TE Connectivity](#) manufacturer:

Other Similar products are found below :

[8A1-C-222](#) [60012L](#) [6006L](#) [6663](#) [7101MD9V30GE](#) [7101SPDV30BE](#) [7103SDV30BE](#) [7105D](#) [7108P3YAV2BE](#) [71YY50282](#)
[7201MD9AVBE](#) [7301K38](#) [7306K36](#) [7310K36](#) [7314K36](#) [7506K4](#) [7592K6](#) [7691K14](#) [7700K1](#) [8396K108](#) [8824K14](#) [8828K13](#) [G2VX](#) [G3VX](#)
[PS83-121G](#) [A101MD9AB04](#) [A101SD9AB04](#) [A101SDCQ04](#) [A103SD9AQ04](#) [A107TZB04](#) [A123P32YZQ](#) [A123S1YZG](#) [A127S1YCQ](#) [1-](#)
[1825192-0](#) [A131S1YZQ](#) [A201SCWZB04](#) [A207SYCB04](#) [A208J61ZQ0004](#) [A221K12KAG](#) [A221S1YZQ](#) [A221T1TCQ](#) [A232K12KZQ](#)
[A232M1YCQ](#) [A323S1CWZQ](#) [A423S1CWZG-M8](#) [A423S1YZQ](#) [12149A-3V](#) [12156AX408](#) [12147AGKX679](#) [12149AD2G0383VX408](#)