

| P | LTR | REVISIONS ÄNDERUNGEN DESCRIPTION BESCHREIBUNG | DATE | DWN | APVD |
|----|-----|--|-----------|-----|------|
| A2 | | DESCRIPTION CORRECTED FROM SOLDER TO SCREW TERMINAL IN TITLE BLOCK | 13NOV2014 | CR | JK |
| A3 | | ECR-17-000922. Obsolete PN | 29MAY2017 | X.X | X.X |
| A4 | | ECR-18-005237. REACTIVE PN | 04APR2018 | T.F | C.W |

| TECHNICAL DATA | 2-2271116-1 | 2-2271116-2 | 3-2271116-1 | 3-2271116-2 | 4-2271116-1 | 4-2271116-2 | 5-2271116-2 | 6-2271116-2 |
|-----------------------|-------------|-------------|-------------|-------------|-------------|-------------|-------------|-------------|
| RATED VOLTAGE | 250V | 250V | 250V | 250V | 125V | 125V | 60V | 30V |
| RATED IMPULSE VOLTAGE | 2500V | 2500V | 2500V | 2500V | 1500V | 1500V | 800V | 500V |
| POLLUTION DEGREE | 3 | 3 | 3 | 3 | 3 | 3 | 3 | 3 |
| OVERVOLTAGE CATEGORY | II | II | II | II | II | II | II | II |
| MATERIAL GROUP | II | II | II | II | II | II | II | II |
| RATED CURRENT | 4A | 4A | 4A | 4A | 4A | 4A | 2A | 2A |
| VOLUME RESISTIVITY | ≤ 8mΩ | ≤ 8mΩ | ≤ 8mΩ | ≤ 8mΩ | ≤ 8mΩ | ≤ 8mΩ | ≤ 3mΩ | ≤ 3mΩ |
| DEGREE OF PROTECTION | IP67 | IP67 | IP67 | IP67 | IP67 | IP67 | IP67 | IP67 |
| UPPER TEMPERATURE | +85 °C | +85 °C | +85 °C | +85 °C | +85 °C | +85 °C | +85 °C | +85 °C |
| LOWER TEMPERATURE | -40 °C | -40 °C | -40 °C | -40 °C | -40 °C | -40 °C | -40 °C | -40 °C |

1 MATERIAL: ITEM NO. 1: HOUSING - PA
 ITEM NO. 2: CONTACT BODY - PA
 ITEM NO. 3: CONTACT - CuZn (brass)

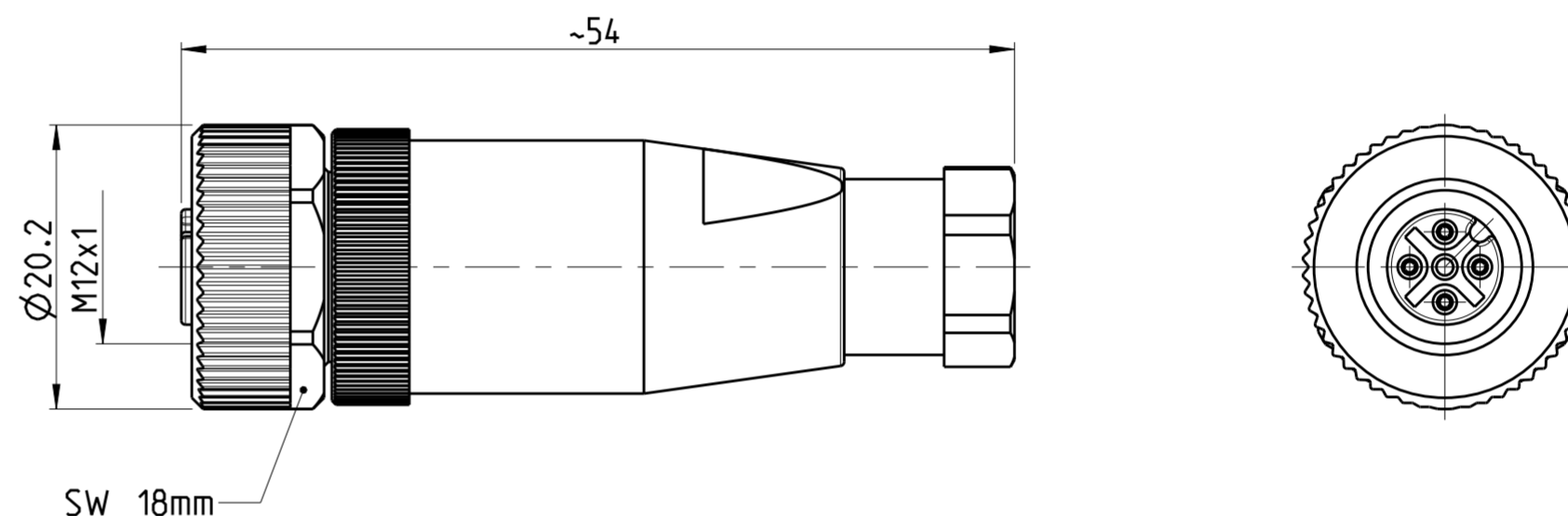
2 CONTACT FINISH - CuSnZn (Optalloy)

3 CONTACT FINISH - Au (gold)

4 ALL DIMENSIONS ARE FOR NOMINAL REFERENCE ONLY UNLESS OTHERWISE STATED

5 MEASUREMENT REFERENCE ONLY

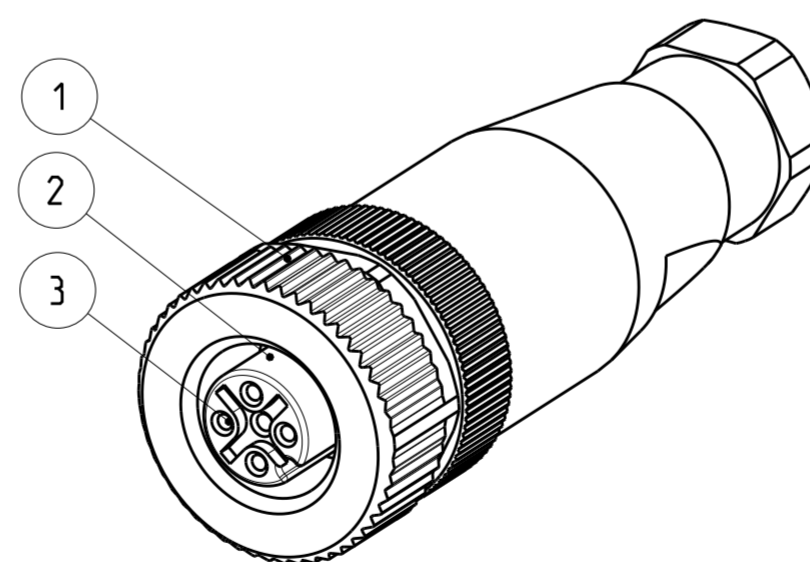
6 PACKAGING: 1 PIECE IN A BAG



PIN ARRANGEMENT
A-CODING (SCALE 2:1)

| 2-2271116-1 | 2-2271116-2 | 3-2271116-1 | 3-2271116-2 |
|-------------|-------------|-------------|-------------|
| | | | |
| 4-2271116-1 | 4-2271116-2 | 5-2271116-2 | 6-2271116-2 |
| | | | |

3-1 AS SHOWN
WIE GEZEICHNET



| CABLE FEED-THROUGH mm | WIRES AWG / mm ² | MATERIAL | NUMBER OF POLES | TE-PART-NO. | |
|-----------------------|-----------------------------|--------------------------|-----------------|-------------|-------------|
| Reactive | 6-8 | 24 / 0.25mm ² | 1 3 | 12 | 6-2271116-2 |
| Obsolete | 6-8 | 20 / 0.50mm ² | 1 3 | 8 | 5-2274116-2 |
| Obsolete | 6-8 | 18 / 0.75mm ² | 1 2 | 5 | 4-2274116-2 |
| Obsolete | 4-6 | 18 / 0.75mm ² | 1 2 | 5 | 4-2274116-1 |
| Obsolete | 6-8 | 18 / 0.75mm ² | 1 2 | 4 | 3-2274116-2 |
| Obsolete | 4-6 | 18 / 0.75mm ² | 1 2 | 4 | 3-2274116-1 |
| Obsolete | 6-8 | 18 / 0.75mm ² | 1 2 | 3 | 2-2274116-2 |
| Obsolete | 4-6 | 18 / 0.75mm ² | 1 2 | 3 | 2-2274116-1 |

DIESE ZEICHNUNG IST EIN KONTROLLIERTES DOKUMENT. BEMASSUNGEN UND TOLERANZEN GEMAESS GPS (ISO STANDARDS).
 THIS DRAWING IS A CONTROLLED DOCUMENT. DIMENSIONING AND TOLERANCING PER GPS (ISO STANDARDS).

DWN YASHKUMAR 25APR2014
 CHK M.STRELOW 25APR2014
 APVD C.SCHREITLINGER 25APR2014

PRODUCT SPEC 108-19483
 APPLICATION SPEC 114-32127

NAME M12 RECEPTACLE, STRAIGHT, FIELD INSTALLABLE, UNSHIELDED CONNECTOR, SCREW TERMINALS, A-CODING

SIZE A2 CAGE CODE 00779 DRAWING NO. C-2271116

Customer Drawing /KUNDENZEICHNUNG SCALE MASSSTAB 2:1 SHEET BLATT 1 OF 1 REV A4

SIZE ISO 14405 (E)

X-ON Electronics

Largest Supplier of Electrical and Electronic Components

Click to view similar products for [Circular Metric Connectors](#) category:

Click to view products by [TE Connectivity](#) manufacturer:

Other Similar products are found below :

[1424048](#) [1021212](#) [600X518037X](#) [6STD09SAM99B70X](#) [6STD15PCR99B70A](#) [8R4000A16M020](#) [1200910002](#) [1201150041](#) [1203580030](#)
[1200700064](#) [1200700263](#) [1200700416](#) [1200730102](#) [1200770002](#) [1-2823588-2](#) [130203-0054](#) [1300140026](#) [1300150099](#) [1-3637-600-5205](#)
[1545399](#) [1594331](#) [1600413](#) [1612606](#) [1612618](#) [1614660](#) [1A4000-348](#) [CA06EW24-10P-B-03](#) [21036836414](#) [2823064-1](#) [1610759](#) [A1642LK-](#)
[II-T](#) [1R3006A20M005](#) [41-01016](#) [41-40011](#) [41-40017](#) [42-00006](#) [42-01015](#) [4-22279-4](#) [4-22281-1](#) [4-22284-9](#) [43-00002](#) [43-00113](#) [43-00130](#)
[43-01028](#) [43-01034](#) [43-01088](#) [43-01090](#) [43-01203](#) [43-01209](#) [43-01335](#)