

THIS DRAWING IS UNPUBLISHED. VERTRÄGLICHE UNVERÖFFENTLICHTE ZEICHNUNG. RELEASED FOR PUBLICATION FREI FÜR VERÖFFENTLICHUNG. 2014. DATED WITHIN PASSEND ZU. ALL RIGHTS RESERVED. ALLE RECHTE VORBEHALTEN. COPYRIGHT 2014 Tyco Electronics AMP GmbH

PROJECT NO.: PRJ-14-00000805

REVISIONS		DATE	DWN	APVD
NO.	DESCRIPTION			
A2	DESCRIPTION CORRECTED FROM SOLDER TO SCREW TERMINAL IN TITLE BLOCK	13NOV2014	CR	JK

1 MATERIAL: ITEM NO. 1: HOUSING - PBT
 ITEM NO. 2: CONTACT BODY - PA
 ITEM NO. 3: CONTACT - CuZn

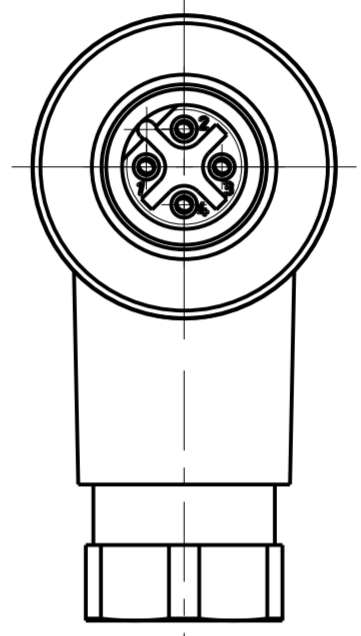
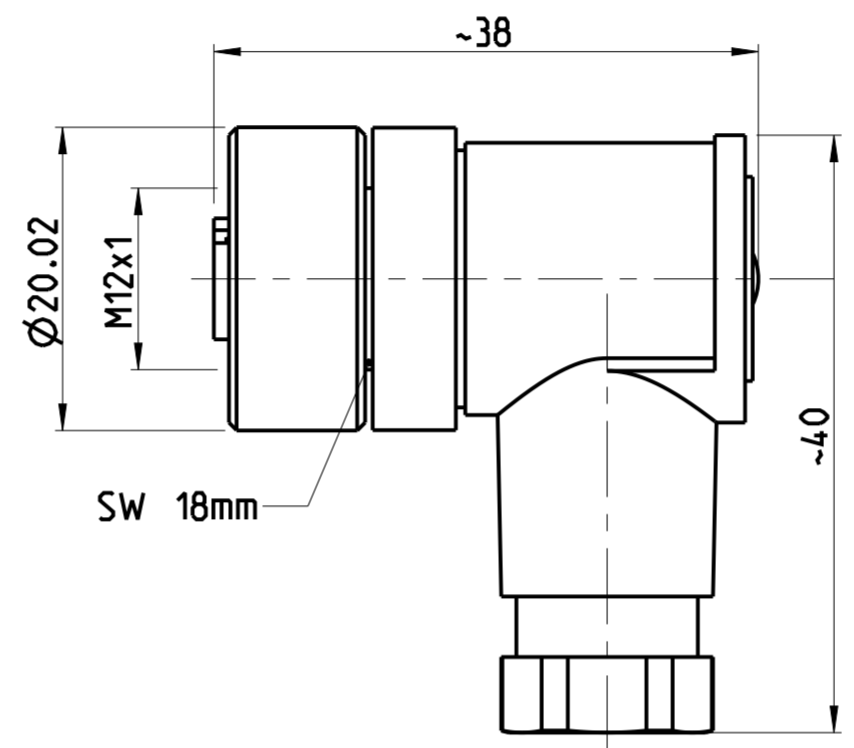
2 CONTACT FINISH - CuSnZn

3 CONTACT FINISH - Au

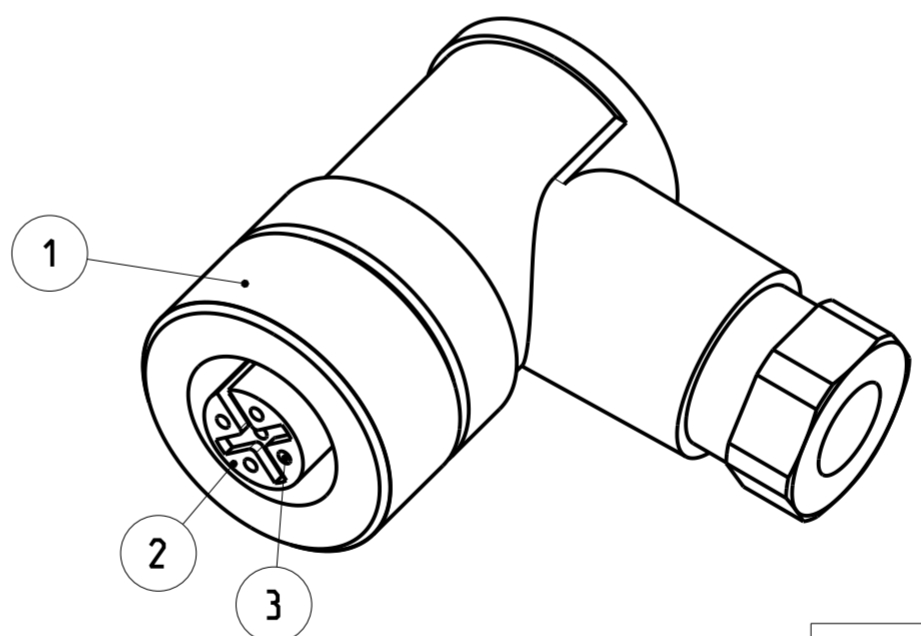
4 ALL DIMENSIONS ARE FOR NOMINAL REFERENCE ONLY UNLESS OTHERWISE STATED

5 MEASUREMENT REFERENCE ONLY

6 PACKAGING: 1 PIECE IN A BAG



TECHNICAL DATA	3-2271130-1	3-2271130-2	4-2271130-1	4-2271130-2
RATED VOLTAGE	250V	250V	125V	30V
RATED IMPULSE VOLTAGE	2500V	2500V	1500V	500V
POLLUTION DEGREE	3	3	3	3
OVERVOLTAGE CATEGORY	II	II	II	II
MATERIAL GROUP	II	III	III	III
RATED CURRENT	4A	4A	4A	2A
VOLUME RESISTIVITY	≤ 3mΩ	≤ 3mΩ	≤ 3mΩ	≤ 3mΩ
DEGREE OF PROTECTION	IP67	IP67	IP67	IP67
UPPER TEMPERATURE	+85 °C	+85 °C	+85 °C	+85 °C
LOWER TEMPERATURE	-40 °C	-40 °C	-40 °C	-40 °C



PIN ARRANGEMENT B-CODING (SCALE 2:1)

3-2271130-1	3-2271130-2	4-2271130-1	4-2271130-2

3-1 AS SHOWN WIE GEZEICHNET

CABLE FEED-THROUGH mm	WIRES AWG / mm²	MATERIAL	NUMBER OF POLES	TE-PART-NO.
6-8	24 / 0.25mm²	1 3	5	4-2271130-2
4-6	18 / 0.75mm²	1 2	5	4-2271130-1
6-8	18 / 0.75mm²	1 2	4	3-2271130-2
4-6	18 / 0.75mm²	1 2	4	3-2271130-1

DIESE ZEICHNUNG IST EIN KONTROLLIERTES DOKUMENT. BEMASSUNGEN UND TOLERANZEN GEMAESS GPS (ISO STANDARDS).

THIS DRAWING IS A CONTROLLED DOCUMENT. DIMENSIONING AND TOLERANCING PER GPS (ISO STANDARDS).

DIMENSIONS: MASSE/MASSSTAB: IT/IT1	TOLERANCES UNLESS OTHERWISE SPECIFIED: ALLGEMEINTOLERANZEN	DWN YASHKUMAR 21MAY2014	CHK M.STRELOW 21MAY2014	APVD C.SCHREITLINGER 21MAY2014
0 PLC ±	1 PLC ±	2 PLC ±	3 PLC ±	4 PLC ±
ANGLES/WINKEL	FINISH/OBERFLAECHE/FARBE	PRODUCT SPEC 108-19483	APPLICATION SPEC 114-32127	WEIGHT GEWICHT
MATERIAL		Customer Drawing	/KUNDENZEICHNUNG	SCALE MASSSTAB 2:1

STE TE Connectivity

M12 RECEPTACLE, 90 DEG ANGLED FIELD INSTALLABLE, UNSHIELDED CONNECTOR, SCREW TERMINALS, B-CODING

SIZE A2 CAGE CODE 00779 DRAWING NO. C-2271130

SHEET 1 OF 1 REV A2

SIZE ISO 14405 (E)

X-ON Electronics

Largest Supplier of Electrical and Electronic Components

Click to view similar products for [Circular Metric Connectors](#) category:

Click to view products by [TE Connectivity](#) manufacturer:

Other Similar products are found below :

[1424048](#) [1021212](#) [600X518037X](#) [6STD09SAM99B70X](#) [6STD15PCR99B70A](#) [8R4000A16M020](#) [1200910002](#) [1201150041](#) [1203580030](#)
[1200700064](#) [1200700263](#) [1200700416](#) [1200730102](#) [1200770002](#) [1-2823588-2](#) [130203-0054](#) [1300140026](#) [1300150099](#) [1-3637-600-5205](#)
[1545399](#) [1594331](#) [1600413](#) [1612606](#) [1612618](#) [1614660](#) [1A4000-348](#) [CA06EW24-10P-B-03](#) [21036836414](#) [2823064-1](#) [1610759](#) [A1642LK-](#)
[II-T](#) [1R3006A20M005](#) [41-01016](#) [41-40011](#) [41-40017](#) [42-00006](#) [42-01015](#) [4-22279-4](#) [4-22281-1](#) [4-22284-9](#) [43-00002](#) [43-00113](#) [43-00130](#)
[43-01028](#) [43-01034](#) [43-01088](#) [43-01090](#) [43-01203](#) [43-01209](#) [43-01335](#)