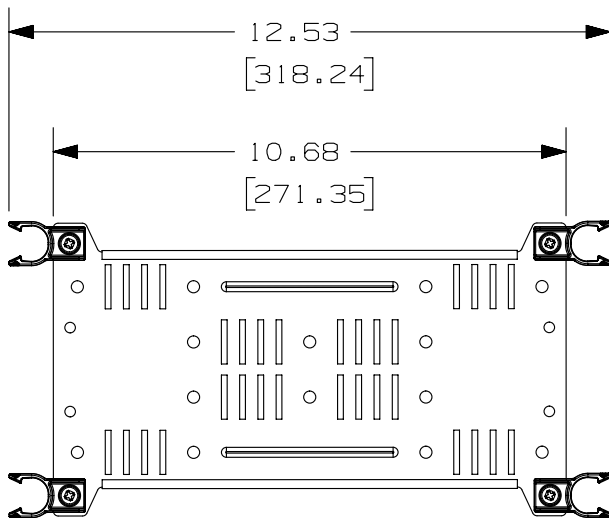


THIS COPY IS PROVIDED ON A RESTRICTED BASIS AND IS NOT TO BE USED IN ANY WAY DETRIMENTAL TO THE INTERESTS OF PANDUIT CORP.

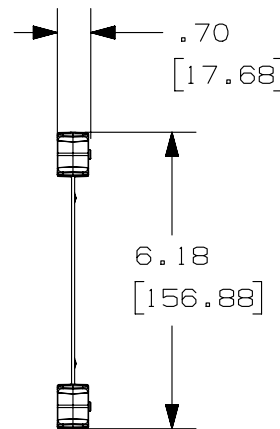
PANDUIT PART NO.	WEIGHT
FLEX-CM12C	1.55 lbs (0.70 kg)
FLEX-CM18C	

NOTES:

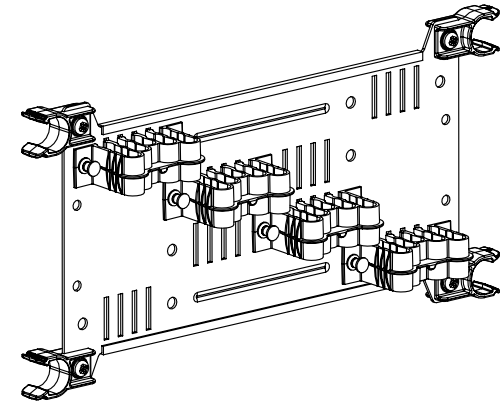
- SEE CATALOG FOR COMPLETE LIST OF PARTS APPLICABLE FOR USE WITH THIS PART.
- DIMENSIONS IN BRACKETS ARE METRIC.
- MATERIAL: GALVANNEALED STEEL W/ PLASTIC CLIPS
COLOR: BLACK
- INCLUDES 4 TRANSITION BUNDLING CLIPS.
(18 POSITION OR 12 POSITION CLIPS AVAILABLE)
- TRANSITION PANEL ATTACHES TO PANDUIT PEV12 VERTICAL CABLE MANAGER.
- ALL MATERIALS AND COMPONENTS USED MEET THE MATERIAL RESTRICTIONS OF RoHS (EUROPEAN DIRECTIVE 2011/65/EC ON THE RESTRICTION OF HAZARDOUS SUBSTANCES) AS PROPOSED BY THE RoHS TECHNICAL ADAPTATION COMMITTEE.



FRONT VIEW



SIDE VIEW



ISO VIEW
(12 POSITION BUNDLING CLIPS SHOWN)

REV	DATE	BY	CHK	APR	DESCRIPTION	ECN
00	01-13-15	SAT	BSN	TMK	RELEASED TO PRODUCTION	12F187JF-DC

TITLE		HD FLEX REAR CABLE MANAGER	
CUSTOMER DRAWING			
ITEM REVISION NAME		12F187JF/00	
DATASET FILE NAME		12F187JF_DC/00A	
UNLESS OTHERWISE SPECIFIED, DIMENSIONAL TOLERANCES ARE: IN (mm)			
.x ± .xxx ± .010 (0.3)			
.xx ± .03 (0.8) ANGLES ±		PART NO. SEE TABLE	
		DRAWING NUMBER: 12F187JF-DC	
DRAWN BY	DATE	CHK	SCALE
SAT	01-13-15	BSN	1:4
SHT 1 OF 1			SIZE A

X-ON Electronics

Largest Supplier of Electrical and Electronic Components

Click to view similar products for [Racks & Rack Cabinet Accessories](#) category:

Click to view products by [Panduit](#) manufacturer:

Other Similar products are found below :

[CR-1727](#) [M00-PLN](#) [F2420](#) [F2424](#) [8310-1032-SS](#) [9104](#) [PLFF2000](#) [PLFF6000](#) [GP216](#) [PTFA60000LG](#) [H-9163-B](#) [AC220-84-1](#) [HEH050BA](#)
[1427C3](#) [BAS-5104](#) [N-700-2](#) [190-002](#) [HTL10](#) [HTS10](#) [PC-118](#) [PC-780L](#) [PC-79](#) [PC-800](#) [SC4-28](#) [F3024](#) [AKWAMT](#) [PLFF1000](#) [GRPB12PG](#)
[CG3-340S/12](#) [2CWDP36](#) [2CWDP48](#) [2SSHINGE](#) [CP-001BK](#) [CPL19431LG1](#) [R570-004-107](#) [M6123-4007-SS](#) [TS170](#) [531300535](#) [BRX-](#)
[12290](#) [C4BD3077SBK1](#) [UPS 7-17-14 PLAIN](#) [LP40](#) [5261304-07](#) [CCA26-44-01](#) [706-102](#) [CG3-160G](#) [7112C-PLN ALUM](#) [CM10](#) [TS81](#) [7142](#)