

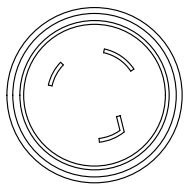
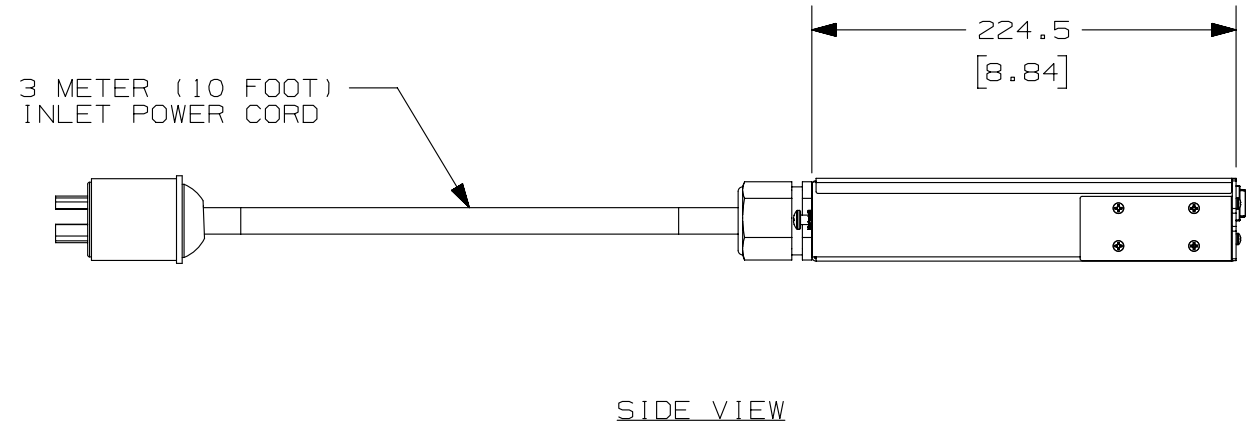
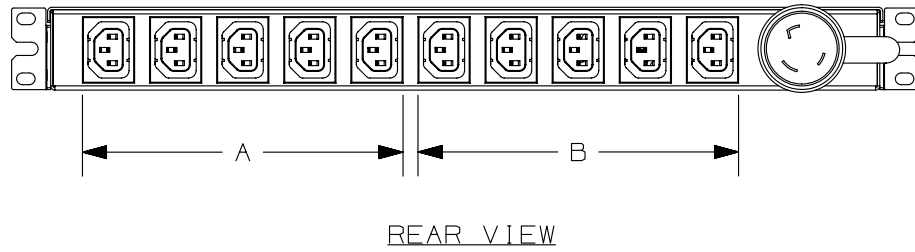
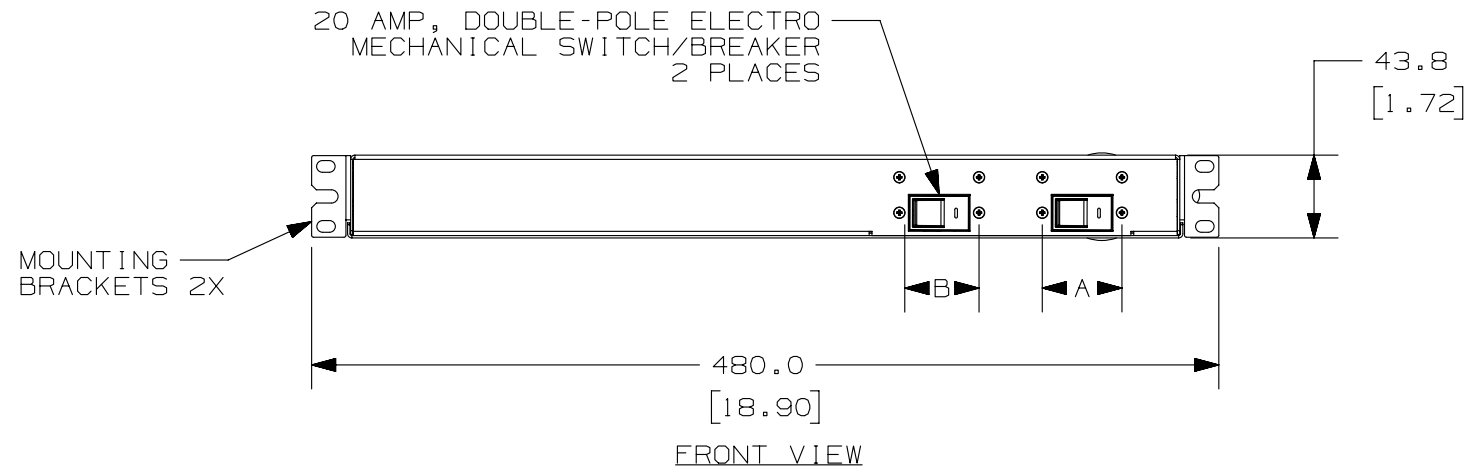
THIS COPY IS PROVIDED ON A RESTRICTED BASIS AND IS NOT TO BE USED IN ANY WAY DETRIMENTAL TO THE INTERESTS OF PANDUIT CORP.

PANDUIT P/N	WEIGHT
H1B1B1L2N10AXA0	4.7kg (10.36lbs)

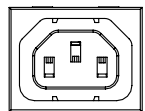
NOTES:
 1. IDENTIFICATION: 1RU HORIZONTAL, (10) C13 BASIC 208V / 30A / SINGLE-PHASE PDU

PART NO. H1B1B1L2N10AXA0 COLOR BLACK

- ACCESSORY COMPONENTS:
 (1) QUICK-START GUIDE
 (4) M6 X 20mm SCREWS
 (4) 12-24 X 1/2" SCREWS
- PRIMARY DIMENSIONS ARE IN MILLIMETERS, SECONDARY DIMENSIONS IN [INCHES].
- RoHS COMPLIANT.
- VISIT OUR ON-LINE CATALOG AT WWW.PANDUIT.COM FOR A CURRENT LIST OF PRODUCTS APPLICABLE FOR USE WITH THIS PART.
- MAXIMUM AVAILABLE INPUT POWER = 4.9 kW
- INSTALLATION SHALL COMPLY WITH ALL APPLICABLE NATIONAL, STATE, AND LOCAL CODES.
- PRINTED WITH PHASE & CIRCUIT IDENTIFICATION.



PLUG
 30 AMP, 250V
 TWIST LOCK
 NEMA L6-30P



TEN (10)
 RECEPTACLES
 15 AMP, 250V
 STRAIGHT BLADE
 IEC 60320/C13

00A	09-19-14	SAT	MRWA	EDM	RELEASED TO PRODUCTION		12V092CX-DC		

REV	DATE	BY	CHK	APR	DESCRIPTION	ECN

WE ASK THAT YOU CHECK FULLY THE DIMENSIONS, NOTES, AND SIGN THE CLIENT SIGNATURE BOX.
 THE JOB WILL NOT PROGRESS WITHOUT SIGNED APPROVAL. PLEASE DO NOT DELAY IN RETURNING PROOF AS IT WILL AFFECT DELIVERY.

SIGN	
DATE	
PRINT	

TITLE: BASIC PDU (10) C13 CUSTOMER DRAWING

ITEM REVISION NAME: 12V092CX/00

DATASET FILE NAME: 12V092CX_DC/00A

UNLESS OTHERWISE SPECIFIED, DIMENSIONAL TOLERANCES ARE:
 INCHES: X.X +/- 0.03, X.XX +/- 0.018, X.XXX +/- 0.007
 METRIC - MILLIMETER: X.X +/- 0.8, X.X +/- 0.46, X.XX +/- 0.18
 ANGLE: +/- 1°

MATERIAL/COLOR: N/A

DRAWING NUMBER: 12V092CX-DC

THIRD ANGLE PROJECTION

DRAWN BY: SAT, DATE: 09-10-14, CHK: MRWA, SCALE: NONE

SHT 1 OF 1, SIZE: B

X-ON Electronics

Largest Supplier of Electrical and Electronic Components

Click to view similar products for [Power Outlet Strips](#) category:

Click to view products by [Panduit](#) manufacturer:

Other Similar products are found below :

[G20IG606](#) [1301430288](#) [1301530208](#) [1302100069](#) [1301430321](#) [1301530054](#) [1447B163](#) [1585T16A1RA](#) [UL602CB-6](#) [UL7408-6](#) [ULHC4-15](#)
[V20IG606](#) [UL2063BD](#) [TSB](#) [1301530203](#) [4748.03](#) [4309](#) [UL7208-15](#) [3083](#) [3050F](#) [3090](#) [1301530132](#) [1301530117](#) [1301530164](#) [1301530050](#)
[1301530141](#) [1301430252](#) [1301530179](#) [1301530065](#) [1301350158](#) [1301530052](#) [1301530068](#) [1301530120](#) [HB0B1L4BT08W1](#)
[VB0D2B2BM30P1](#) [HA0A1D0CA10E1](#) [HA0A1M2CM10E1](#) [HA1A1D0CA10E1](#) [VB0B1L2BN24H1](#) [PN1A1C0BA10E1](#) [HA0B1E0CA1081](#)
[HA0D2U0CA1081](#) [HA0D2A0CA1081](#) [HA1D2U0CA1081](#) [HA1D2A0CA1081](#) [HB1B2J0AA10M1](#) [LZ1D2A0FA0AJ1](#) [LZ1D2P0FA0AL1](#)
[VB0B1L4CN48M1](#) [MA002](#)