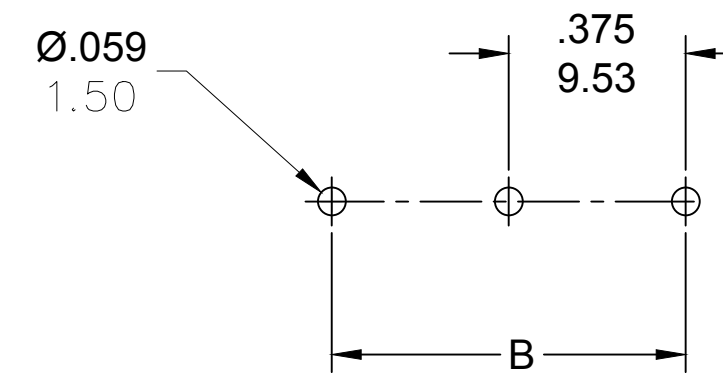
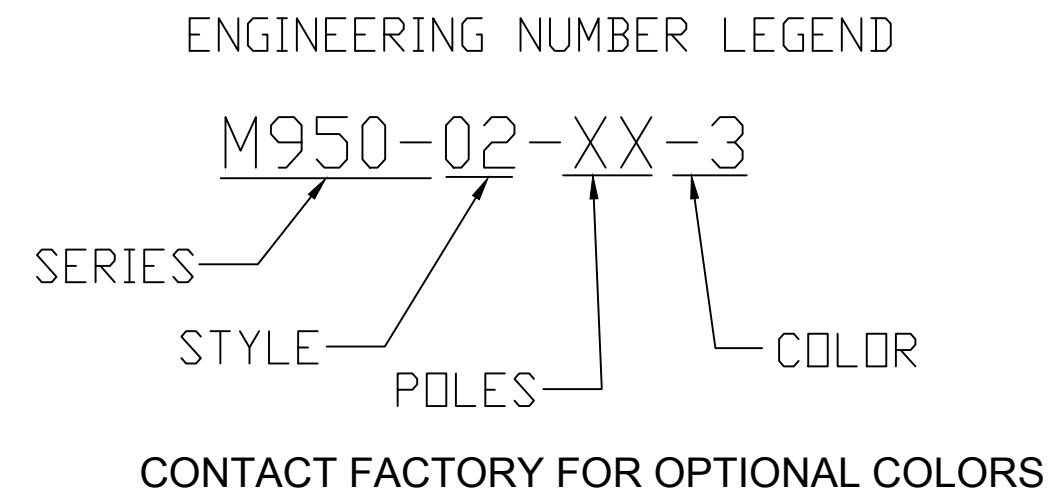
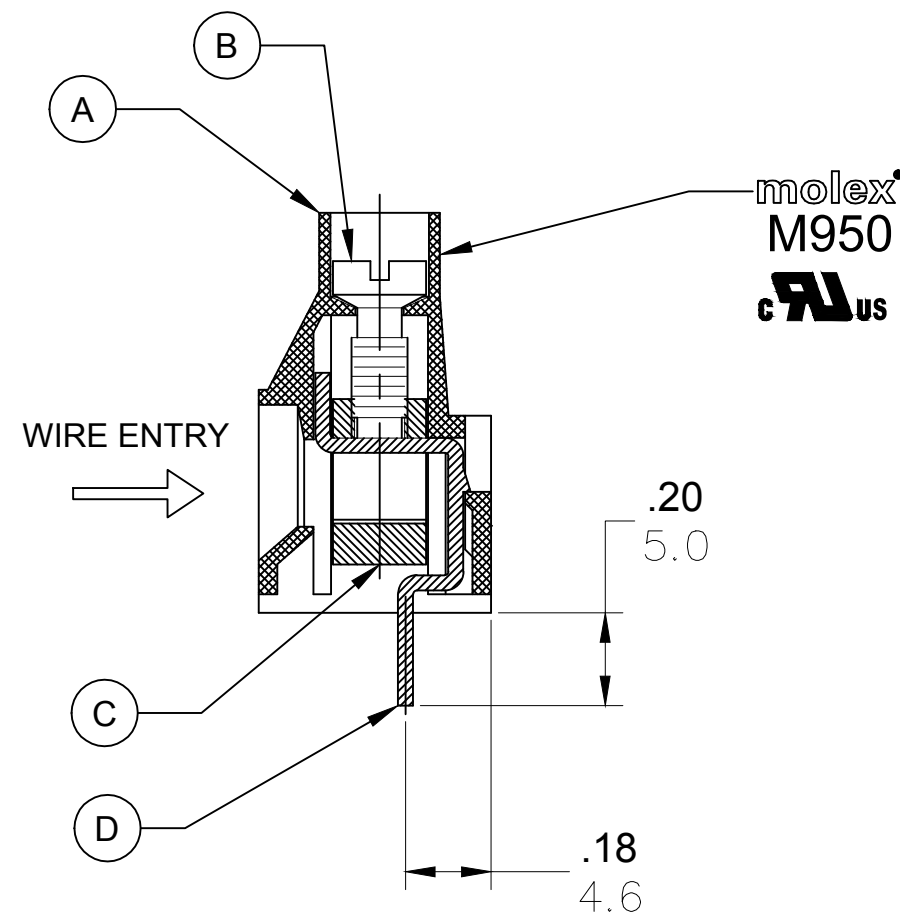
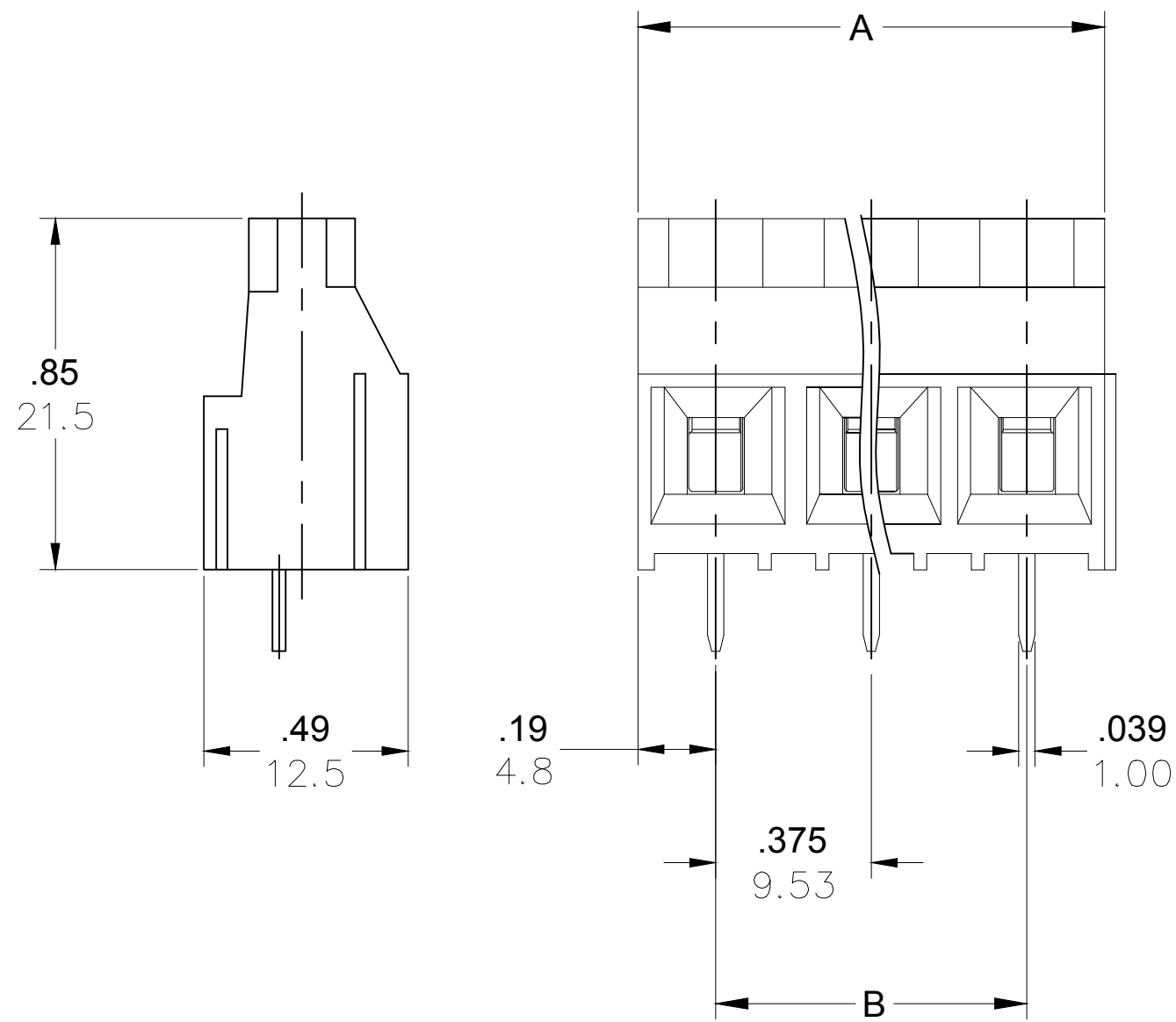


PART NUMBER DATA							
CIRCUITS	PART NUMBER	ENGINEERING NUMBER	COLOR	A IN mm		B IN mm	
2	397460002	M950-02-02-3	GREEN	.75	19.1	.375	9.53
3	397460003	M950-02-03-3	GREEN	1.13	28.6	.750	19.05
4	397460004	M950-02-04-3	GREEN	1.50	38.1	1.125	28.58

REF. LAST 2 DIGITS OF PART NUMBER EQUAL CIRCUIT COUNT



PCB LAYOUT

SPECIFICATIONS:

- MATERIAL:
  - BODY: PA66, UL94 V-0
  - SCREW: M3, STEEL ZINC PLATED
  - CAGE: BRASS, NI PLATED
  - TERMINAL: BRASS, TIN PLATED
- RATING: 300V, 30A
- MAX TORQUE: 4.5 LBF. IN.
- WIRE RANGE: 30-10 AWG
- WIRE STRIP: .31 IN, (8.0mm)
- DIELECTRIC VOLTAGE WITHSTAND: AC 2500V FOR 1 MINUTE.
- INSULATION RESISTANCE: DC 500V, 500MΩ
- RATED IMPULSE VOLTAGE: 4000V, PLUS AND MINUS 5 TIMES EACH
- OPERATING TEMPERATURE: -40°C TO +105°C
- MAX. SOLDERING TEMP: 250°C (500°F) FOR 5 SECONDS
- DIMS. SHOWN ARE FOR REFERENCE ONLY

TOLERANCES			
MM	TOL	INCH	TOL
0-6	±0.25	0-.24	±.010
>6-30	±0.40	.24-1.18	±.016
>30-120	±0.50	1.18-4.76	±.020
>120	±0.80	>4.76	±.031

REVISED DOC TOL EC NO.: ICG2017-0881 DRWN: ABENJAMI CHKD: --- APPR: BRUPERT 2014/10/16 4/6/17	QUALITY SYMBOL	GENERAL TOLERANCES (UNLESS SPECIFIED)	DIMENSION STYLE IN/MM	SCALE ---	DESIGN UNITS METRIC	THIRD ANGLE PROJECTION
	▽=0	4 PLACES ±--- ±---	DRAWN BY RSTONE DATE 2014/06/27	TITLE	EURO TERMINAL BLOCK 9.53MM MODULAR VERTICAL	
	∇=0	3 PLACES ±--- ±---	CHECKED BY G FARNSW DATE ---	MOLEX INCORPORATED		
		2 PLACES ±--- ±---	APPROVED BY JFMURPHY DATE 2014/10/16	MATERIAL NO. SEE CHART	DOCUMENT NO. SD-39746-001	SHEET NO. 1 OF 1
A1	DESCRIPTION	1 PLACE ±--- ±---	SIZE C	THIS DRAWING CONTAINS INFORMATION THAT IS PROPRIETARY TO MOLEX INCORPORATED AND SHOULD NOT BE USED WITHOUT WRITTEN PERMISSION		

## X-ON Electronics

Largest Supplier of Electrical and Electronic Components

*Click to view similar products for [Pluggable Terminal Blocks](#) category:*

*Click to view products by [Molex](#) manufacturer:*

Other Similar products are found below :

[57.404.7553](#) [57.504.0053.7](#) [57.510.0053](#) [57.910.6153](#) [01.112.1453](#) [CTB932VE/6](#) [MC 1.5/ 6-ST-3.5 GY AU](#) [ET02015000J0G](#) [734-104](#) [734-302](#) [734-304](#) [8-141-P](#) [FKCT 2.5/ 3-ST KMGY](#) [860505](#) [860508](#) [860516](#) [860810](#) [861908](#) [GBPACX-12](#) [93.731.4953.0](#) [PV05-5,08-K](#) [PVP02-5,00](#) [PVP04-3,50](#) [PVS02-5,00](#) [1-1986160-3](#) [H-10](#) [1546228-5](#) [ELFP03110](#) [ELVP03100](#) [ELXH03100](#) [ELXP041G0](#) [ELXT046G0](#) [1700101](#) [1700410](#) [1700425](#) [1703176](#) [1703243](#) [1705229](#) [1710175](#) [1714537](#) [1717806](#) [1719600](#) [1728941](#) [1729386](#) [1734692](#) [1734795](#) [1736036](#) [1740194](#) [1740291](#) [1740628](#)