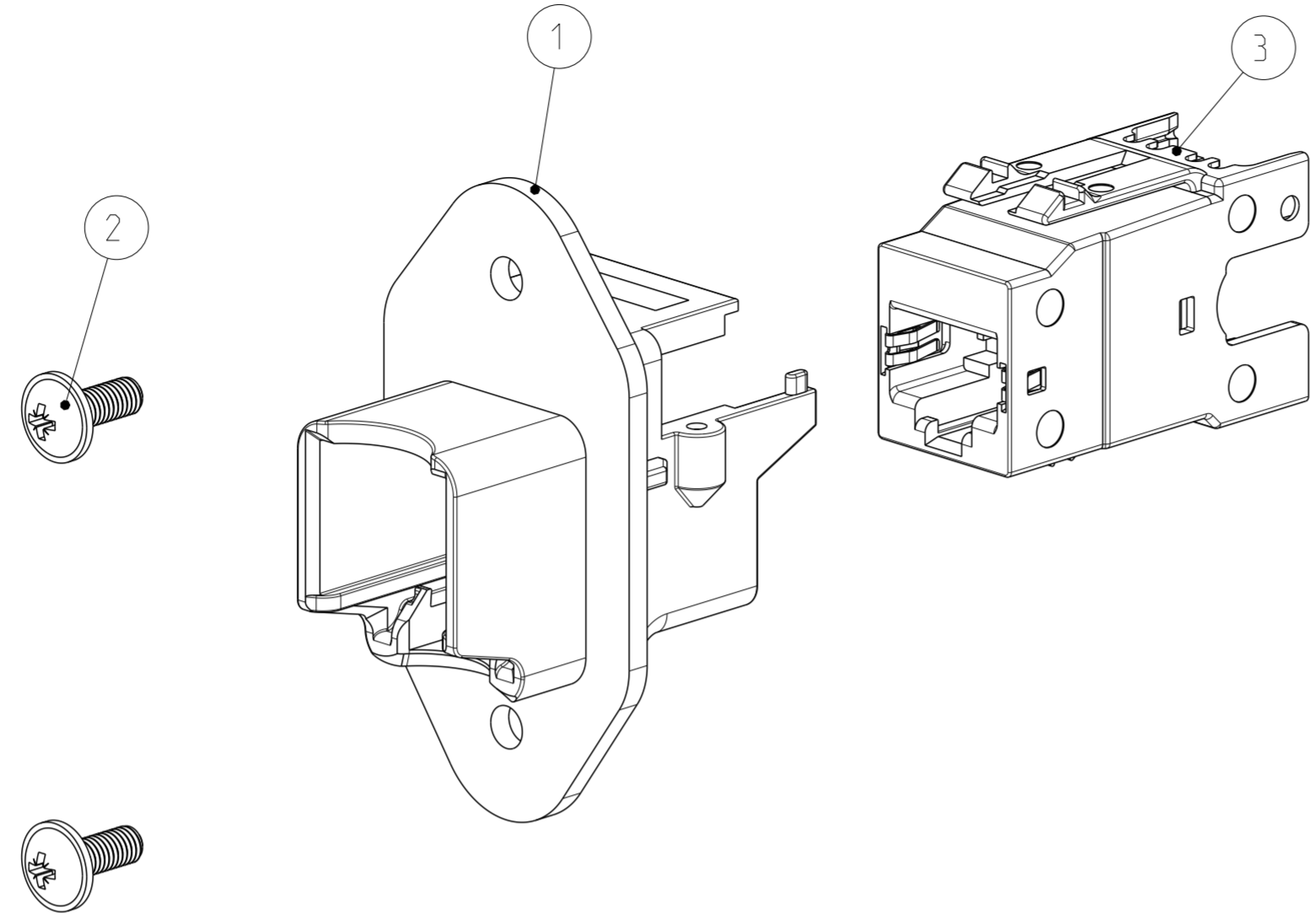


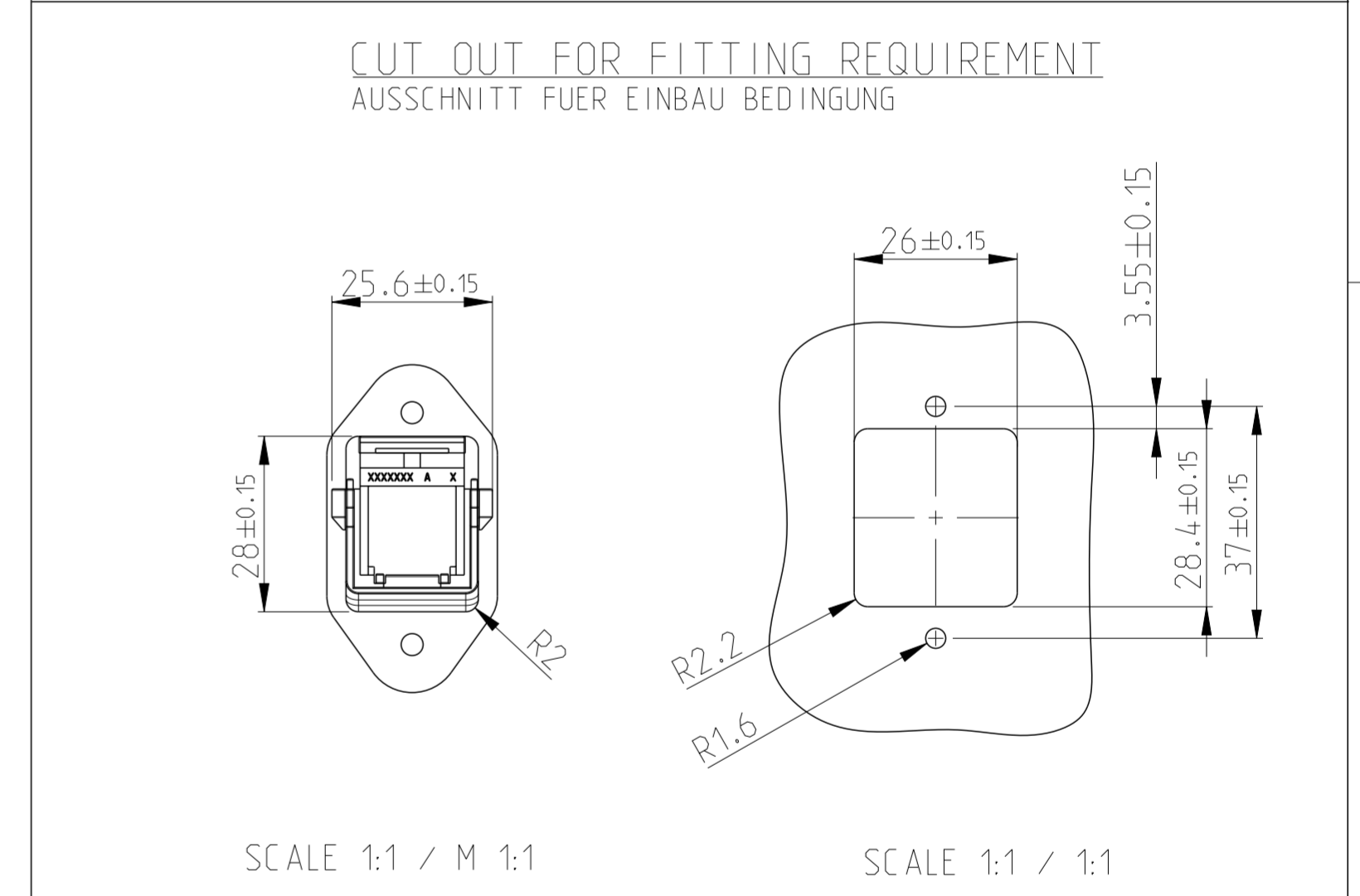
THIS DRAWING IS UNPUBLISHED. RELEASED FOR PUBLICATION 2008  
 © COPYRIGHT 2008 BY - ALL RIGHTS RESERVED.

REVISIONS					
P	LTR	DESCRIPTION	DATE	DWN	APVD
	A4	PN 1987671-2 DISCONTINUED	05JAN2018	TJ	NG



SINGLE PACKING: PLASTIC BAG (MINI GRIP) WITH MANUAL.  
 MULTI PACKING: 50 PIECE ITEM NO. 1 IN CORD TENSIONING BAG+  
 100 PIECE ITEM NO. 2 IN PLASTIC BAG (MINI GRIP) +  
 50 PIECE ITEM NO. 3 FOLDING BOX +  
 PACKED IN CORRUGATED SHIPPING BOX WITH MANUAL.

EINZELVERPACKUNG: KUNSTSTOFFBEUTEL (MINI GRIP) MIT ANLEITUNG.  
 MEHRFACHVERPACKUNG: 50 STUECK POS. 1 IN KORDELZUG BEUTEL +  
 100 STUECK POS. 2 IN KUNSTSTOFFBEUTEL (MINI GRIP) +  
 50 STUECK POS. 3 IN FALTSCHACHTEL +  
 VERPACKT IN VERSANDKARTON MIT ANLEITUNG.



-	-	1	1	-	-	MANUAL	4
-	-	50	1	-	-	AMP SL-TW IST-6S SL JACK	3
-	-	100	2	-	-	ROUND HEAD SCREW M3 x 8	2
-	-	50	1	-	-	FRAME, RJ45 CONNECTOR IP20	1
-	-	-2	-1	DWG. SIZE	PARTNUMBER	DESCRIPTION	ITEM NO
-	-	-	-	← REVISION OF EACH ASSY NO. (WHEN BLANK, USE DWG. REVISION)			
QTY REQD PER ASSY				PARTS LIST			

THIS DRAWING IS A CONTROLLED DOCUMENT.		DWN 24NOV2008 N.Thirunavukkarasu	<b>STE</b> TE Connectivity	
		CHK 24NOV2008 W. BOECK		
DIMENSIONS: mm		APVD 24NOV2008 R.KRAEMER	NAME ASSY, FRAME, RJ45 CONN IP20, CAT6 ASSY, RAHMEN RJ45 CONN IP20, CAT6	
TOLERANCES UNLESS OTHERWISE SPECIFIED:		PRODUCT SPEC	SIZE CAGE CODE DRAWING NO RESTRICTED TO	
0 PLC ±		APPLICATION SPEC	A2100779 C-1987671	
1 PLC ±		WEIGHT -	SCALE 2:1 SHEET 1 OF 1 REV A4	
2 PLC ±		CUSTOMER DRAWING		
3 PLC ±				
4 PLC ±				
ANGLES ±°				
FINISH -				

## X-ON Electronics

Largest Supplier of Electrical and Electronic Components

*Click to view similar products for [Modular Connectors / Ethernet Connectors](#) category:*

*Click to view products by [TE Connectivity](#) manufacturer:*

Other Similar products are found below :

[RJE231881317T](#) [MP1010RX-1000](#) [MP44RX-1000](#) [GAX-3-66](#) [GAX-8-62](#) [93606-0253](#) [GD-A-44](#) [GDCX-PA-66-50](#) [GDCX-PN-64](#) [GDCX-PN-66](#) [GDCX-PN-66-50](#) [GDLX-A-66](#) [GDLX-A-88](#) [GDLX-N-66](#) [GDLX-S-88K](#) [GDTX-S-88-50](#) [GDX-PA-1010](#) [GLX-N-1010M-BLK](#) [GLX-N-44M](#) [GLX-S-88M-BLK](#) [GMX-N-1010](#) [GMX-S-1010](#) [GMX-S-66](#) [GMX-SMT2-N-1010](#) [GMX-SMT2-N-64-50](#) [GMX-SMT2-S6-88](#) [GMX-SMT4-N-88](#) [GPX-2-64](#) [GRT1-BT1-5](#) [GSGX-N-2-88](#) [GSX-NS2-88-3.05](#) [GSX-NS2-88-3.05-50](#) [GSX-NS-88-3.05-30](#) [GSX-NS-88-3.05-50](#) [GSX-NS-88-3.68](#) [1-1775629-2](#) [GWLX-S-88-GR](#) [GWLX-S9-88-YG](#) [1300500326](#) [1300500227](#) [1300530003](#) [1300570002](#) [1324640-4](#) [RJ11FTVC2G](#) [RJ11FTVC2N](#) [RJFTVX2SA1G](#) [132764-001](#) [1400000](#) [1413176](#) [1413235](#)