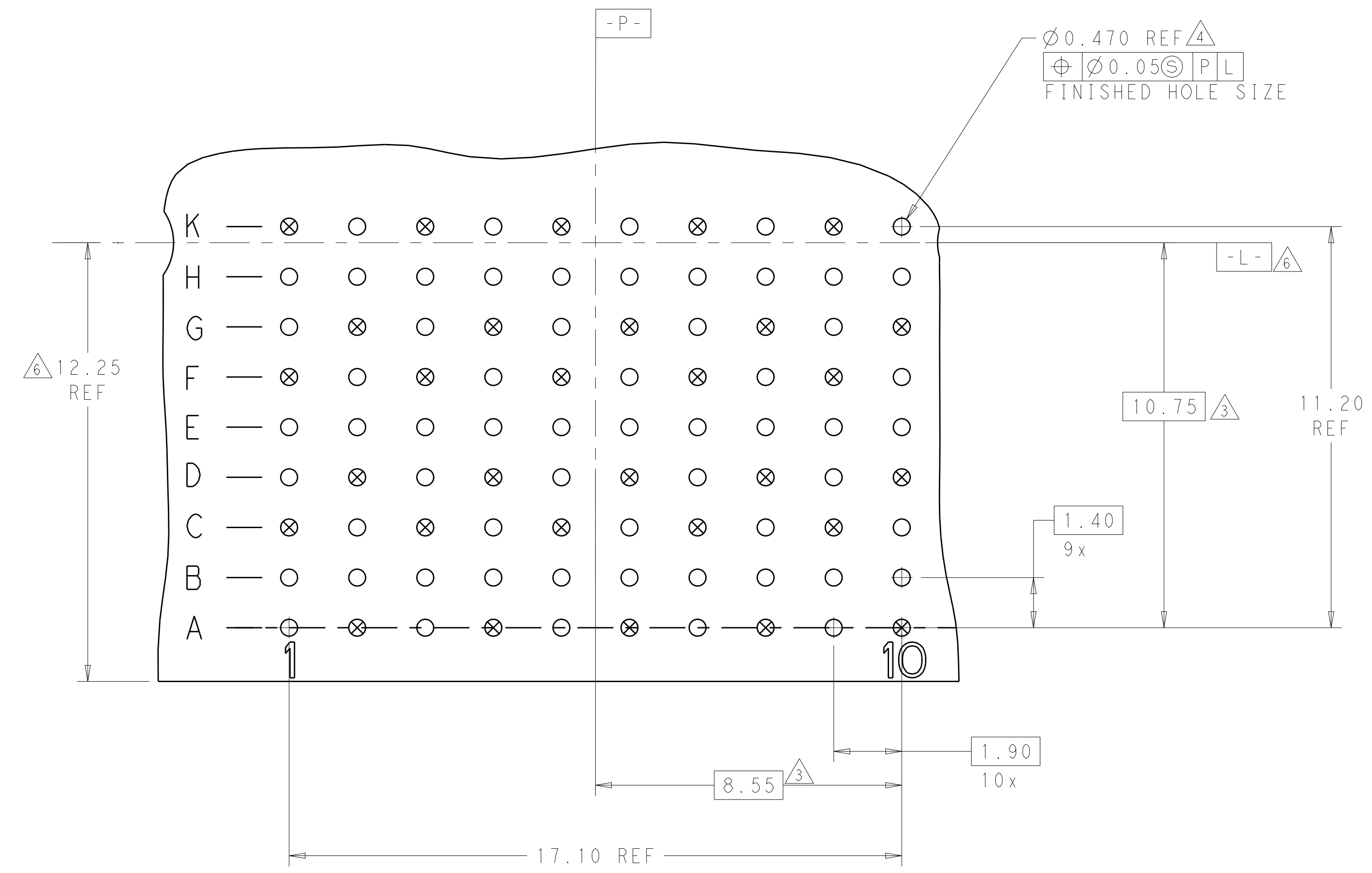


LOC		DIST		REVISIONS			
P	LTN	DESCRIPTION	DATE	DWN	APVD		
D		REV PER ECO 14-018436	12-8-14	CT	DH		

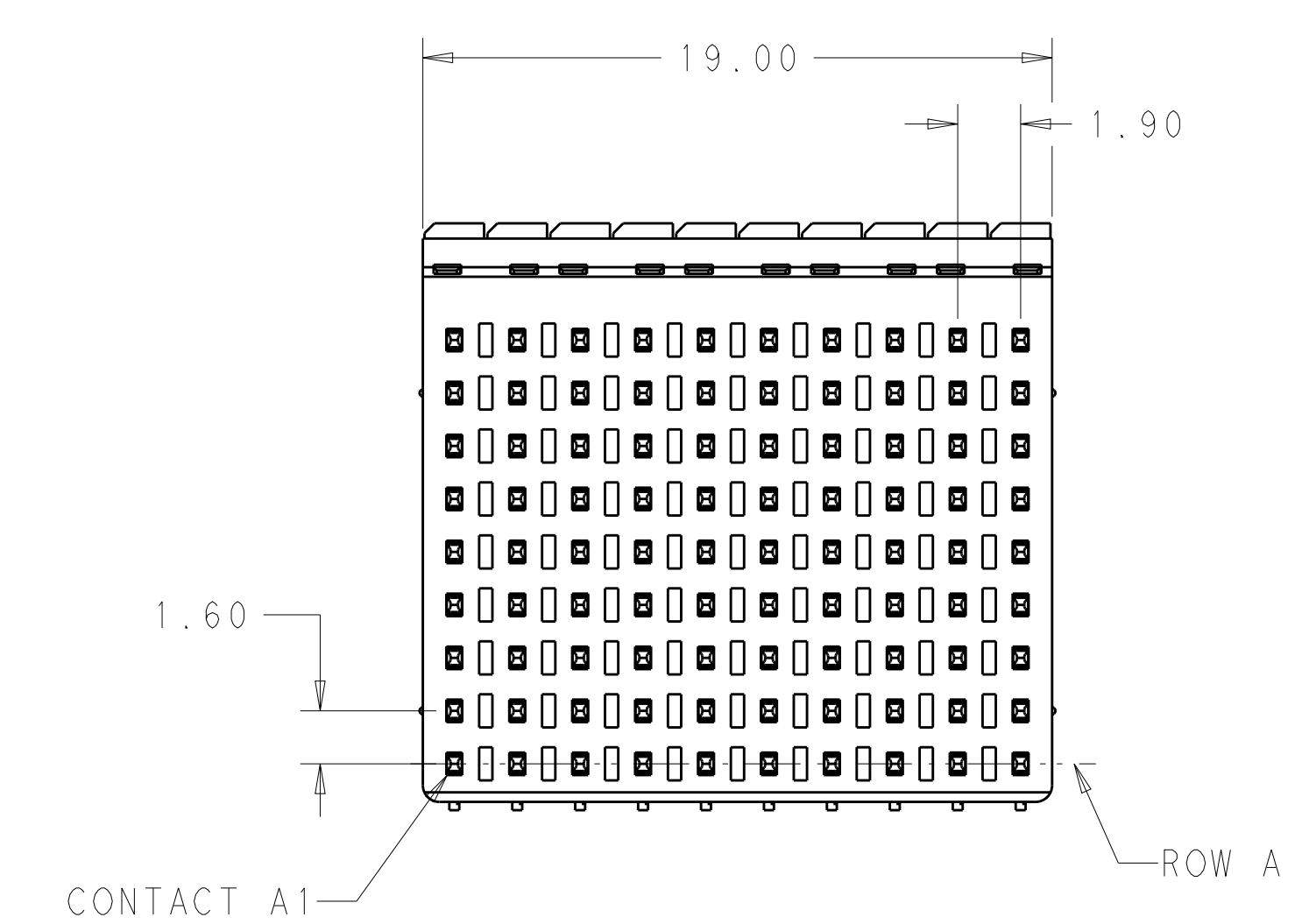
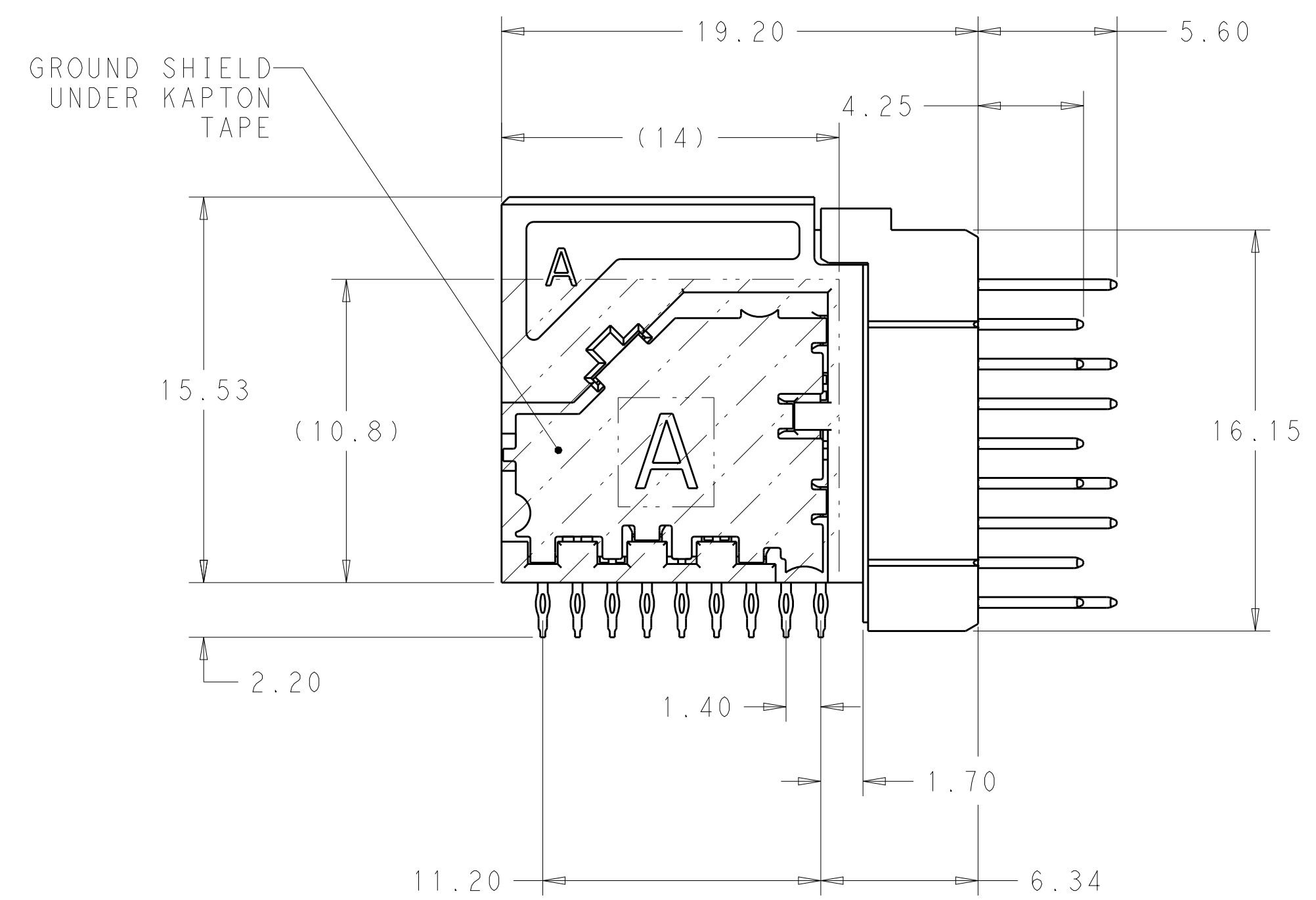


2102436-1, 2102436-3

RECOMMENDED PC BOARD LAYOUT
 COMPONENT SIDE SHOWN
 SCALE 10:1

- = SIGNAL
- ⊗ = GROUND

- 1** MATERIAL:
 CONTACT AND SHIELD: COPPER ALLOY
 HOUSING AND CHICKLET: LCP, COLOR: BLACK
 TAPE: POLYIMIDE FILM WITH SILICONE ADHESIVE
- 2** FINISH:
 CONTACT: MATING AREA: 1.27µm MIN GOLD OVER
 1.27µm MIN NICKEL
 COMPLIANT PIN: 0.5µm MIN MATTE TIN OVER
 1.27µm MIN NICKEL
 SHIELD: 1.27µm MIN NICKEL
- 3** DIMENSION APPLIES TO CENTERLINE OF THRU HOLE
- 4** PER APPLICATION SPEC 114-13267 MANUFACTURING TOLERANCES FOR
 Ø0.46±.06 FINISHED HOLE WITH SnPb PLATING
 DRILLED HOLE = Ø0.55±.025
 Cu PLATING = 0.038±0.013
 SnPb PLATING = 0.008±0.004
 OR
 Ø0.47±.055 FINISHED HOLE WITH OUT SnPb PLATING
 DRILLED HOLE = Ø0.55±.025
 Cu PLATING = 0.038±0.013
- 5** GROUNDS ARE CONNECTED THROUGH GROUNDING SHIELD. GROUNDS DO NOT APPLY TO SINGLE ENDED MODULE.
- 6** SEE PRINT 2102427-1 FOR DIMENSIONS
- 7** FINISH:
 CONTACT: MATING AREA: 1.27µm MIN GOLD OVER
 1.27µm MIN NICKEL
 COMPLIANT PIN: 0.5µm MIN BRIGHT TIN LEAD OVER
 1.27µm MIN NICKEL
 SHIELD: 1.27µm MIN NICKEL

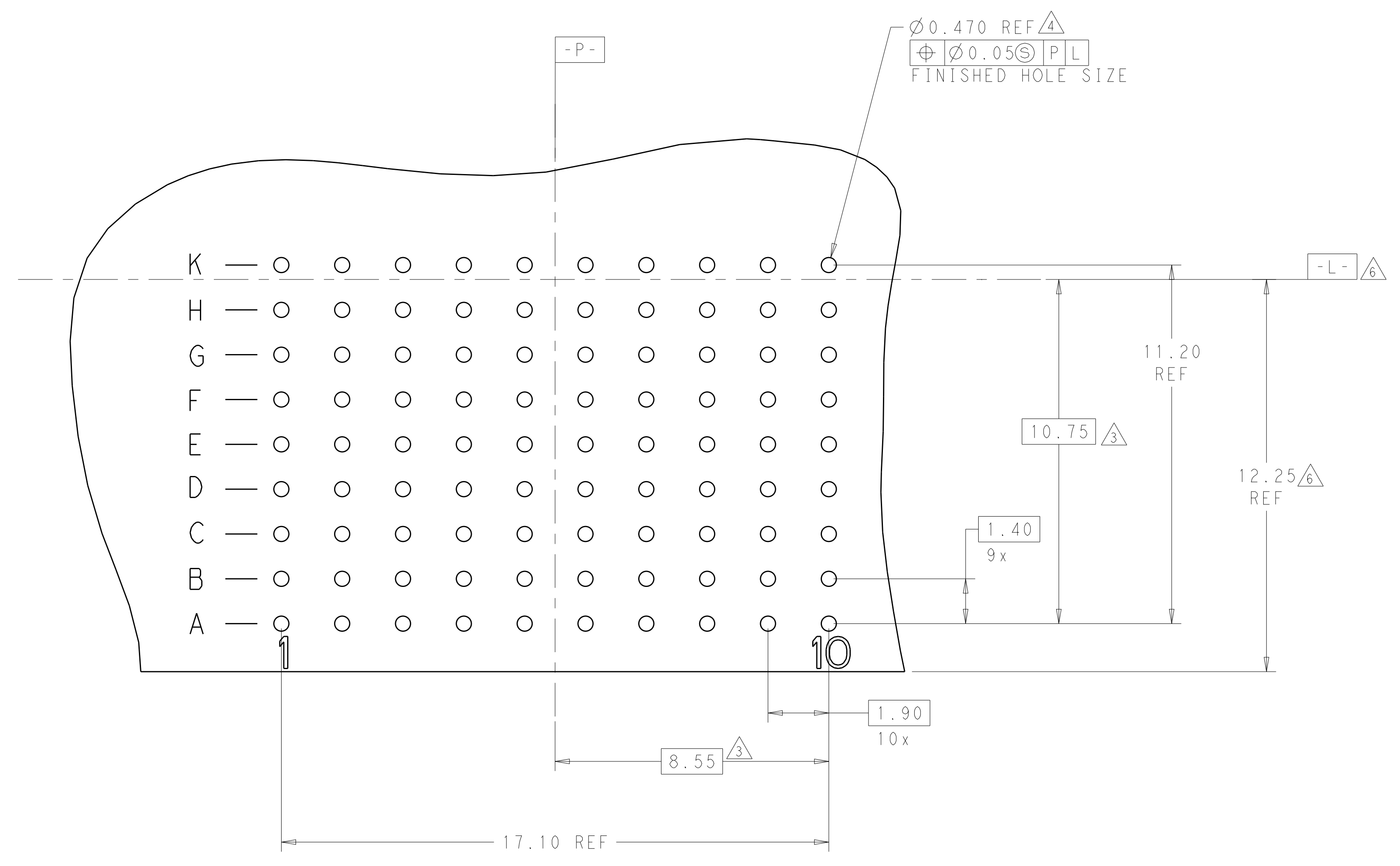


1	SINGLE ENDED	2102436-4
1	DIFFERENTIAL PAIR	2102436-3
2	SINGLE ENDED	2102436-2
2	DIFFERENTIAL PAIR	2102436-1
FINISH	DESCRIPTION	PART NUMBER

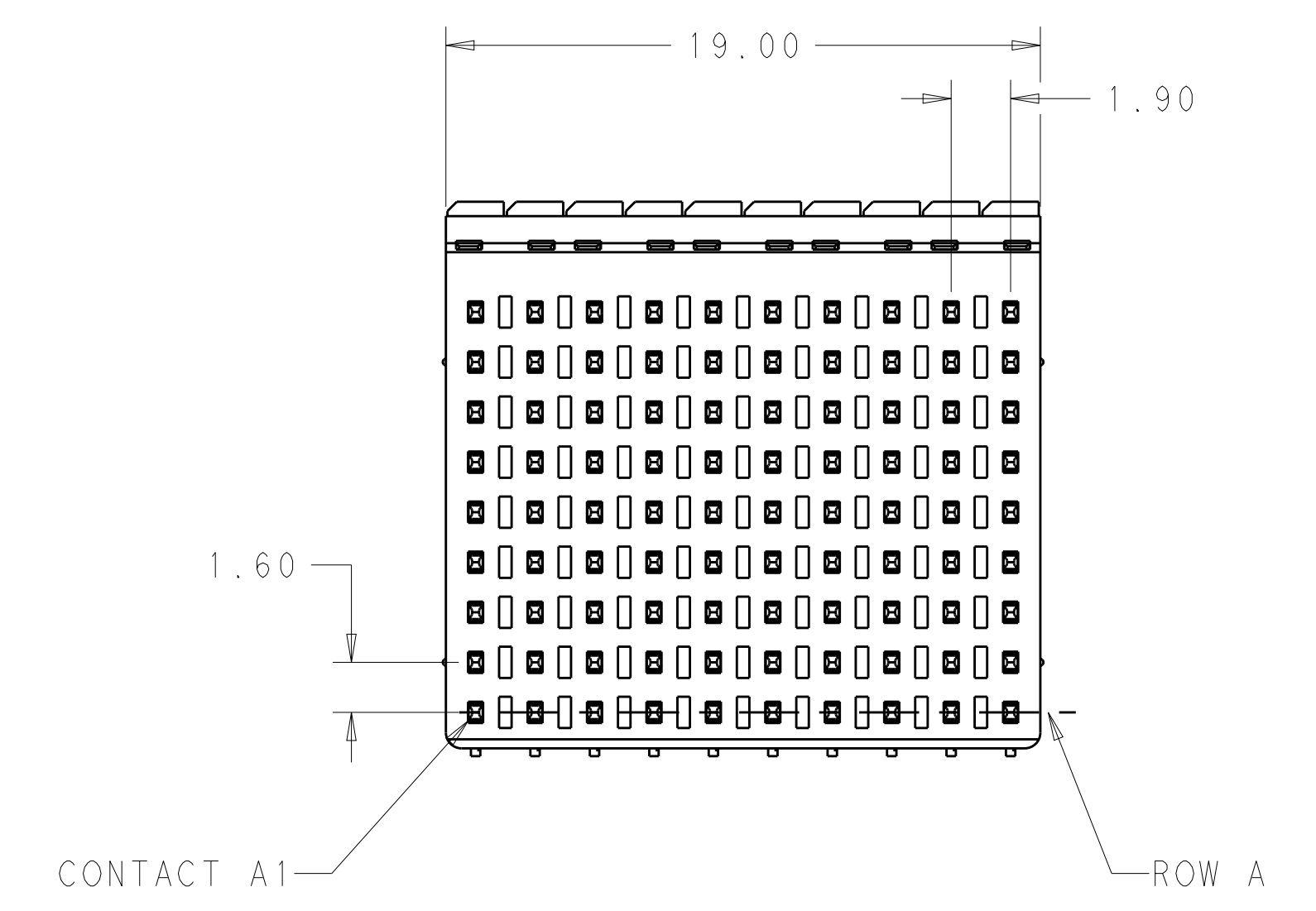
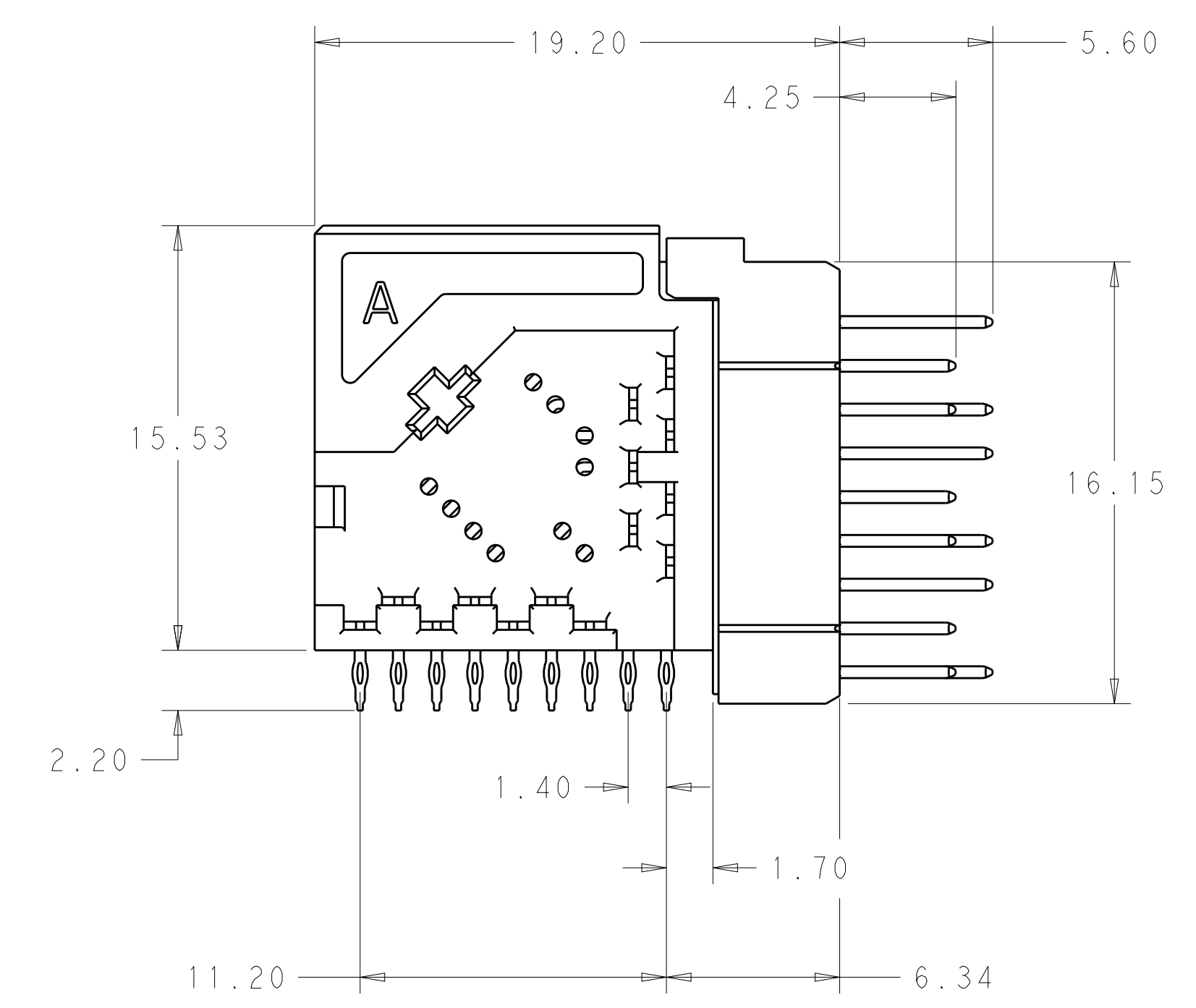
DIMENSIONS:		TOLERANCES UNLESS OTHERWISE SPECIFIED:		MATERIAL:	
mm	0 PLC	±		SEE TABLE	
	1 PLC	±0.13			
	2 PLC	±0.10			
	3 PLC	±			
	4 PLC	±			
	ANGLES	±	±2°		

THIS DRAWING IS A CONTROLLED DOCUMENT.	DWN D. BELACK	TOMAR2011
CHK K. MILLER	APVD K. THACKSTON	NAME
PRODUCT SPEC	108-2409	Fortis Zd, METAL SHELL LRU, RIGHT ANGLE HEADER, MODULE
APPLICATION SPEC	114-13267	SIZE CAGE CODE DRAWING NO
WEIGHT ~12.08 g	A100779	RESTRICTED TO
CUSTOMER DRAWING	SCALE 1:1	SHEET 1 OF 2

LOC	DIST	REV	DATE	BY	APPV
-	-	-	-	-	-
REVISIONS					



2102436-2, 2102436-4



THIS DRAWING IS A CONTROLLED DOCUMENT.		OWN: D. BELACK 10MAR2011	TE Connectivity NAME: Fortis Zd. METAL SHELL LRU, RIGHT ANGLE HEADER, MODULE
DIMENSIONS: mm		CHK: K. MILLER	
TOLERANCES UNLESS OTHERWISE SPECIFIED:		APVD: K. THACKSTON	PRODUCT SPEC: 108-2409
0 PLC ±0.13 1 PLC ±0.10 2 PLC ±0.10 3 PLC ±0.10 4 PLC ±0.10 ANGLES ±2°		APPLICATION SPEC: 114-13267	SIZE: A1
MATERIAL: SEE TABLE		WEIGHT: g	RESTRICTED TO: -
		Customer Drawing	SCALE: 10:1 SHEET 2 OF 2 REV D

X-ON Electronics

Largest Supplier of Electrical and Electronic Components

Click to view similar products for [High Speed/Modular Connectors](#) category:

Click to view products by [TE Connectivity](#) manufacturer:

Other Similar products are found below :

[2332816-1](#) [89006-1137LF](#) [650827-1](#) [65762-001LF](#) [73474-201LF](#) [74040-1346](#) [74075-0267](#) [1410191-1](#) [1410337-1](#) [1410368-3](#) [1410964-2](#)
[1410367-3](#) [1410971-4](#) [1467833-1](#) [2000877-1](#) [2000878-1](#) [2041314-1](#) [2065387-1](#) [2187307-1](#) [2187462-1](#) [2226278-6](#) [KA81-07](#) [91290-101LF](#)
[163P](#) [1934290-1](#) [2000875-1](#) [2065917-1](#) [2102736-2](#) [FSR-40](#) [2169868-2](#) [2226279-2](#) [22354-8](#) [437-5040-000](#) [5-1393565-0](#) [532449-3](#) [532803-](#)
[2](#) [34745-0001](#) [0736440217](#) [1-1393708-5](#) [72388-0021LF](#) [73774-1000](#) [532939-1](#) [5-531355-3](#) [5532901-3](#) [85838-180LF](#)
[HM1S43TRR460H6PLF](#) [0760205010](#) [1-966831-4](#) [3-1469268-7](#) [77427-121LF](#)