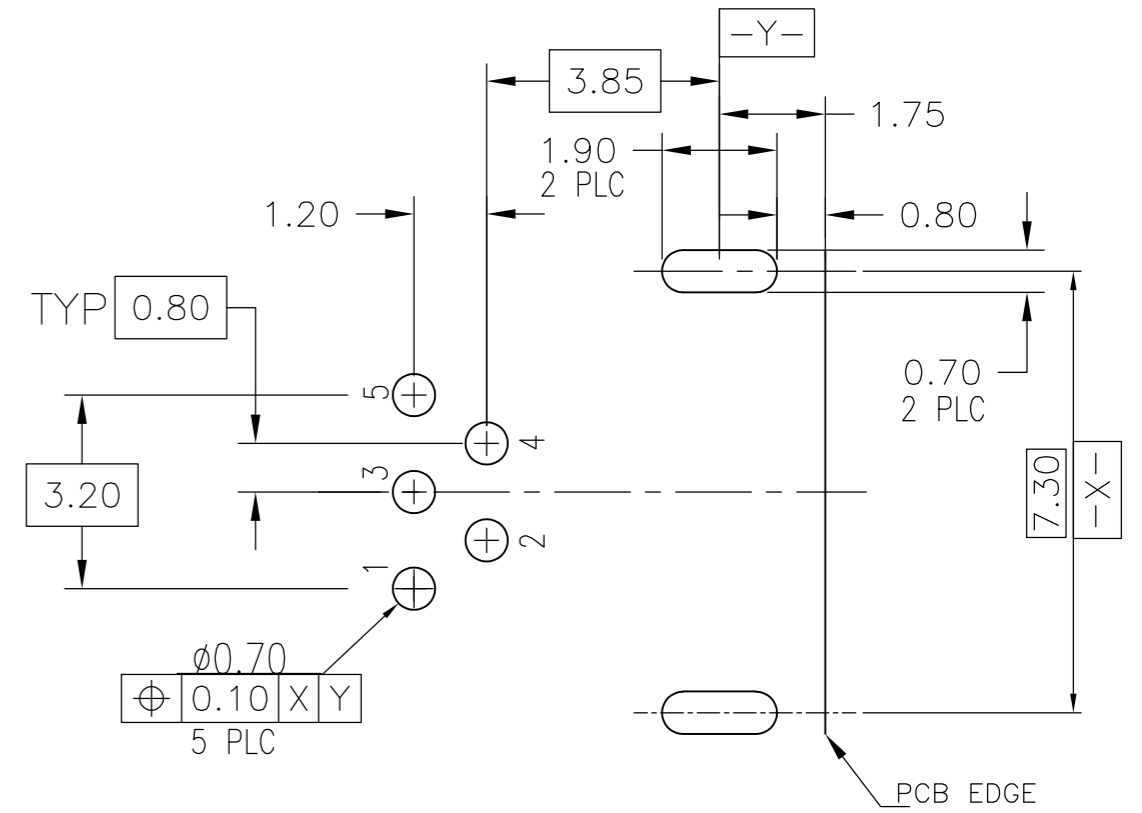
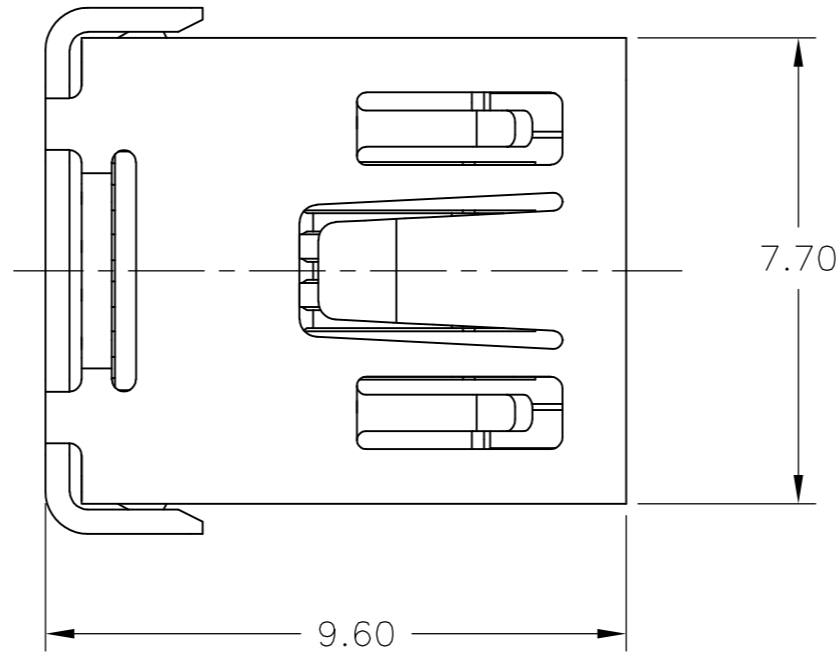
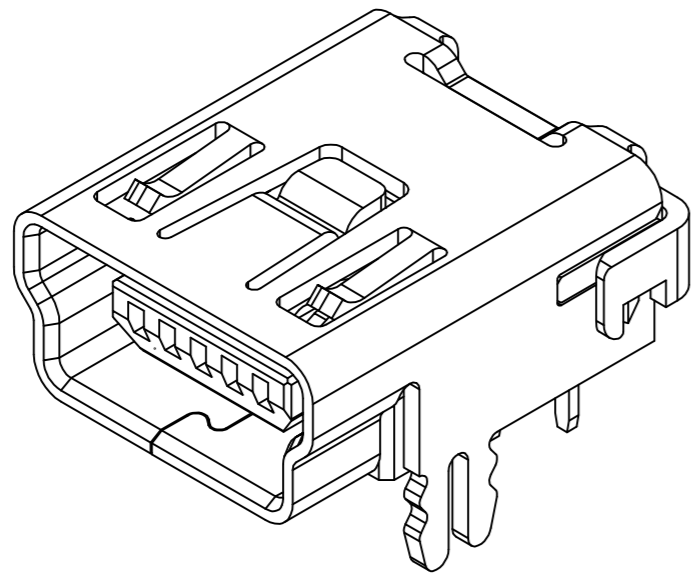
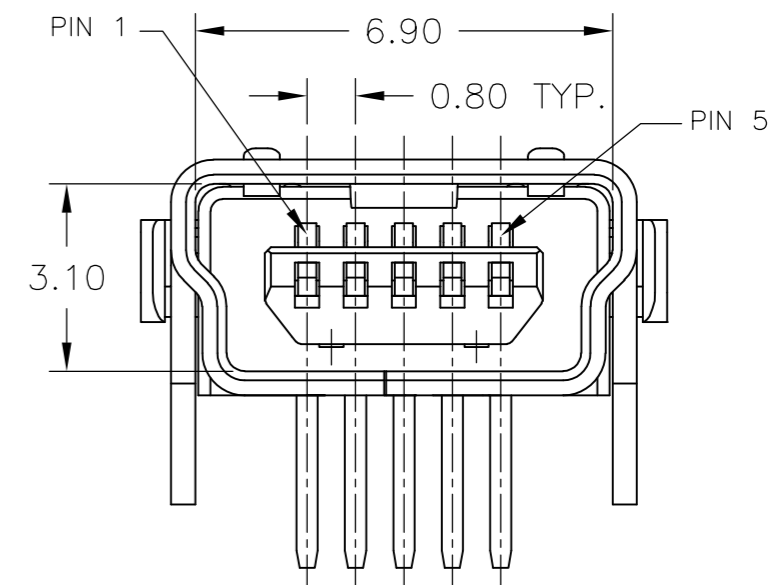
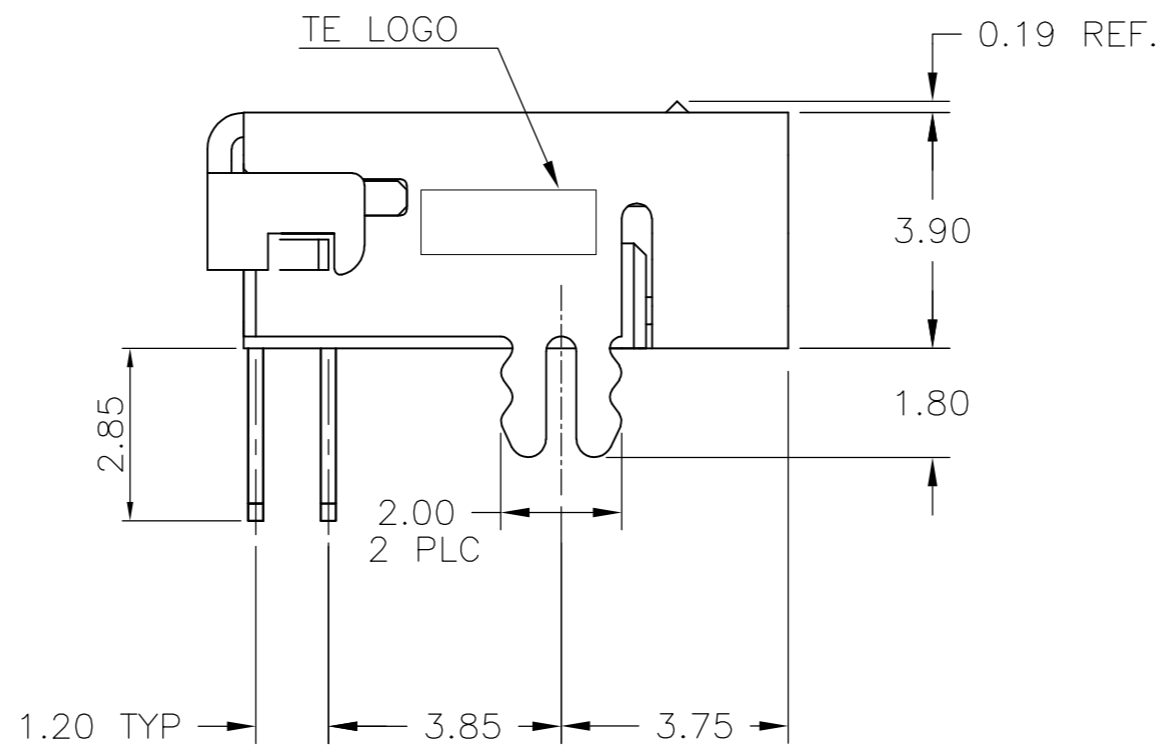
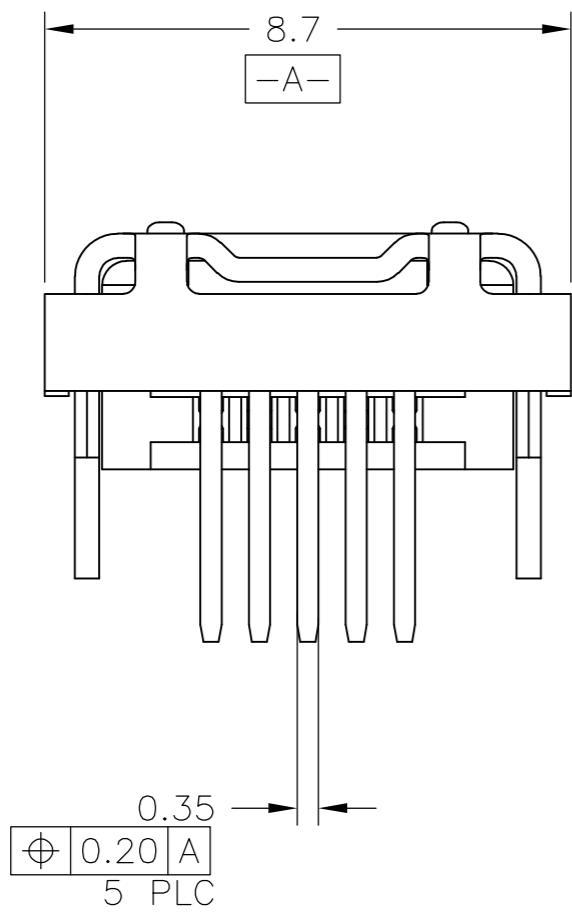


THIS DRAWING IS UNPUBLISHED. RELEASED FOR PUBLICATION
 © COPYRIGHT - By - ALL RIGHTS RESERVED.

LOC		DIST		REVISIONS			
P	LTR	DESCRIPTION		DATE	DWN	APVD	
-	-	A	REVISED PER ECO-13-005557	29MAR2013	KH	MB	



RECOMMENDED P.C.B LAYOUT (TOP VIEW)
 (TOLERANCE:±0.05; THICKNESS IS 1.60mm)



- MATERIAL :
 HOUSING: PBT WITH 30% GLASS FILLED, 15% REGRIND MAX, UL 94V-0,COLOR BLACK.
 CONTACT: PHOSPHOR BRONZE.
 SHIELD: PHOSPHOR BRONZE.
- FINISH :
 CONTACT:GOLD FLASH OVER.
 0.762um (30u") MIN PALLADIUM-NICKEL PLATING ON CONTACT AREA.
 2.54um (100u') MIN MATTE TIN PLATED ON SOLDER TAILS
 1.27um (50u') MIN NICKEL UNDERPLATED ALL OVER.
 SHIELD: 1.27um(50u') MIN NICKEL PLATED ALL OVER.
- RECOMMENDED PCB THICKNESS :1.60mm.
- WAVE SOLDER CAPABLE TO 265 C PER TE SPEC 109-202,CONDITION B.
- PARTS NOT YET QUALIFIED

2172034-1
 PART NUMBER

THIS DRAWING IS A CONTROLLED DOCUMENT.		DWN	22FEB2013		TE Connectivity		
DIMENSIONS: mm		CHK	22FEB2013		NAME		
TOLERANCES UNLESS OTHERWISE SPECIFIED:		APVD	22FEB2013		MINI USB CONN,RCPT,R/A,DIP,B TYPE		
0 PLC ± 0.38 1 PLC ± 0.30 2 PLC ± 0.20 3 PLC ± 0.10 4 PLC ± - ANGLES ± 30°		PRODUCT SPEC			SIZE	CAGE CODE	DRAWING NO
MATERIAL SEE NOTE		FINISH SEE NOTE		WEIGHT 0.665 GRAMS		RESTRICTED TO	
		CUSTOMER DRAWING		A2 00779		SCALE 1:1 SHEET 1 of 2 REV A	

THIS DRAWING IS UNPUBLISHED. RELEASED FOR PUBLICATION
 © COPYRIGHT - By - ALL RIGHTS RESERVED.

LOC		DIST		REVISIONS			
P	LTR	DESCRIPTION	DATE	DWN	APVD		
-	-	SEE SHEET 1	-	-	-		

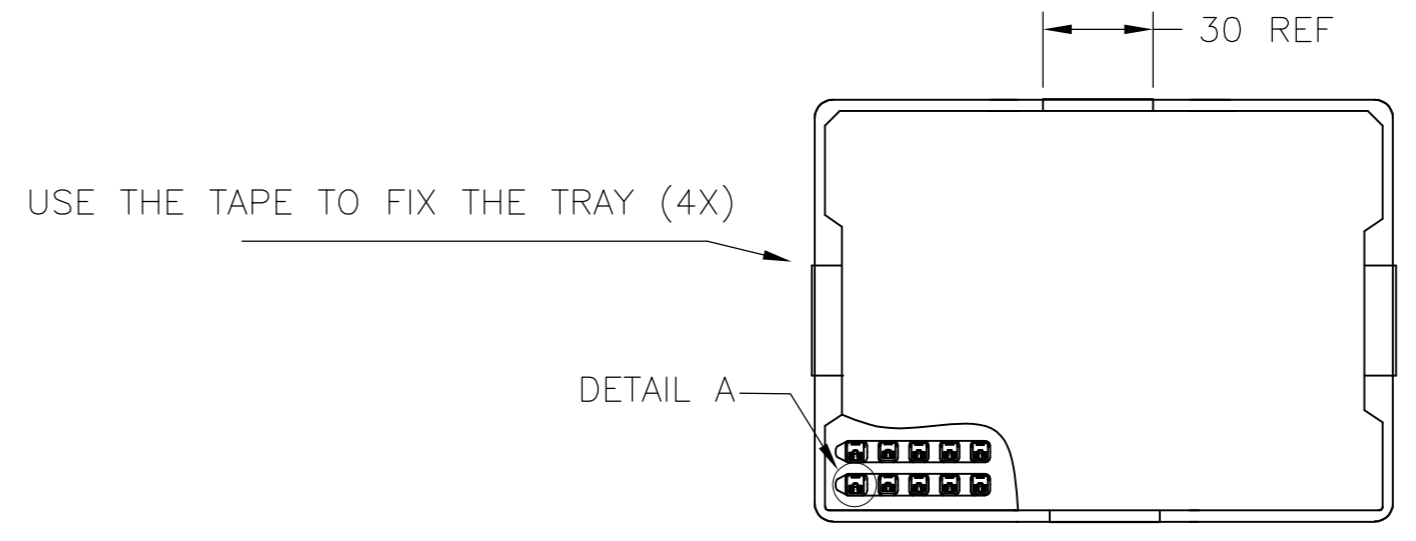
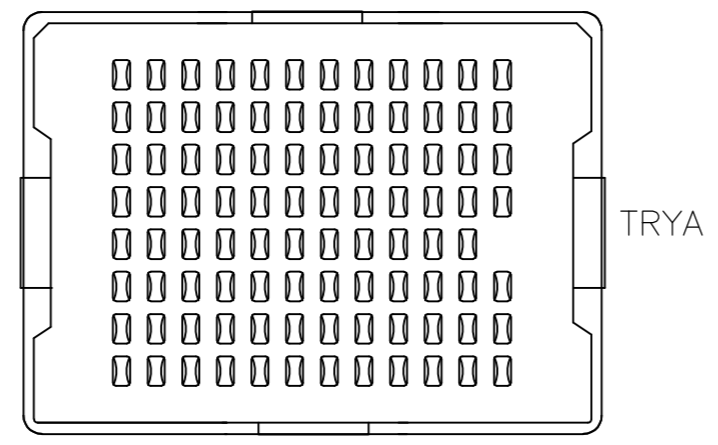
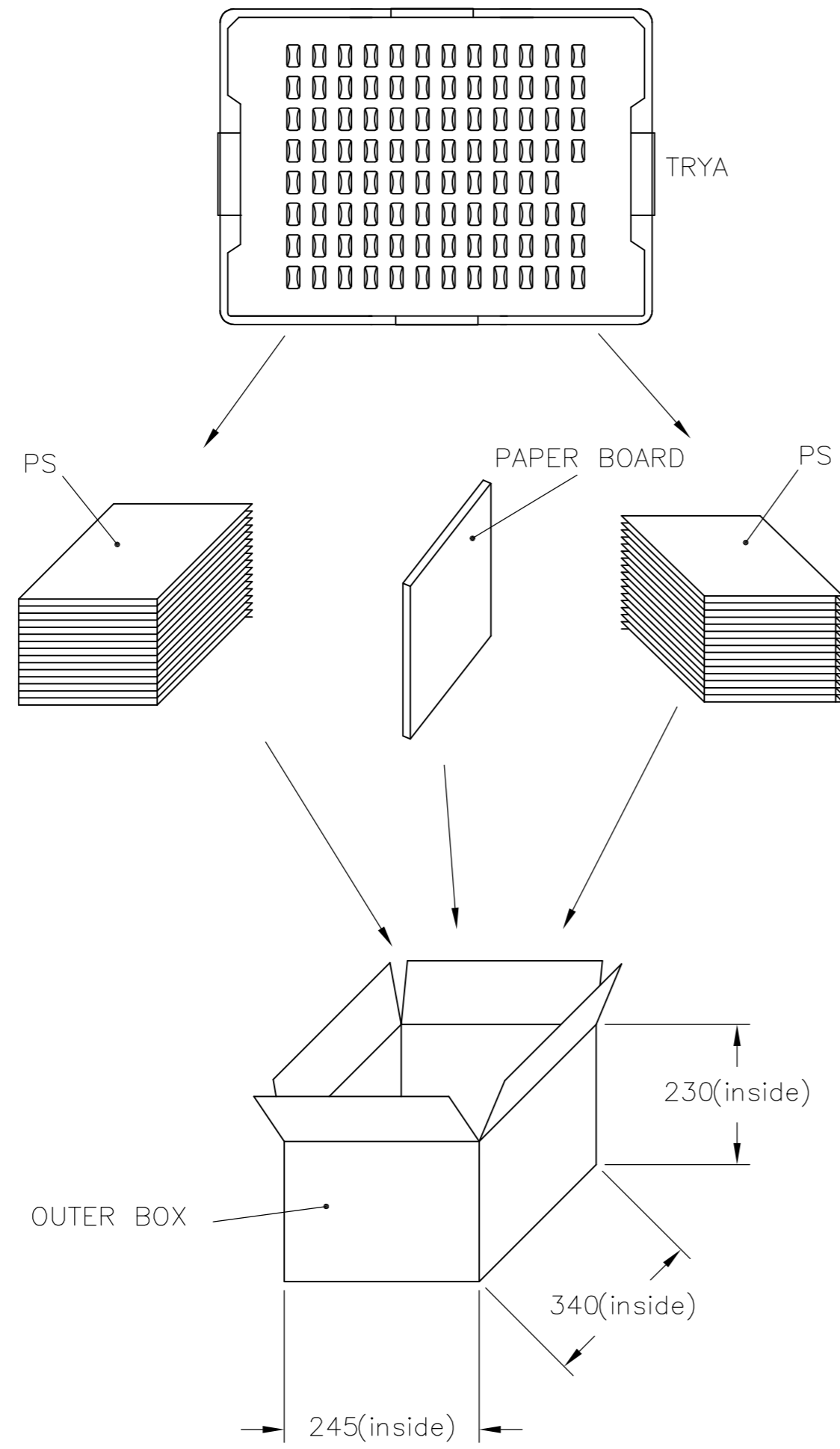
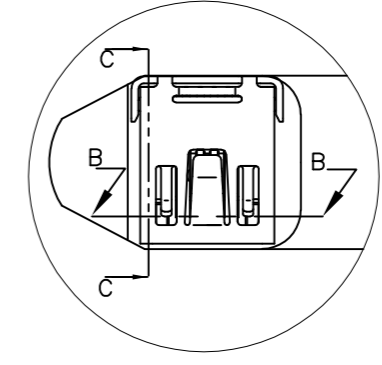


FIGURE E
HEIGHT : 8mm



DETAIL A
(SCALE 8:1)

6.2 Kg	3.5 Kg	95	46	4370 PCS
GROSS WEIGHT	NET WEIGHT	PCS/TRAY	TRAYS /CARTON	QUANTITY

THIS DRAWING IS A CONTROLLED DOCUMENT.		DWN 22FEB2013 KIRAN HOLAL	TE Connectivity															
DIMENSIONS: mm		CHK 22FEB2013 BRUBAKER MARK	NAME MINI USB CONN,RCPT,R/A,DIP,B TYPE															
TOLERANCES UNLESS OTHERWISE SPECIFIED:		APVD 22FEB2013 BRUBAKER MARK																
<table border="0"> <tr><td>0 PLC</td><td>± 0.38</td></tr> <tr><td>1 PLC</td><td>± 0.30</td></tr> <tr><td>2 PLC</td><td>± 0.20</td></tr> <tr><td>3 PLC</td><td>± 0.10</td></tr> <tr><td>4 PLC</td><td>± -</td></tr> <tr><td>ANGLES</td><td>± 30°</td></tr> </table>		0 PLC	± 0.38	1 PLC	± 0.30	2 PLC	± 0.20	3 PLC	± 0.10	4 PLC	± -	ANGLES	± 30°	PRODUCT SPEC	SIZE	CAGE CODE	DRAWING NO	RESTRICTED TO
0 PLC	± 0.38																	
1 PLC	± 0.30																	
2 PLC	± 0.20																	
3 PLC	± 0.10																	
4 PLC	± -																	
ANGLES	± 30°																	
MATERIAL SEE NOTE		FINISH SEE NOTE	WEIGHT 0.665 GRAMS	A2 00779	C=2172034	-												
		CUSTOMER DRAWING		SCALE 1:1	SHEET 2 OF 2	REV A												

X-ON Electronics

Largest Supplier of Electrical and Electronic Components

Click to view similar products for [USB Connectors](#) category:

Click to view products by [TE Connectivity](#) manufacturer:

Other Similar products are found below :

[10033527-N3112MLF](#) [17-210561](#) [GMCB05B11124H1EU](#) [17-200931](#) [65-647-8-BK-BU](#) [690-010-295-484](#) [73725-1191BLF](#) [950](#) [E8144-B01021-L](#) [A-USB A-LP-SMT-C](#) [A-USB B-TOP-C](#) [MUSBA511N5](#) [MUSBB15131](#) [MUSBC111M5](#) [MUSBD11135](#) [217450-1](#) [CA 6 W LD](#) [896-30-004-00-000000](#) [KUSBVX-BS1N-W30](#) [KUSBX-AP-KIT-SCBLK](#) [KUSBX-AS2N-W](#) [KUSBX-SMT2AP1S-W](#) [KUSBX-SMTBS1NBTR](#) [30-498-6](#) [SK-60A-2](#) [17-200261](#) [17-210051](#) [1734082-1](#) [FK-37-32SL](#) [30-1574](#) [30-470](#) [30-489](#) [30-572-3](#) [30-9503](#) [M9177/2-1](#) [MAB 5 S](#) [MIKROE-1451](#) [33UBBR-04SW11R](#) [USBFTV2PEM2G](#) [USBFTVC6ZN](#) [USBFTVSCCG](#) [KUSBX-AS2N-W30](#) [KUSBX-SLAS1N-W](#) [KUSBX-SLAS1N-W30](#) [1-1734084-2](#) [E8110-001-01](#) [MUSBC11135](#) [33UBAR-04SW11](#) [USBF21ZNSCC](#) [USBBFTV6ZC](#)